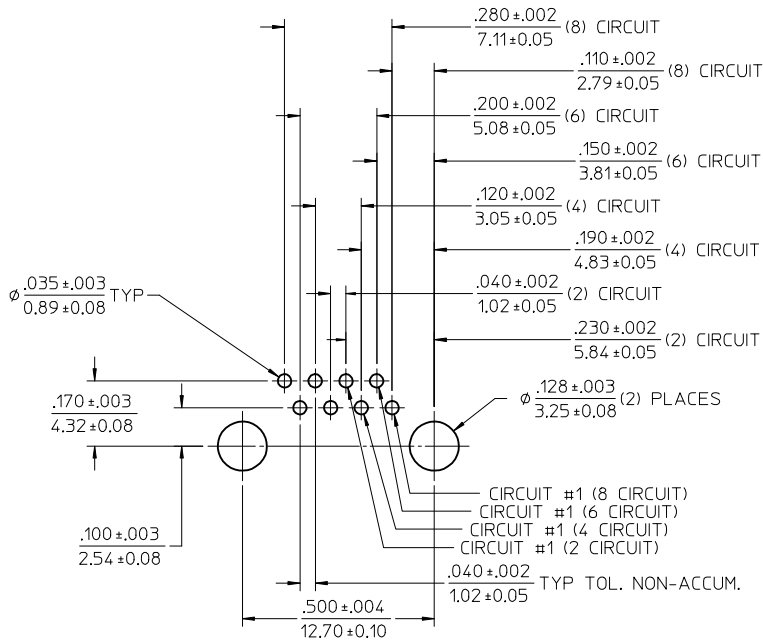
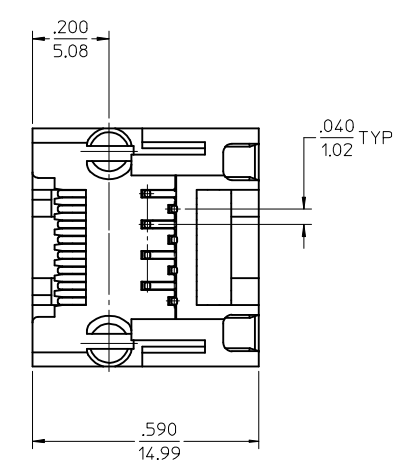
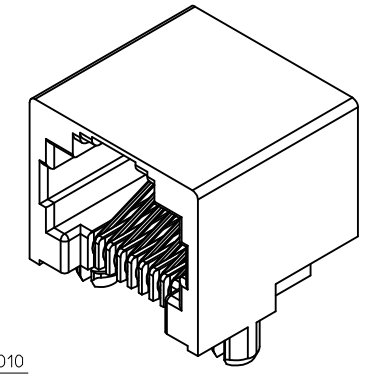
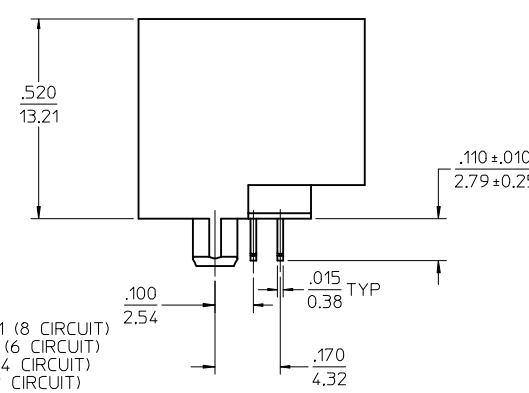
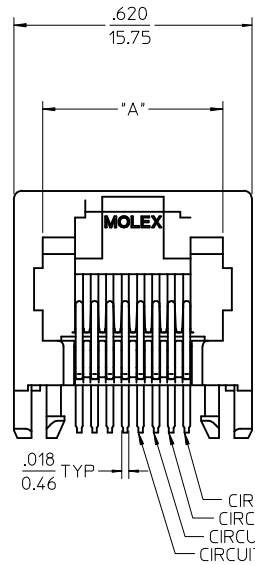


NOTES:

- 1) MATERIAL:  
HOUSING: NYLON(IPA), GLASS FILLED, UL94V-0, COLOR: SEE CHART  
TERMINALS: PHOSPHOR BRONZE
- 2) FINISH:  
TERMINALS:  
SELECT GOLD IN CONTACT AREA: 50 MICROINCHES (1.27 MICROMETERS) MIN.  
SELECT TIN IN PC TAIL AREA: 100 MICROINCHES (2.54 MICROMETERS) MIN.,  
WITH OVERALL NICKEL UNDERPLATE: 50 MICROINCHES (1.27 MICROMETERS) MIN.
- 3) PRODUCT SPECIFICATION: PS-43860-003.
- 4) PACKAGING SPECIFICATION:  
CONNECTOR ASSEMBLIES PACKAGED IN EXTRUDED TUBES PER MOLEX  
PACKAGING SPECIFICATION PK-43860-004.
- 5) ALL UNTOLERANCED DIMENSIONS ARE SHOWN FOR REFERENCE ONLY.
- 6) CONFORMS TO FCC REGULATION PART 68.5 FOR MODULAR JACKS.
- 7) THIS PART CONFORMS TO CLASS B REQUIREMENTS OF COSMETIC  
SPECIFICATION PS-45499-002.

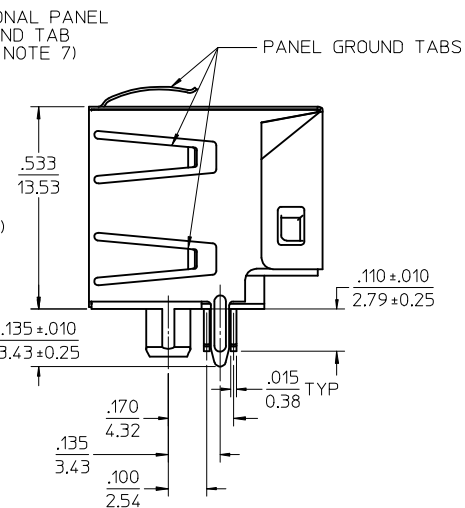
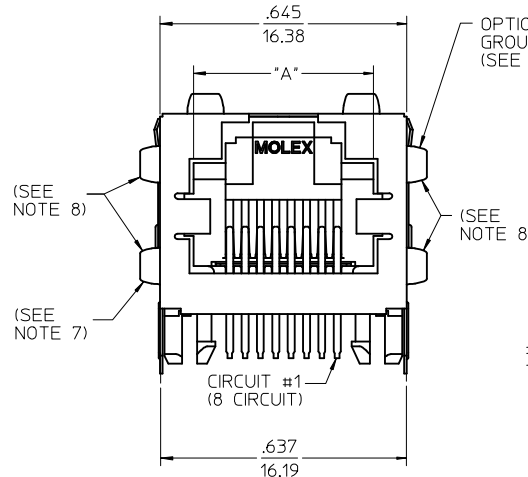
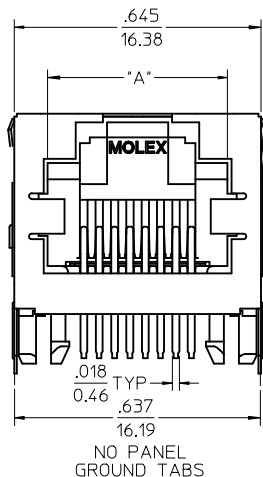
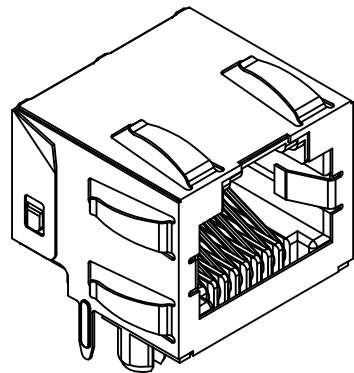


PC BOARD LAYOUT  
COMPONENT SIDE OF BOARD  
RECOMMENDED PCB THICKNESS .062±.005/1.57±.013



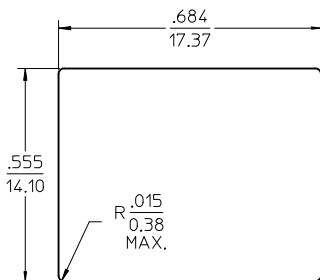
ASSEMBLY MAT. NUM.	CONNECTOR SIZE	DIM "A"	CIRCUITS	HOUSING COLOR
43860-0001	8	.469/11.91	8	BLACK
43860-0002	6	.389/9.88	6	BLACK
43860-0003	6	.389/9.88	4	BLACK
43860-0020	6	.389/9.88	2	BLACK

OBSOLETE PN IEC NO: UCP2017-0469 DRW:NAFENG02 2016/08/30 CHKD: APPR:KLANG 2016/08/31	QUALITY SYMBOLS	GENERAL TOLERANCES (UNLESS SPECIFIED)	DIMENSION STYLE IN/MM	SCALE 4:1	DESIGN UNITS INCH	THIRD ANGLE PROJECTION
	▽=0	mm INCH	DRAWN BY TALEND	DATE 1997/02/13	TITLE INVERTED MODULAR JACK ASSEMBLY	
	▽=0	4 PLACES ± --- ± --- 3 PLACES ± --- ± .010 2 PLACES ± 0.25 ± --- 1 PLACE ± --- ± --- 0 PLACE ± ±	CHECKED BY ROBERTS	DATE 1997/03/03	MATERIAL NO. SEE CHART	
	▽=0	ANGULAR ±1/2°	APPROVED BY FRY	DATE 1997/03/04	DOCUMENT NO. SD-43860-001	SHEET NO. 1 OF 5
H10	REV	DRAFT WHERE APPLICABLE MUST REMAIN WITHIN DIMENSIONS	THIS DRAWING CONTAINS INFORMATION THAT IS PROPRIETARY TO MOLEX INCORPORATED AND SHOULD NOT BE USED WITHOUT WRITTEN PERMISSION			

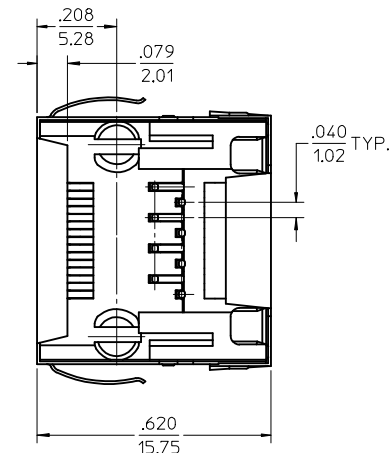
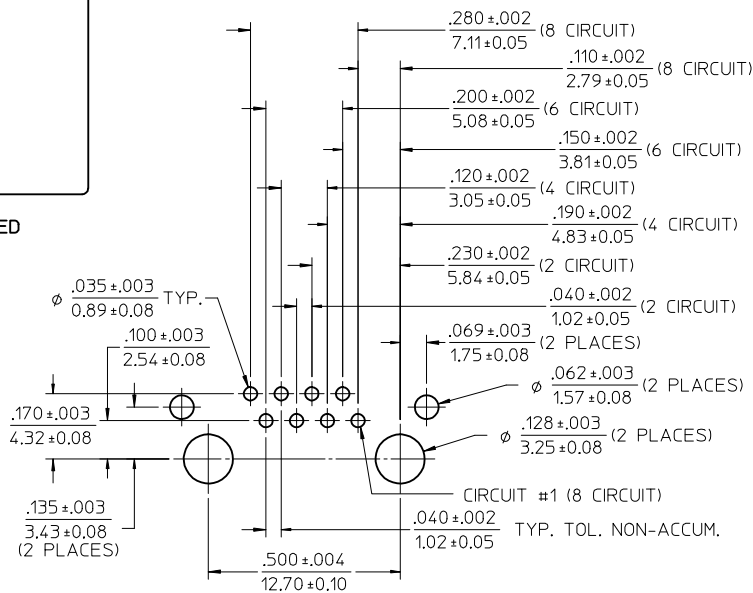


NOTES:

- 1) MATERIAL:  
HOUSING: NYLON(PA), GLASS FILLED, UL94V-0,  
COLOR: BLACK  
TERMINALS: PHOSPHOR BRONZE  
SHIELD: BRASS
- 2) FINISH:  
TERMINALS:  
SELECT GOLD IN CONTACT AREA: 50 MICROINCHES/  
1.27 MICROMETERS MIN.,  
SELECT TIN IN PC TAIL AREA: 100 MICROINCHES/  
2.54 MICROMETERS MIN.,  
WITH OVERALL NICKEL UNDERPLATE: 50 MICROINCHES/  
1.27 MICROMETERS MIN.  
SHIELD:  
100 MICROINCHES/2.54 MICROMETERS NICKEL OVER  
50 MICROINCHES/1.27 MICROMETERS COPPER  
UNDERPLATE, PCB GROUND TABS DIPPED IN TIN
- 3) PRODUCT SPECIFICATION: PS-43860-003.
- 4) PACKAGING SPECIFICATION:  
CONNECTOR ASSEMBLIES PACKAGED IN THERMOFORMED TRAYS  
PER MOLEX PACKAGING SPECIFICATION PK-43860-005.  
43860-5025 CONNECTOR ASSEMBLIES PACKAGED IN TAPE AND  
REEL PER MOLEX PACKAGING SPECIFICATION PK-70873-700\*
- 5) ALL UNTOLERANCED DIMENSIONS ARE SHOWN FOR REFERENCE ONLY.
- 6) CONFORMS TO FCC REGULATION PART 68.5 FOR MODULAR JACKS.
- 7) AVAILABLE WITH THE (2) SPECIFIED PANEL GROUND TABS  
OMITTED FOR SIDE TO SIDE STACKABILITY, PER THE ASSEMBLY  
MATERIAL NUMBER TABLE.
- 8) AVAILABLE WITH TOP PANEL GROUND TABS ONLY, PER THE  
ASSEMBLY MATERIAL NUMBER TABLE.
- 9) THIS PART CONFORMS TO CLASS B REQUIREMENTS OF COSMETIC  
SPECIFICATION PS-45499-002.

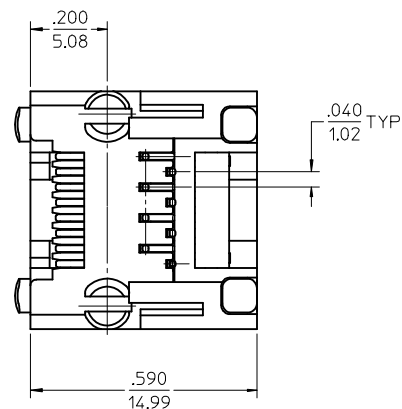
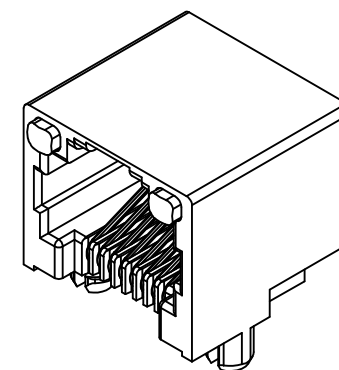
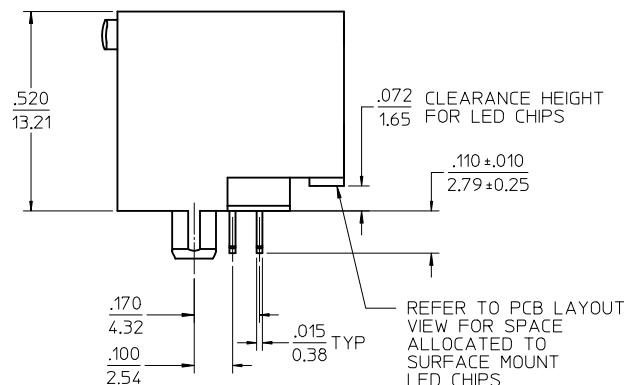
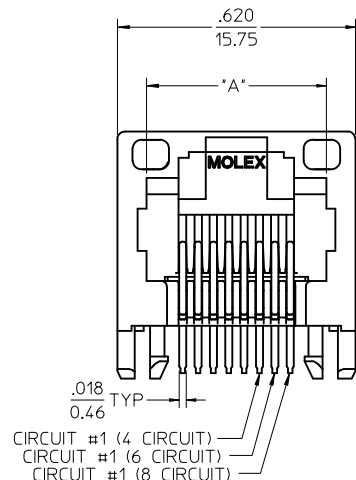


RECOMMENDED  
PANEL  
OPENING



ASSEMBLY MAT. NUM.	CONNECTOR SIZE	DIM "A"	CIRCUITS	PANEL GROUND TABS	PACKAGING OPTION
43860-0004	8	.469/11.91	8	ALL	TRAY
43860-0005	6	.389/9.88	6	ALL	TRAY
43860-0006	6	.389/9.88	4	ALL	TRAY
43860-0013	8	.469/11.91	8	SEE NOTE #7	TRAY
43860-0014	6	.389/9.88	6	SEE NOTE #7	TRAY
43860-0025	8	.469/11.91	8	NONE	TRAY
43860-0026	6	.389/9.88	6	NONE	TRAY
43860-0027	6	.389/9.88	4	NONE	TRAY
43860-0031	8	.469/11.91	8	SEE NOTE #8	TRAY
43860-5025	8	.469/11.91	8	NONE	TAPE

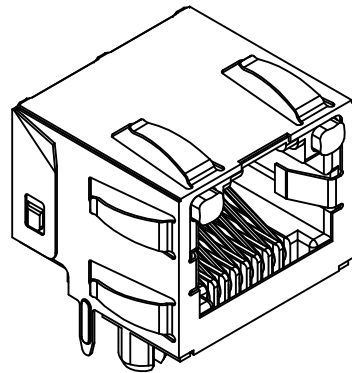
SEE SHEET 1 EC NO: UCP2017-0469 DRW:WAFENG02 2016/08/30 CHKD: APPR:KLANG 2016/08/31 REV: H10	QUALITY SYMBOLS	GENERAL TOLERANCES (UNLESS SPECIFIED)	DIMENSION STYLE IN/MM	SCALE 4:1	DESIGN UNITS INCH	THIRD ANGLE PROJECTION
	▽=0	4 PLACES ± --- ± ---	DRAWN BY TALEND	DATE 1997/02/13	TITLE INVERTED MODULAR JACK ASSEMBLY	
	▽=0	3 PLACES ± --- ± .010	CHECKED BY ROBERTS	DATE 1997/03/03	DOCUMENT NO. SD-43860-001	
	▽=0	2 PLACES ± 0.25 ± ---	APPROVED BY FRY	DATE 1997/03/04	SHEET NO. 2 OF 5	
▽=0	1 PLACE ± --- ± ---	MATERIAL NO. SEE CHART		THIS DRAWING CONTAINS INFORMATION THAT IS PROPRIETARY TO MOLEX INCORPORATED AND SHOULD NOT BE USED WITHOUT WRITTEN PERMISSION		
ANGULAR ±1/2°		DRAFT WHERE APPLICABLE MUST REMAIN WITHIN DIMENSIONS				



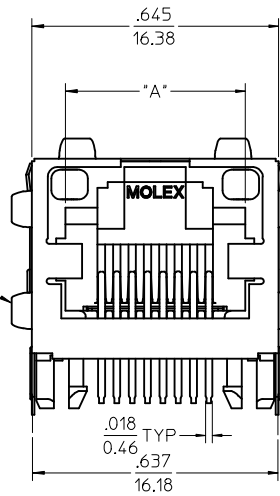
- NOTES:
- MATERIAL:  
HOUSING: NYLON(PA), GLASS FILLED, UL94V-0, COLOR: BLACK  
TERMINALS: PHOSPHOR BRONZE  
LIGHT PIPES:  
POLYCARBONATE - WAVE OR HAND SOLDER ONLY  
(NOT DESIGNED FOR I/R REFLOW OR CONVECTION REFLOW SOLDER PROCESSES)  
POLYSULFONE - MAXIMUM REFLOW TEMPERATURE 400°F (205°C)
  - FINISH:  
TERMINALS:  
SELECT GOLD IN CONTACT AREA: 50 MICROINCHES (1.27 MICROMETERS) MIN.,  
SELECT TIN IN PC TAIL AREA: 100 MICROINCHES (2.54 MICROMETERS) MIN.,  
WITH OVERALL NICKEL UNDERPLATE: 50 MICROINCHES (1.27 MICROMETERS) MIN.
  - PRODUCT SPECIFICATION AND PROCESSING PARAMETERS: PS-43860-003.
  - PACKAGING SPECIFICATION:  
CONNECTOR ASSEMBLIES PACKAGED IN EXTRUDED TUBES PER MOLEX PACKAGING SPECIFICATION PK-43860-004.
  - APPLICATION SPECIFICATION: AS-43860-001
  - ALL UNTOLERANCED DIMENSIONS ARE SHOWN FOR REFERENCE ONLY.
  - CONFORMS TO FCC REGULATION PART 68.5 FOR MODULAR JACKS.
  - REFER TO SHEET (5) OF (5) FOR RECOMMENDED PCB LAYOUT.
  - THIS PART CONFORMS TO CLASS B REQUIREMENTS OF COSMETIC SPECIFICATION PS-45499-002.

ASSEMBLY MAT. NUM.	LIGHT PIPE MATERIAL	CONNECTOR SIZE	DIM "A"	CIRCUITS
43860-0007	POLYCARBONATE	8	.469/11.91	8
43860-0008	POLYCARBONATE	6	.389/9.88	6

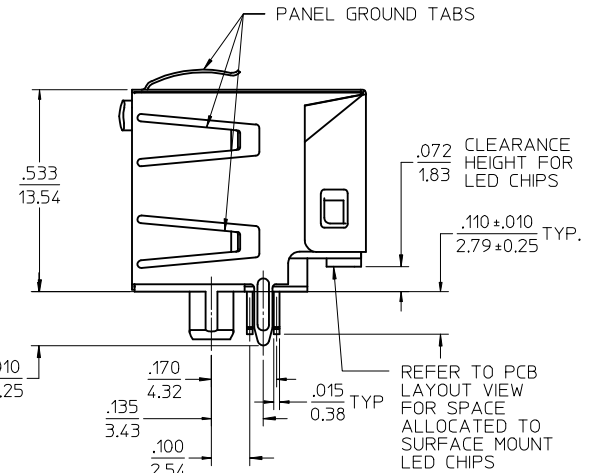
SEE SHEET 1 EC NO: UCP2017-0469 DRAWN: AFENG02 2016/08/30 CHKD: APPR: KLANG 2016/08/31	QUALITY SYMBOLS ▽=0 ▽=0 ▽=0	GENERAL TOLERANCES (UNLESS SPECIFIED)		DIMENSION STYLE IN/MM		SCALE 4:1	DESIGN UNITS INCH	THIRD ANGLE PROJECTION	
		DRAWN BY TALEND		DATE 1997/02/13		TITLE INVERTED MODULAR JACK ASSEMBLY		molex	
3 PLACES ± --- ± ---		CHECKED BY ROBERTS		DATE 1997/03/03		DOCUMENT NO. SD-43860-001			
2 PLACES ± 0.25 ± ---		APPROVED BY FRY		DATE 1997/03/04		MATERIAL NO. SEE CHART		SIZE C	
1 PLACE ± --- ± ---		ANGULAR ±1/2°		DRAFT WHERE APPLICABLE MUST REMAIN WITHIN DIMENSIONS		THIS DRAWING CONTAINS INFORMATION THAT IS PROPRIETARY TO MOLEX INCORPORATED AND SHOULD NOT BE USED WITHOUT WRITTEN PERMISSION			
0 PLACE ± ±									



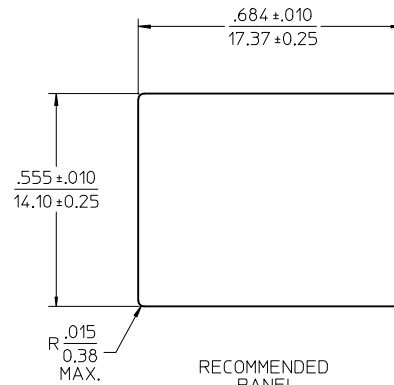
OPTIONAL PANEL GROUND TAB (SEE NOTE 8)



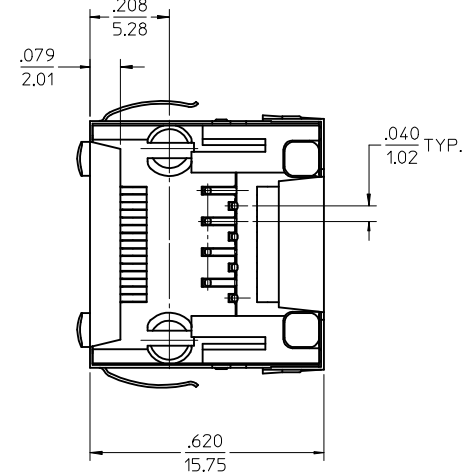
OPTIONAL PANEL GROUND TAB (SEE NOTE 8)



REFER TO PCB LAYOUT VIEW FOR SPACE ALLOCATED TO SURFACE MOUNT LED CHIPS



RECOMMENDED PANEL OPENING

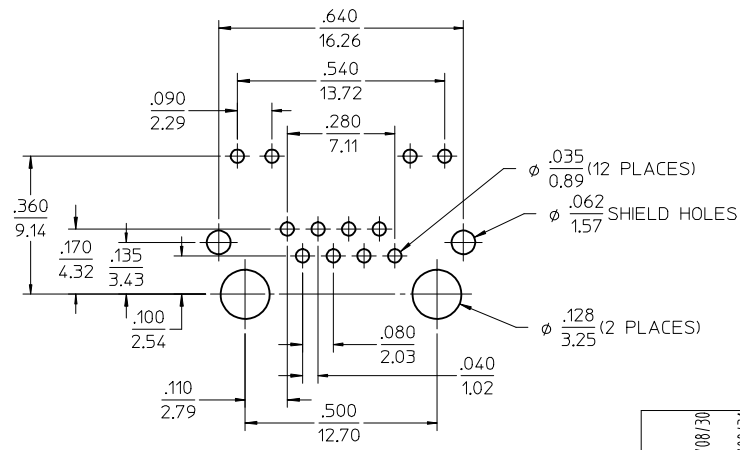
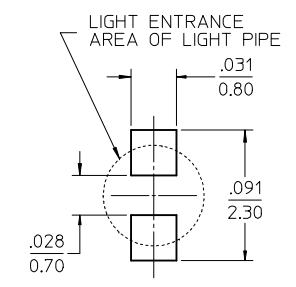
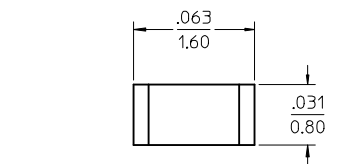
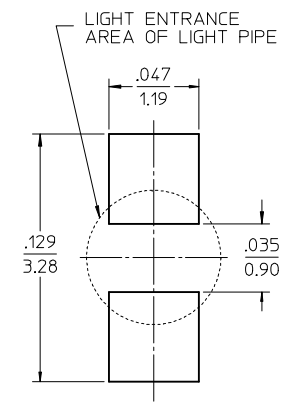
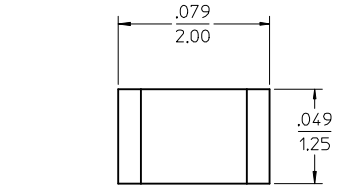
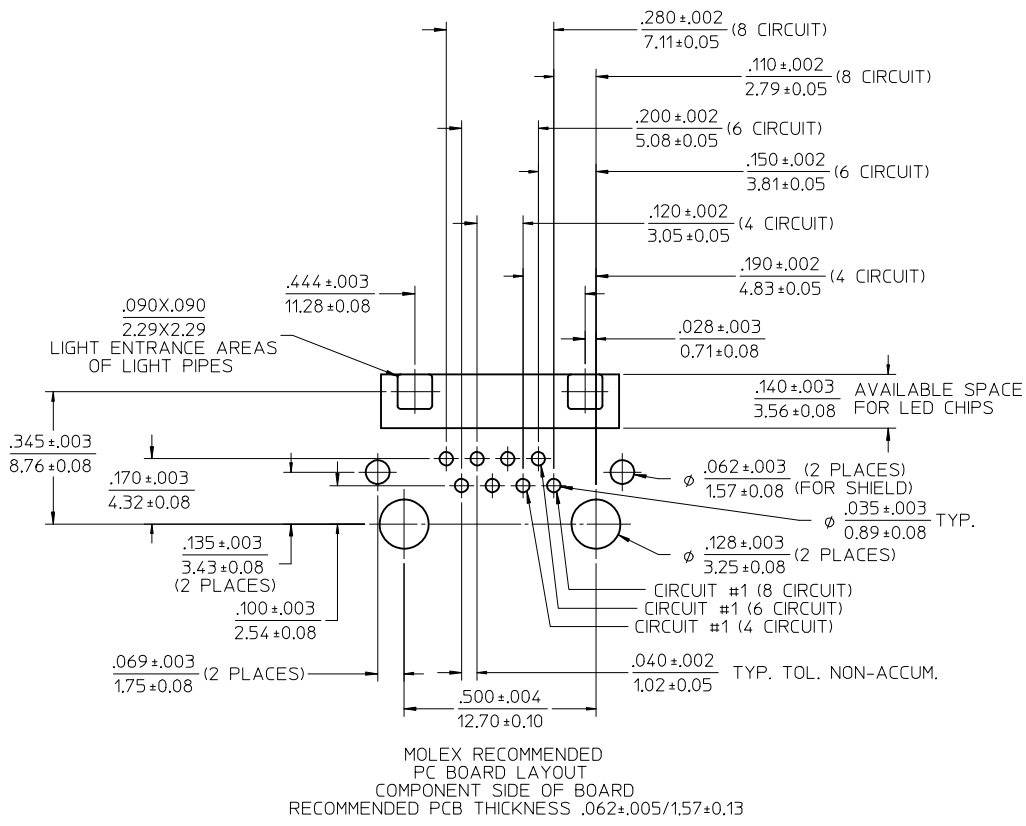


NOTES:

- 1) MATERIAL:  
HOUSING: NYLON(PA), GLASS FILLED, UL94V-0, COLOR: BLACK  
TERMINALS: PHOSPHOR BRONZE  
SHIELD: BRASS  
LIGHT PIPES:  
POLYCARBONATE - WAVE OR HAND SOLDER ONLY  
(NOT DESIGNED FOR I/R REFLOW OR CONVECTION REFLOW SOLDER PROCESSES)  
POLYSULFONE - MAXIMUM REFLOW TEMPERATURE 400°F (205°C)
- 2) FINISH:  
TERMINALS:  
SELECT GOLD IN CONTACT AREA: 50 MICROINCHES/1.27 MICROMETERS MIN.  
SELECT TIN IN PC TAIL AREA: 100 MICROINCHES/2.54 MICROMETERS MIN.  
WITH OVERALL NICKEL UNDERPLATE: 50 MICROINCHES/1.27 MICROMETERS MIN.  
SHIELD:  
100 MICROINCHES/2.54 MICROMETERS OVER 50 MICROINCHES/1.27 MICROMETERS COPPER UNDERPLATE; PCB GROUND TABS DIPPED IN TIN
- 3) PRODUCT SPECIFICATION AND PROCESSING PARAMETERS: PS-43860-003.
- 4) PACKAGING SPECIFICATION:  
CONNECTOR ASSEMBLIES PACKAGED IN THERMOFORMED TRAYS PER MOLEX PACKAGING SPECIFICATION PK-43860-005.
- 5) APPLICATION SPECIFICATION: AS-43860-001
- 6) ALL UNTOLERANCED DIMENSIONS ARE SHOWN FOR REFERENCE ONLY.
- 7) CONFORMS TO FCC REGULATION PART 68.5 FOR MODULAR JACKS.
- 8) AVAILABLE WITH THE (2) SPECIFIED PANEL GROUND TABS OMITTED FOR SIDE TO SIDE STACKABILITY, PER THE ASSEMBLY MATERIAL NUMBER TABLE.
- 9) REFER TO SHEET (5) OF (5) FOR RECOMMENDED PCB LAYOUT.
- 10) THIS PART CONFORMS TO CLASS B REQUIREMENTS OF COSMETIC SPECIFICATION PS-45499-002.

ASSEMBLY MAT. NUM.	LIGHT PIPE MATERIAL	CONNECTOR SIZE	DIM "A"	CIRCUITS	PANEL GROUND TABS
43860-0010	POLYCARBONATE	8	.469/11.91	8	ALL
43860-0011	POLYCARBONATE	6	.389/9.88	6	ALL
43860-0012	POLYCARBONATE	6	.389/9.88	4	ALL
43860-0016	POLYCARBONATE	8	.469/11.91	8	SEE NOTE #8
43860-0017	POLYCARBONATE	6	.389/9.88	6	SEE NOTE #8
43860-1010	POLYSULFONE	8	.469/11.91	8	ALL
43860-1011	POLYSULFONE	6	.389/9.88	6	ALL
43860-1016	POLYSULFONE	8	.469/11.91	8	SEE NOTE #8

SEE SHEET 1 EEC NO: UCP2017-0469 DRW:WAFENG02 2016/08/30 CHKD: APPR:KLANG 2016/08/31	QUALITY SYMBOLS	GENERAL TOLERANCES (UNLESS SPECIFIED)	DIMENSION STYLE IN/MM	SCALE 4:1	DESIGN UNITS INCH	THIRD ANGLE PROJECTION
	▽=0	4 PLACES ± --- ± ---	DRAWN BY TALEND	DATE 1997/02/13	<b>INVERTED MODULAR JACK ASSEMBLY</b>  <b>molex</b> DOCUMENT NO. SD-43860-001 SHEET NO. 4 OF 5	
	▽=0	3 PLACES ± --- ± .010	CHECKED BY ROBERTS	DATE 1997/03/03		
	▽=0	2 PLACES ± 0.25 ± ---	APPROVED BY FRY	DATE 1997/03/04		
▽=0	1 PLACE ± --- ± ---					
		0 PLACE ± ±				
		ANGULAR ±1/2°	MATERIAL NO. <b>SEE CHART</b>			
		DRAFT WHERE APPLICABLE MUST REMAIN WITHIN DIMENSIONS	SIZE C		THIS DRAWING CONTAINS INFORMATION THAT IS PROPRIETARY TO MOLEX INCORPORATED AND SHOULD NOT BE USED WITHOUT WRITTEN PERMISSION	



NOTES:  
1. FOR CROSS REFERENCE OF RECOMMENDED LED'S SEE MOLEX WEB SITE

SEE SHEET 1 EC NO: UCP2017-0469 DRAWN: AFENGZ 2016/08/30 CHKD: APPR: KLANG 2016/08/31	QUALITY SYMBOLS ▽=0 ▽=0 ▽=0	GENERAL TOLERANCES (UNLESS SPECIFIED)		DIMENSION STYLE IN/MM		SCALE 4:1	DESIGN UNITS INCH	THIRD ANGLE PROJECTION	
		4 PLACES ±	---	mm	INCH	DRAWN BY TALEND		DATE 1997/02/13	
		3 PLACES ±	---	±.010	---	CHECKED BY ROBERTS		DATE 1997/03/03	
		2 PLACES ±	0.25	---	---	APPROVED BY FRY		DATE 1997/03/04	
1 PLACE ±	---	---	---	MATERIAL NO.		DOCUMENT NO.		SHEET NO.	
0 PLACE ±	---	---	---	ANGULAR ±1/2°		SD-43860-001		5 OF 5	
DRAFT WHERE APPLICABLE MUST REMAIN WITHIN DIMENSIONS				SEE CHART		THIS DRAWING CONTAINS INFORMATION THAT IS PROPRIETARY TO MOLEX INCORPORATED AND SHOULD NOT BE USED WITHOUT WRITTEN PERMISSION			