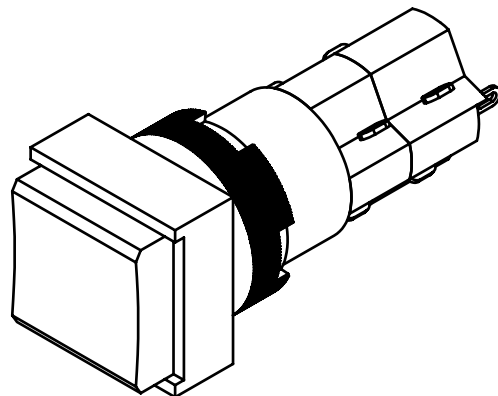
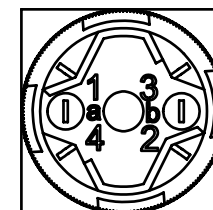
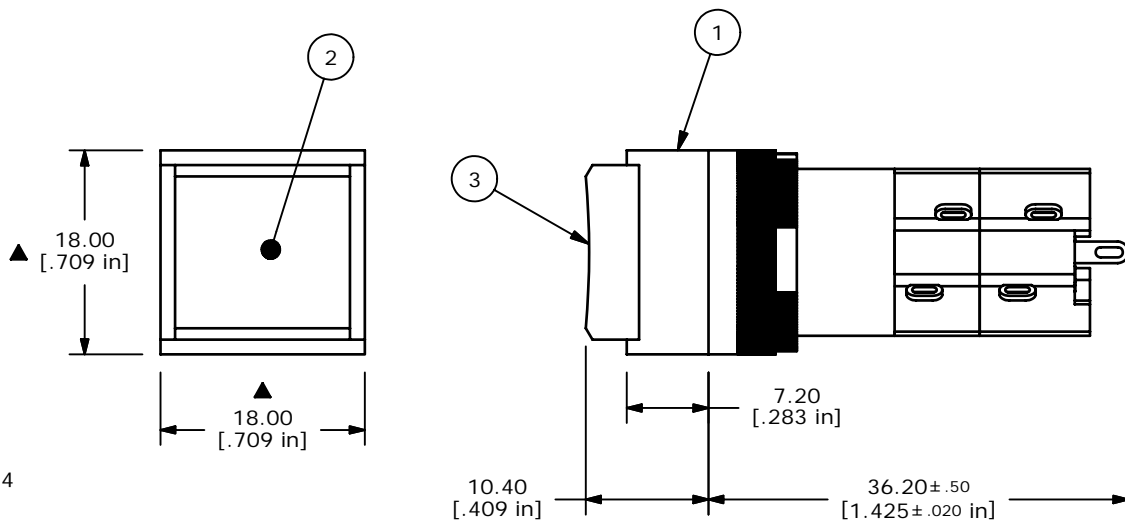
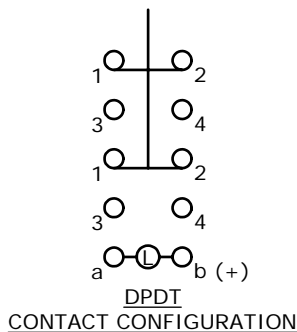


PANEL MOUNTING



PARTS LIST			
ITEM	QTY	PART NUMBER	DESCRIPTION
1	1	F040031	D16OAS12
2	1	F050405	5000424 28VDC INCANDESCENT
3	1	F050305	5000305 TRANSPARENT WHT LENS



NOTE:

1. ALL DIMENSIONS IN MM [INCH]
2. GENERAL TOLERANCE: X.X=±0.4
X.XX=±0.25
3. TERMINAL NUMBERS FOR REF ONLY
4. RATING: 5A @ 250 VAC
6A @ 24 VDC
8A @ 125 VAC
5. ELECTRIC LIFE: 50,000 MAKE-AND-BREAK CYCLES AT FULL LOAD.
6. INSULATION RESISTANCE: 1,000 MEGA-OHM MIN.
7. OPERATING TEMP.: -20°C to 55°C
- ▲ 8. LAMP VOLTAGE: 28V DC
9. ▲ DENOTES CRITICAL PARAMETER.
10. 2002/05/EC (ROHS) COMPLIANT.
11. PACKAGE: BOX/20 PIECES PER BOX



A	17551	RELEASED FOR PRODUCTION	8/13/07	BF
REV	PCR NO	DESCRIPTION	DATE	BY

TITLE D16OAS12CWHT				
SCALE	DATE	DR	DWG	REV
1.5:1	8/13/2007	BF	XF0734P	A

THE INFORMATION CONTAINED IN THIS DOCUMENT IS PROPRIETARY TO E-SWITCH AND IS NOT TO BE COPIED OR TRANSFERRED