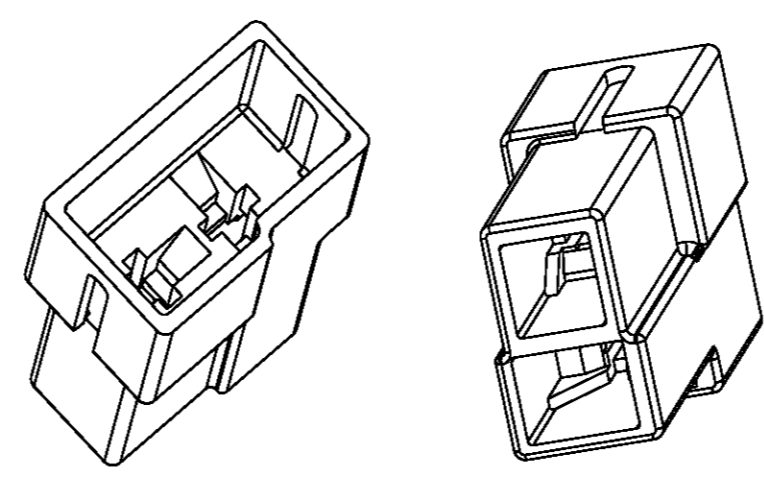
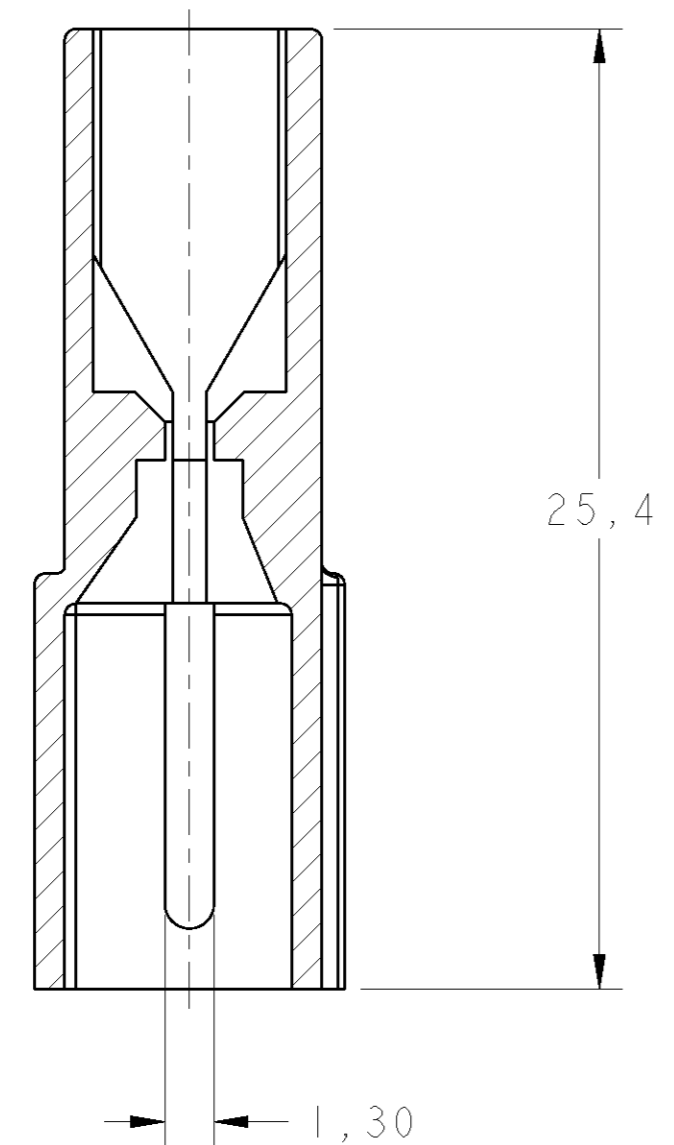
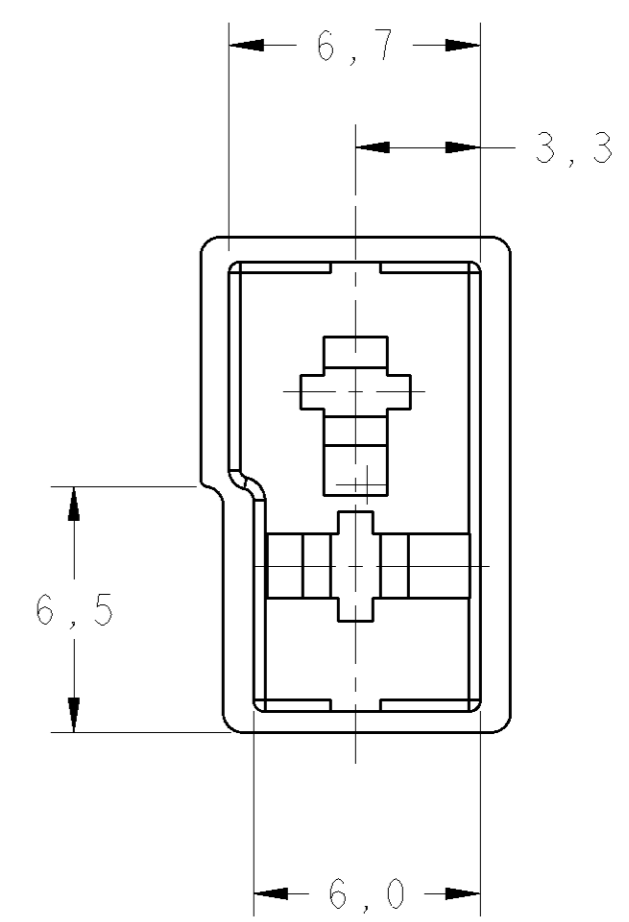
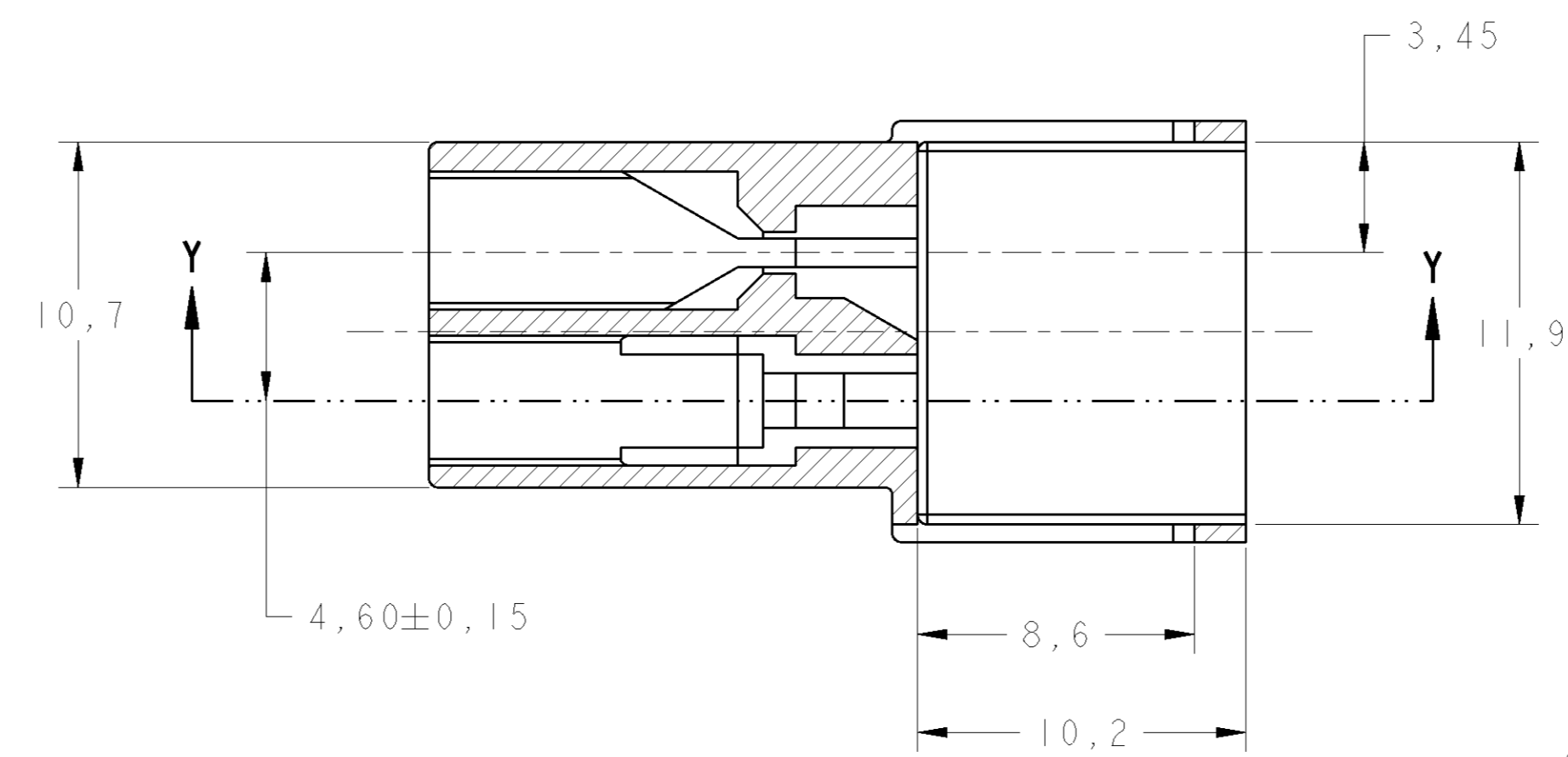
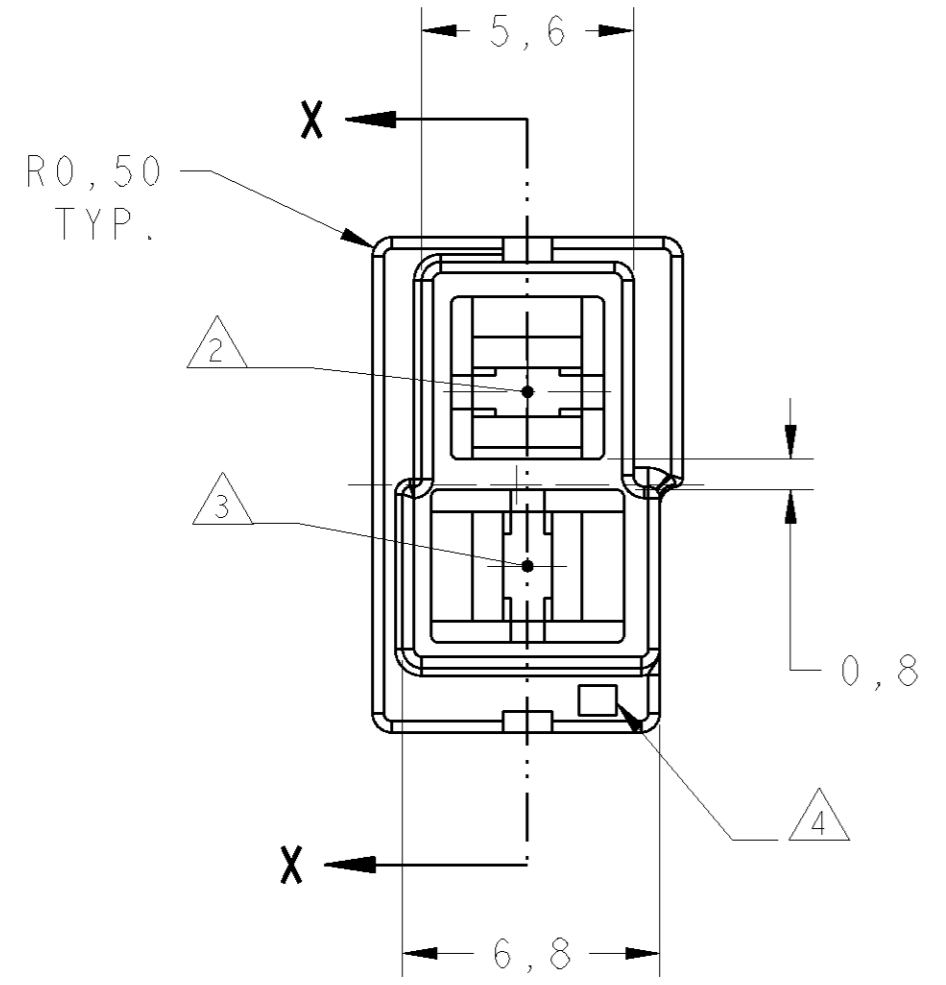


THIS DRAWING IS UNPUBLISHED. RELEASED FOR PUBLICATION 20  
 © COPYRIGHT 20 BY - ALL INTERNATIONAL RIGHTS RESERVED.

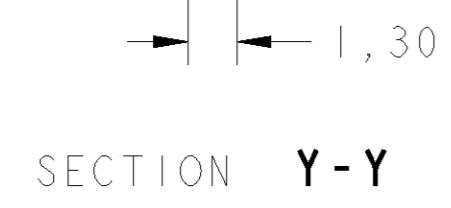
REVISIONS							
LOC	DIST	P	LTR	DESCRIPTION	DATE	DWN	APVD
AP	-	L5		REVISED PER ECO-11-005301	12APR11	RK	HMR



PERSPECTIVE VIEW  
SCALE 3:1

- △1 - MATERIA PRIMA CONFORME ESPECIF. IEC 60335-1  
GWT 750° C, SEM CHAMAS.  
- RAW MATERIAL ACC. TO SPEC 60335-1  
GWT 750° C, WITHOUT FRAME.
- △2 - CIRCUITO 1-SOMENTE PARA REFERENCIA.  
- CIRCUITO 1- FOR REFERENCE ONLY.
- △3 - CIRCUITO 2- SOMENTE PARA REFERENCIA.  
- CIRCUITO 2- FOR REFERENCE ONLY.
- △4 - NÚMERO DA CAVIDADE DO MOLDE.  
- MOLD CAVITY NUMBER.
- △5 - OBSOLETE PARTS: OBSOLETE CIS STREAMLINING  
PER D.RENAUD/D.SINISI.

FINISH	MATERIAL	PART NUMBER
NATURAL	PA6.6 V-0	1-626065 -2
NATURAL	PA6.6-ZYTEL 103 HSL	△5 1-626065 -1
NATURAL	PBT V-0	△5 1-626065 -0
ORANGE	POLIAMIDA 6.6	△5 626065 -9
VIOLET	POLIAMIDA 6.6	△5 626065 -8
GRAY	POLIAMIDA 6.6	△5 626065 -7
BROWN	POLIAMIDA 6.6	△5 626065 -6
BLACK	POLIAMIDA 6.6	626065 -5
YELLOW	POLIAMIDA 6.6	△5 626065 -4
BLUE	POLIAMIDA 6.6	△5 626065 -3
GREEN	POLIAMIDA 6.6	△5 626065 -2
RED	POLIAMIDA 6.6	△5 626065 -1
NATURAL	POLIAMIDA 6.6	626065 -0



SECTION Y-Y

DIMENSIONS: mm		TOLERANCES UNLESS OTHERWISE SPECIFIED: 0 PLC ±0,2 1 PLC ±0,3 2 PLC ± 3 PLC ± 4 PLC ± ANGLES ±30° FINISH		DWN NCLAPRESA 18FEB2011 CHK JRGOLDSCHIMDT 18FEB2011 APVD MBGODOY 18FEB2011		TE Connectivity NAME HOUSING 2 POSN., FASTIN-ON .110 TAB SIZE CAGE CODE DRAWING NO RESTRICTED TO A200779 C-626065 SCALE 5:1 SHEET OF REV L5	
MATERIAL SEE TABLE		PRODUCT SPEC APPLICATION SPEC WEIGHT		CUSTOMER DRAWING			