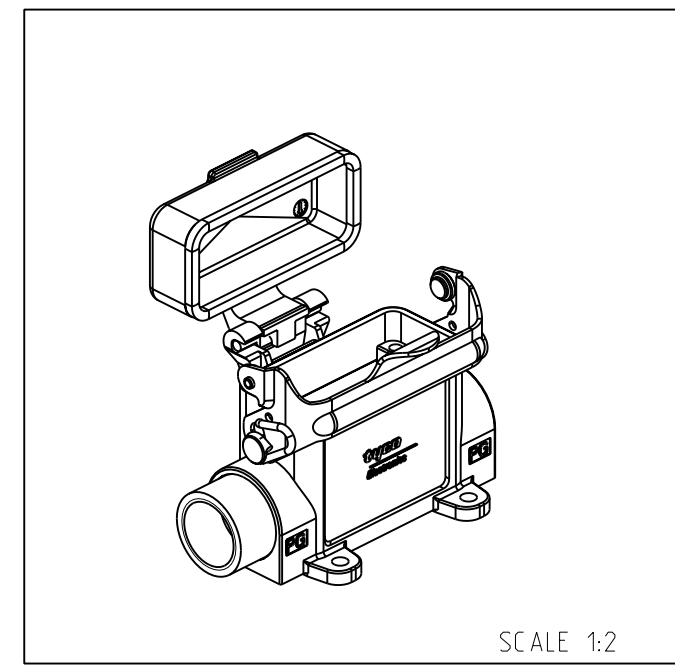
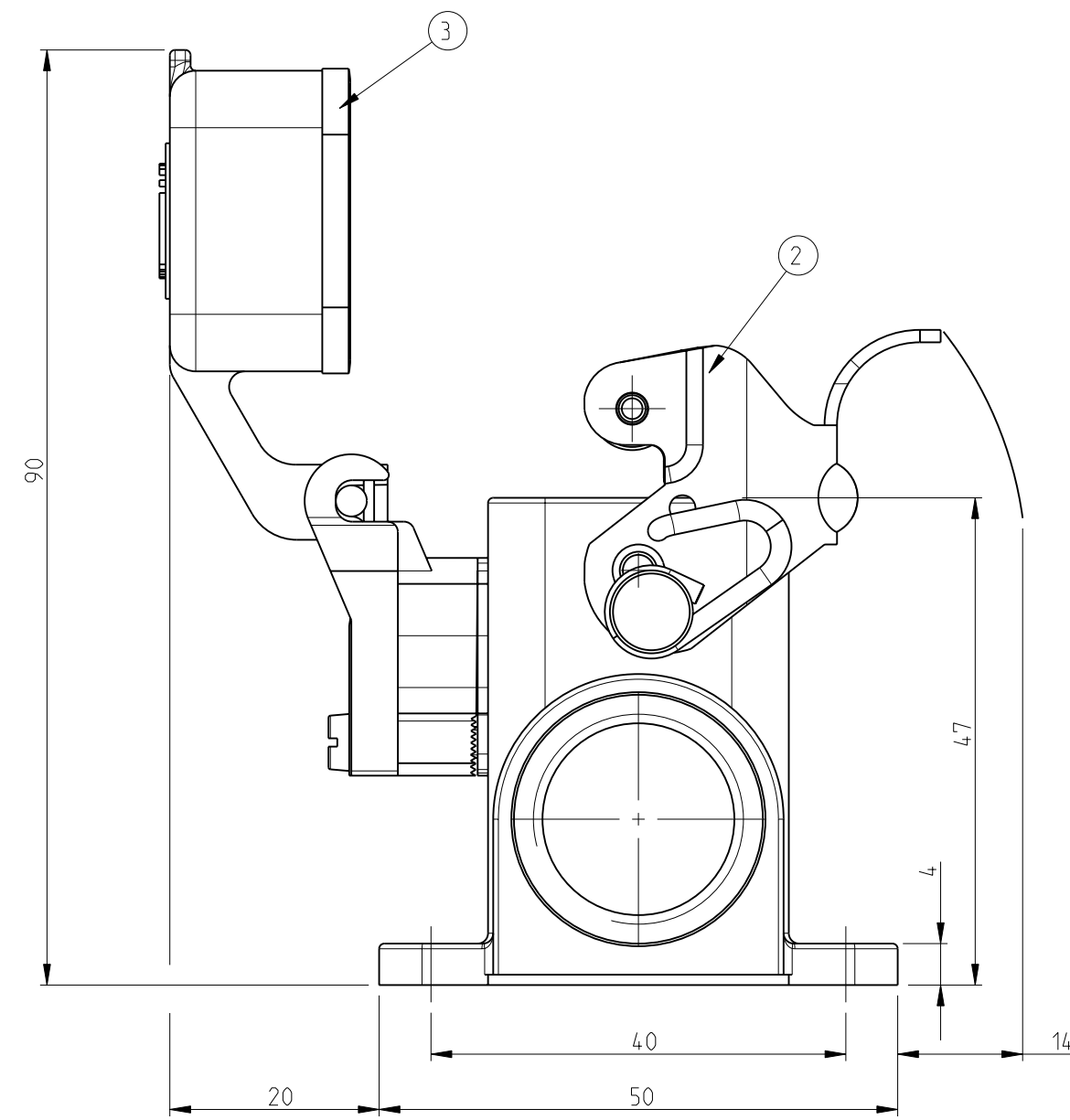
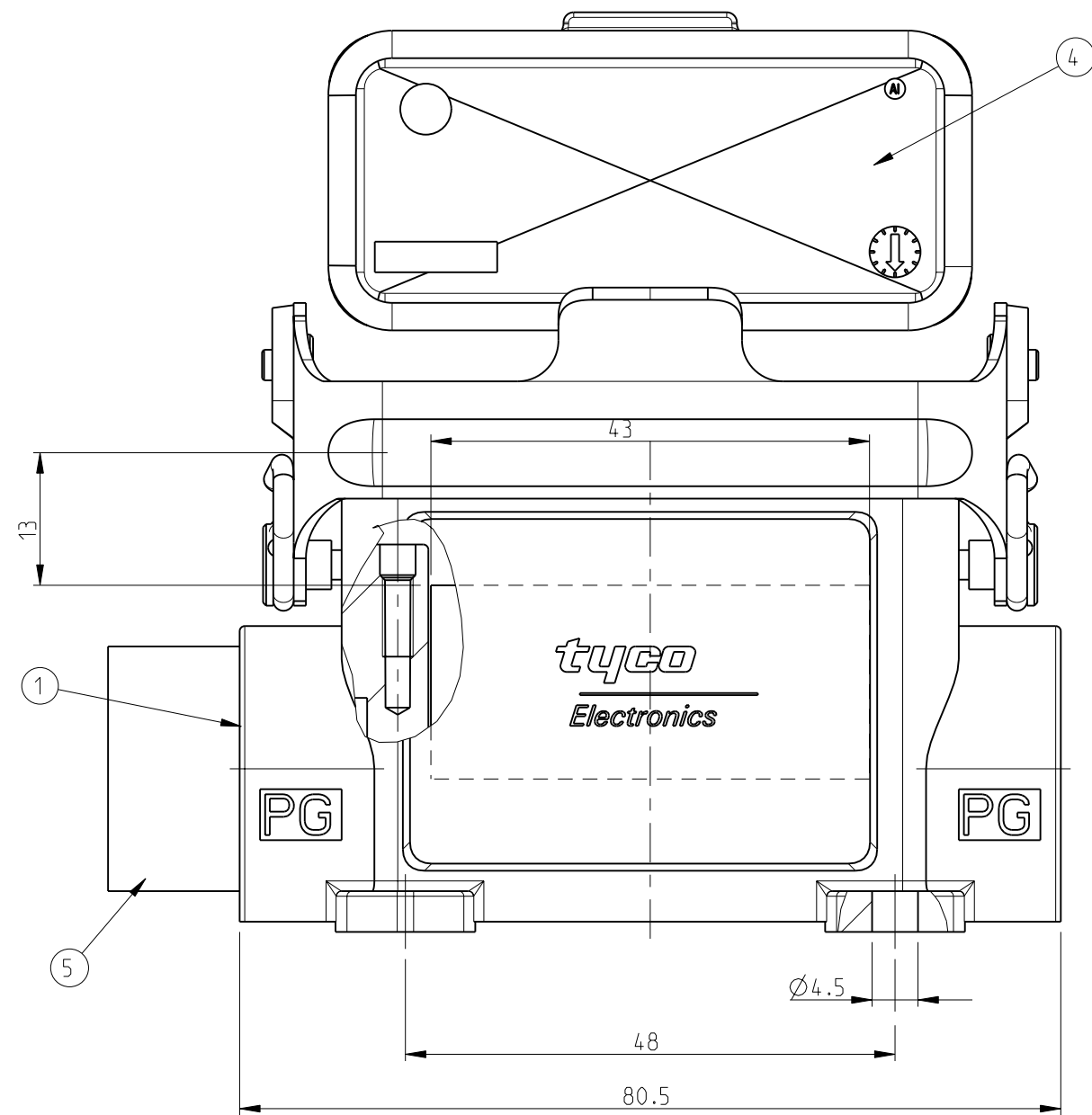


THIS DRAWING IS UNPUBLISHED. RELEASED FOR PUBLICATION 2000  
 © COPYRIGHT 2000 BY TYCO ELECTRONICS CORPORATION. ALL RIGHTS RESERVED.

LOC	DIST	REVISIONS				
P	LTR	DESCRIPTION	DATE	DWN	APVD	
A1	-	B2	RELEASED AS PER ECR-09-005170	05.MAR.2009	GG	TS

- NOTES
- 1 MATERIAL:SEE TABLE
  - 2 SURFACE: SEE TABLE
  - 3 VARNISH ON THE INSIDE NOT NECESSARILY
  - 4 PACKAGING QUANTITY:5 PIECES PER BOX



DESCRIPTION	MATERIAL	SURFACE	COLOR	ITEM NO	REMARKS
1 ADAPTOR ROUND	BRASS	Ni PLATED	BLUE	5	
1 COVER	ALUMINIUM	-	GREY	4	
1 PROFILE SEAL	NEOPRENE	-	BLACK	3	
1 CLIP	STEEL	ZINC PLATED	BLUE	2	-
1 SURFACE MOUNTED HOUSING-SIDE ENTRY	ALUMINIUM	-	GREY	1	-

HA.10.SGD-LB.2.16.Z

<small>THIS DRAWING IS A CONTROLLED DOCUMENT FOR TYCO ELECTRONICS CORPORATION. IT IS SUBJECT TO CHANGE AND THE CONTROLLING ENGINEERING ORGANIZATION SHOULD BE CONTACTED FOR THE LATEST REVISION.</small>		DWN S.KUMAR 2/13/2006 CHK R.SRINIVAS 2/13/2006 APVD T.SCHNURPEL 2/13/2006	<b>Tyco Electronics</b> Tyco Electronics.AMP.GmbH 53757.SanktAugustin.Germany	
DIMENSIONS: mm 	TOLERANCES UNLESS OTHERWISE SPECIFIED: h11D 80h8 m11SD 275h8-m11E p11JIN 16901-120 0 PLC ± 1 PLC ± 2 PLC ± 3 PLC ± 4 PLC ± ANGLES ±	NAME SURFACE MOUNTED HOUSING-SIDE ENTRY HA.10.SGD-LB.2.16.Z PRODUCT SPEC APPLICATION SPEC	SIZE A2 CAGE CODE 00779 DRAWING NO C-1102130	RESTRICTED TO -
MATERIAL	FINISH	WEIGHT	SCALE 5:1	SHEET 1 OF 1
CUSTOMER DRAWING		REV: B2		