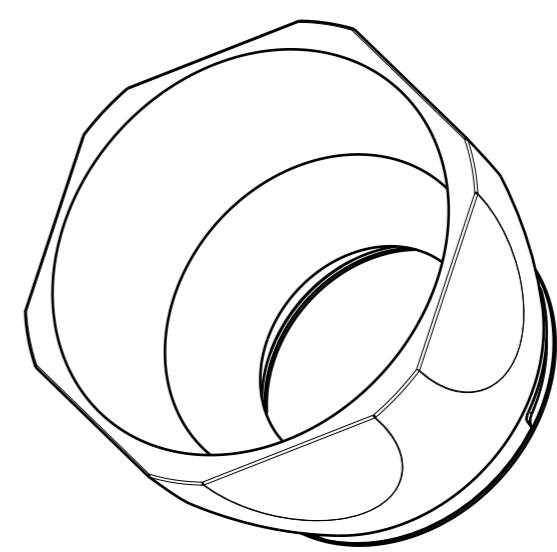
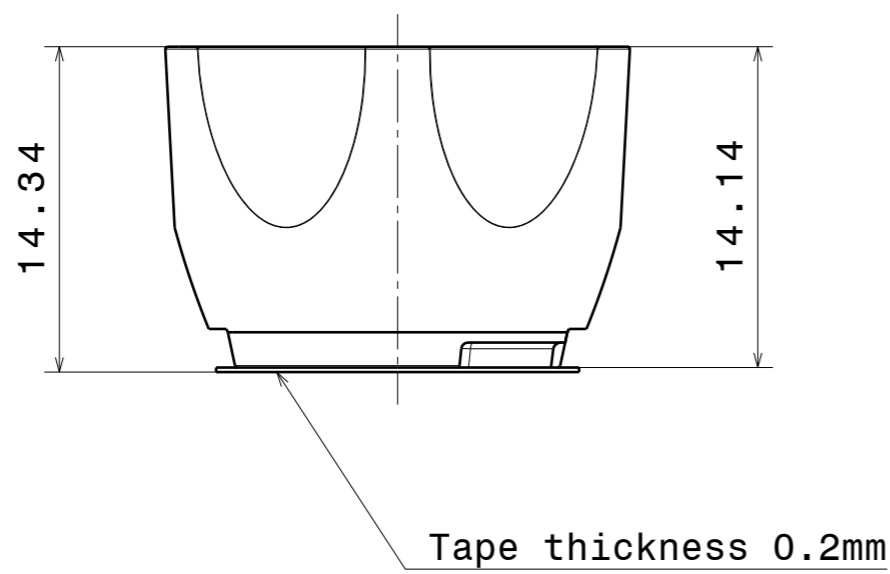


H G F E D C B A

4

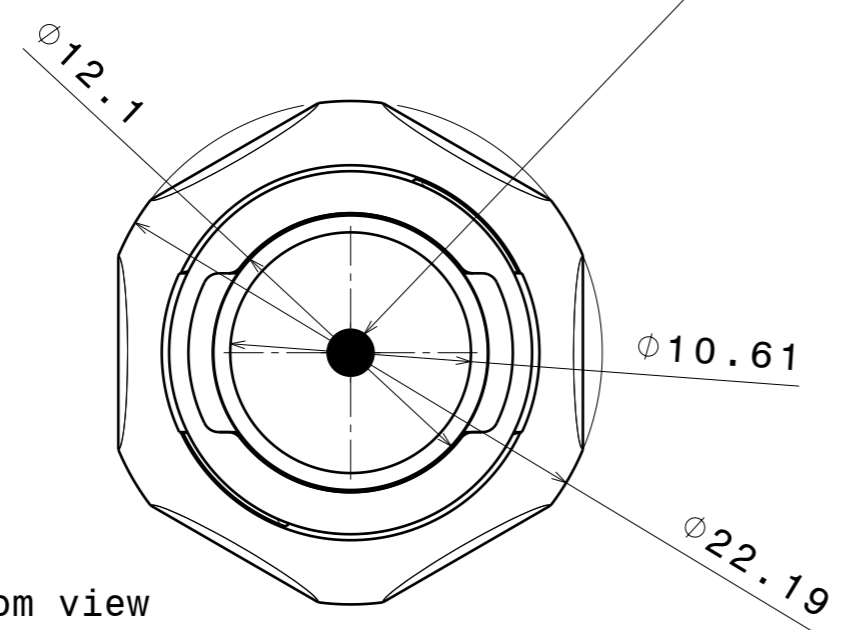
4

Front view



Isometric view

LED position



Bottom view

INDEX	PART NO	MATERIAL	COLOUR
1	Tape		Black
2	Reflector	PC	Metal

Tolerances if not otherwise shown  
 According to DIN ISO 2768-1  
 Linear measures: class C  
 According to DIN ISO 2768-2  
 Form and position: class L

**LEDiL** LediL Oy  
 Salorankatu 10  
 FIN 24240 SALO  
 Finland

THIRD ANGLE PROJECTION:

DRAWING TITLE  
**CA10931\_BOOM-W**

This drawing is the property of LEDiL Oy. It may not be reproduced, copied or communicated without a written agreement with LEDiL Oy.

SIZE **A3** PART NUMBER **CA10931**

SCALE 1:1 WEIGHT - SHEET 1/1

2

2

1

1

H G B A