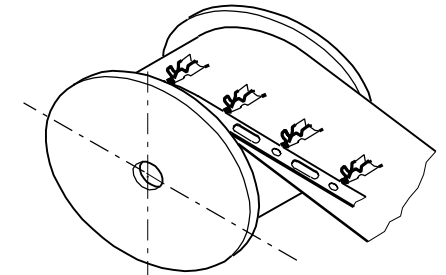
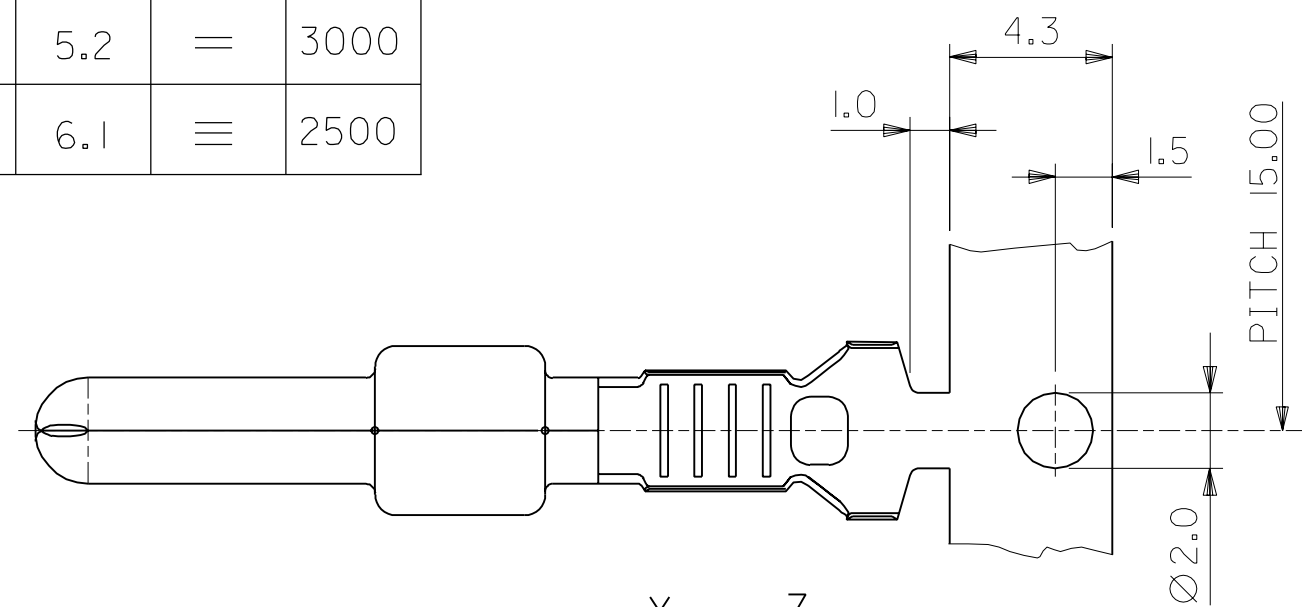


PART NO.	WIRE		B1	H1	B2	H2	M	PARTS PER REEL
	SQ mm <sup>2</sup>	INS. Ø mm						
98014-0100	0.5-1.0	1.4-3.3	3.2	3.2	4.7	4.6	—	3000
98014-0200	1.5-2.5	2.1-4.2	4.1	3.8	5.7	5.2	=	3000
98014-0300	2.5-4.0	2.6-4.9	4.4	4.5	6.7	6.1	≡	2500

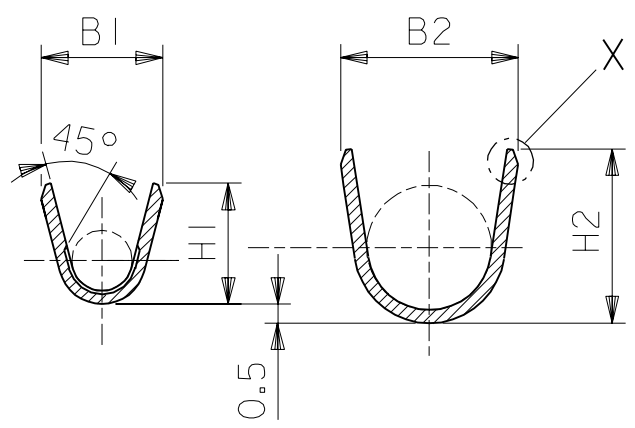


OFF TOP OF REEL

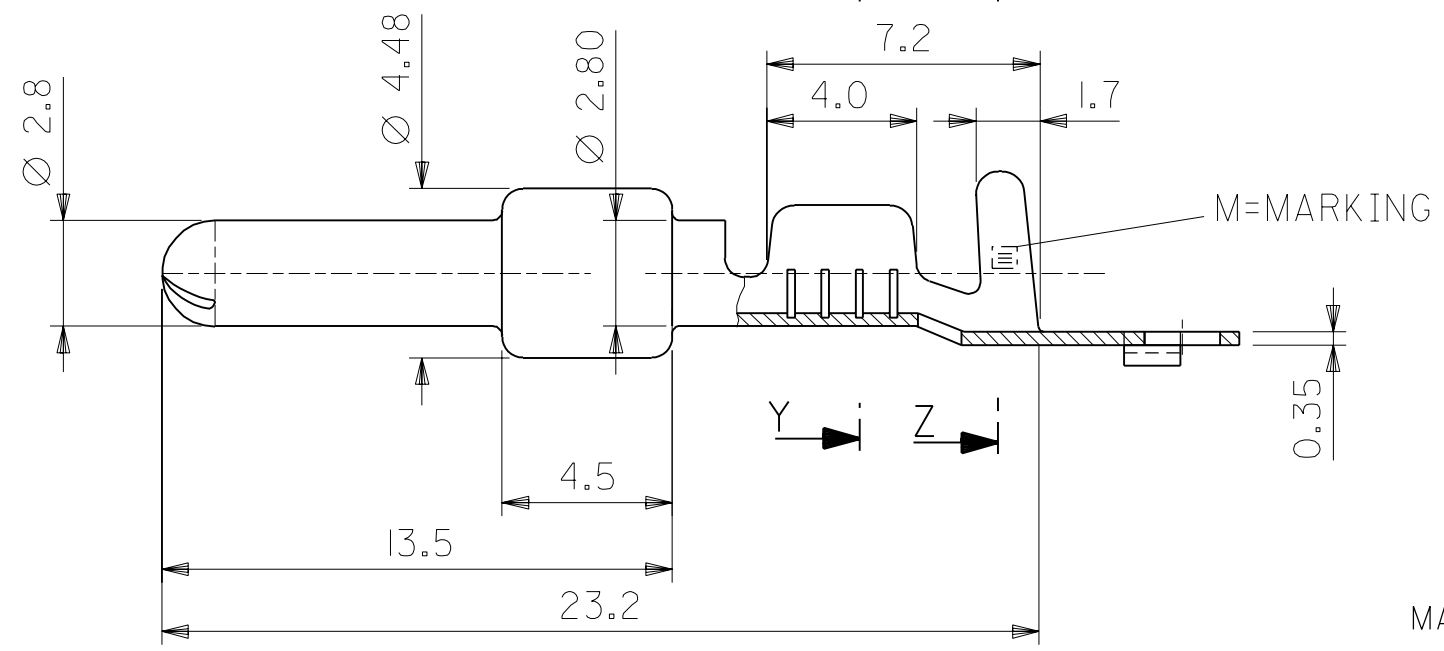
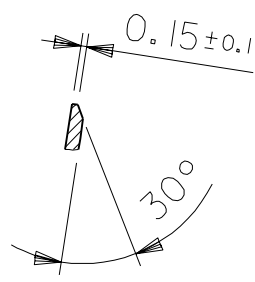


SECTION Y-Y  
SCHNITT Y-Y

SECTION Z-Z  
SCHNITT Z-Z



DETAIL X  
EINZELHEIT X



MATERIAL: PRE TIN BRASS  
MESSING VERZINNT

THIRD ANGLE PROJECTION		DRWG BY LA
DIMENSIONS SHOWN ( METRIC ) INCH UNLESS OTHERWISE SPECIFIED TOLERANCES: ANGULAR ± INCH (METRIC)		CHK'D BY SCH
3 PLACE ±	±	APP'D BY APO
2 PLACE ±	± 0.15	SCALE 5:1
1 PLACE ±	± 0.30	
DESIGN DIMENSION (PRIMARY) <input checked="" type="checkbox"/> (MM) <input type="checkbox"/> IN.		
EQUIVALENT DIMENSION (SECONDARY) <input type="checkbox"/> (MM) <input type="checkbox"/> IN.		

REVISE ONLY ON CAD SYSTEM		SH.	REV.
CADCAM FILENAME SD98014 DCN		THIS DRAWING CONTAINS INFORMATION THAT IS PROPRIETARY TO MOLEX INC. & SHOULD NOT BE USED WITHOUT WRITTEN PERMISSION	
TITLE MALE TERMINAL 2.8mm			
MOLEX MOLEX EUROPE		SHEET NO. 1 / 1	DATE 14 / 04 / 92
PART NO. SEE TABLE	DWG NO. SD-98014	SIZE B	

FOR PREVIOUS  
DRAWING ISSUES  
SEE "EDIS"

ECN MXG 1281	REVISIONS
17.02.94	
H. DIETZ	
D	LTR