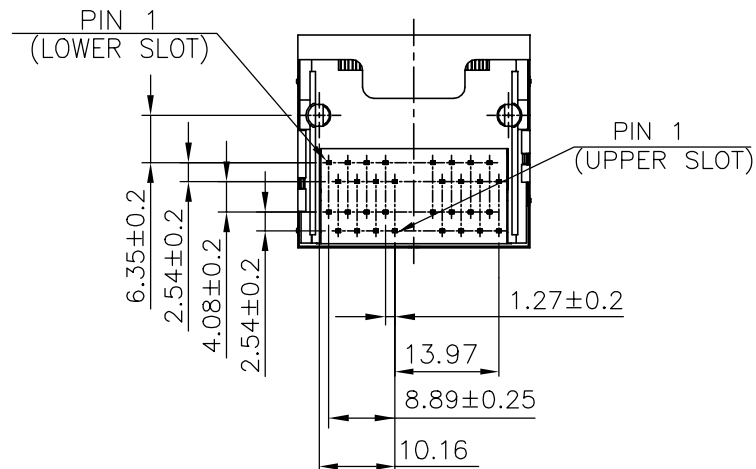
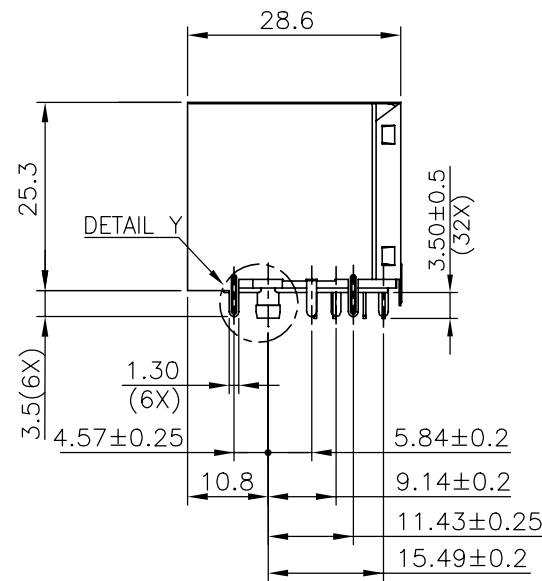
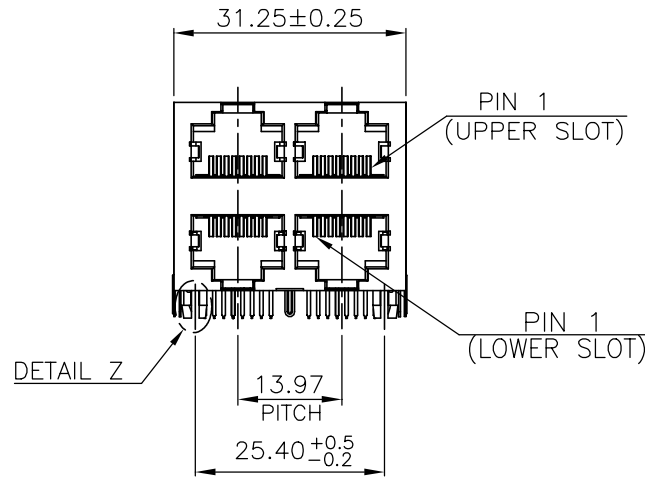
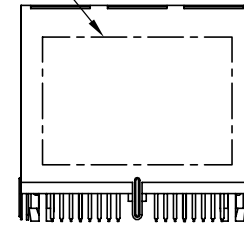
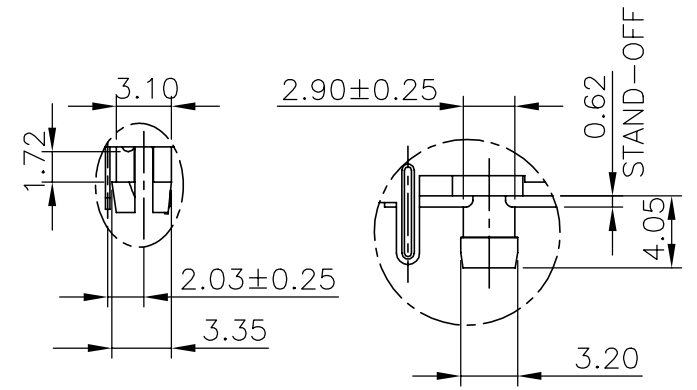
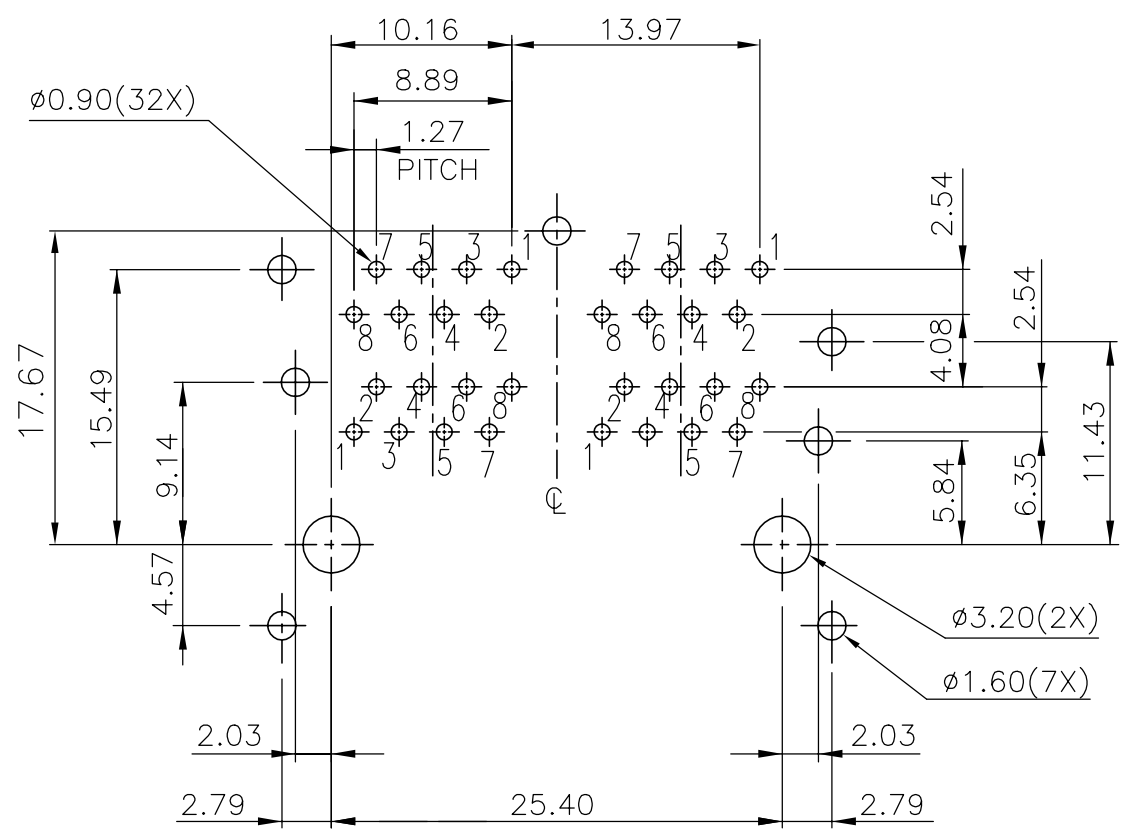


LOGO(SEE NOTE 3)

PRINT P/N & DATE CODE
(SEE NOTE 4)



mat'l. code		surface ASME Y14.5		tolerance ASME Y14.5		projection MM [INCH]		product family GANGED MJACK	
ltr		ecn no		dr		date		title	
A				WL		11/04/11		CAT 3 MULTIPORT STACKED 2x2 WITH SHIELD, W/O LED	
				angles		X.X±0.25		dwg no	
				X°±1'		X.XX±0.13		sheet 1 of 3	
				dr		WENDY CHEN 05/03/11		size	
				enr		WENDY CHEN 05/03/11		A4	
				chr		WENDY CHEN 05/03/11		10118070	
				appd		GARY HSIEH 05/03/11		type	
								CUSTOMER Drawing	
sheet index		revision sheet		A		A		A	
		1		2		3			



DETAIL Z
SCALE 2:1

DETAIL Y
SCALE 2:1

RECOMMENDED PCB LAYOUT
RECOMMENDED PCB THICKNESS: 1.6mm
TOLERANCE: ±0.05mm (TOP VIEW)

mat'l. code		surface ASME Y14.5 ✓		tolerance ASME Y14.5		projection [Symbol]		product family GANGED MJACK	
ltr	ecn no	dr	date	tolerances unless otherwise specified		[Symbol]		title CAT 3 MULTIPORT STACKED 2x2 WITH SHIELD, W/O LED	
A				angles	$X.X \pm 0.25$	MM [INCH]		dwg no 10118070	
				size	$X.XX \pm 0.13$	scale		sheet 2 of 3 size A4	
				X*±1"	$X.XXX \pm 0.05$	FCI		type CUSTOMER Drawing	
				dr	WENDY CHEN 05/03/11				
				enr	WENDY CHEN 05/03/11				
				chr	WENDY CHEN 05/03/11				
				appd	GARY HSIEH 05/03/11				
sheet index	revision								

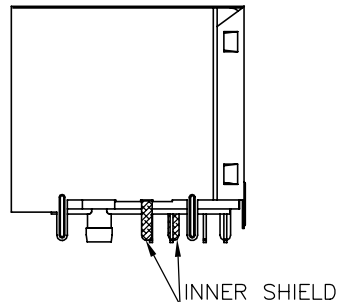
NOTE:

1. MATERIAL:
HOUSING & INNER HOUSING & COVER:
HIGH TEMPERATURE THERMOSPLASTIC, UL94V-0, COLOR: BLACK.
CONTACTS: COPPER ALLOY.
SHIELD: COPPER ALLOY.
INNER SHIELD: COPPER ALLOY.
2. FINISH:
CONTACTS: 50u" MIN. NICKEL UNDER PLATED OVER ALL.
SELECTIVE GOLD PLATED ON CONTACT AREA,
1u" GOLD PLATED ON SOLDER TAIL.
SHIELD & INNER SHIELD: 20u" MIN. NICKEL OVER ALL.
3. LASER MARK FCI LOGO ON THE TOP OF SHIELD.
4. "DATE CODE" DESCRIPTION:

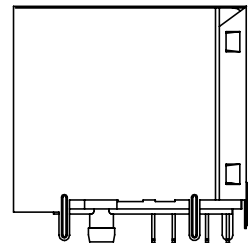
XX	XX	
		WEEK
		YEAR (EX. : 10--2010)
5. PRODUCT PERFORMANCE PER SPEC. : GS-12-0990.
6. PACKING SPEC. : GS-14-2170.
7. THIS PRODUCT MEETS THE EUROPEAN UNION DIRECTIVE AS DESCRIBED IN GS-22-008.
8. THE HOUSING WILL WITHSTAND EXPOSURE TO 260°C PEAK TEMPERATURE FOR 5 SECONDS IN A WAVE SOLDER APPLICATION WITH A CIRCUIT BOARD.

9. PART NUMBER DESCRIPTION:

- 10118070-X X X X X X X LF
- LEAD FREE
 - 0 : RESERVED (NOT USED)
 - PACKAGING
1 : TRAY
 - OPTIONAL BACK SHIELD TAB
1 : WITH 1 BACK SHIELD TAB
 - OPTIONAL RIGHT / LEFT SHIELD TAB
A : SHIELD TAB WITH INNER SHIELD
B : SHIELD TAB WITHOUT INNER SHIELD
 - OPTIONAL PANEL GROUND
0 : WITHOUT PANEL GROUND
 - LED COLOR
0 : WITHOUT LED
 - CONTACT AREA PLATING
1 : 15u" GOLD PLATING
2 : 30u" GOLD PLATING
5 : 1u" GOLD FLASH PLATING



10118070-XXXAXXXLF
(WITH INNER SHIELD)



10118070-XXXBXXXLF
(WITHOUT INNER SHIELD)

mat'l. code		surface ASME Y14.5 ✓	tolerance ASME Y14.5	projection ⊕	product family GANGED MJACK
ltr	ecn no	dr	date	tolerances unless otherwise specified	title CAT 3 MULTIPORT STACKED 2x2 WITH SHIELD, W/O LED
A				angles X.X±0.25 X.XX±0.13 X'±1"	
				scale MM [INCH]	dwg no 10118070 sheet 3 of 3 size A4
				dr WENDY CHEN 05/03/11 enr WENDY CHEN 05/03/11 chr WENDY CHEN 05/03/11 appd GARY HSIEH 05/03/11	
sheet index	revision sheet				type CUSTOMER Drawing

