

## Power Cord with Locking System for Inlet Filters IL13, IL13P, IL19



- | Locking system for standardized IEC C14/C20 inlet filter
- | No accidental disconnection
- | Rated current up to 10A (C13 plug), up to 15A (C13P plug), and up to 16A (C19 plug)
- | Fits any Schaffner IEC C14/C20 inlet filter
- | Retrofit for any IEC C14/C20 inlet
- | Various power line plugs for international usage



### Approvals



The locking system has a tensile force of typical 200N. It is recommended to use it with flange mount filters. For details refer to our Application Note "Using IEC Lock Power Cords with IEC Inlets and Filters"

Schaffner power cords with IEC lock guard against accidental disconnection of all electrical appliances with an IEC inlet. No exchange or modification of the IEC inlet or IEC inlet filter system is needed. Easy retrofit for all electronic equipments and devices.

### Technical specifications IL13 / IL13P

<b>Maximum continuous operating voltage</b>	250 VAC, 50/60 Hz
<b>Rated currents</b>	10A for C13 plug), 15A for C13P plug
<b>High potential test voltage</b>	P-> PE 2000 VAC (1min 50 Hz) P -> N 2000 VAC (1min 50 Hz)
<b>Protection category</b>	IP20 according IEC 60529
<b>Temperature range (operation and storage)</b>	-25 °C to +70 °C
<b>Connector (load side)</b>	IEC C13 according to IEC/EN 60320-2-2 with IEC Lock UL 498, CSA C22.2 no. 42 (for cold conditions) pin temperature 70 °C, 10 A, Protection Class I
<b>Connector (line side)</b>	IEC C14 according to IEC/EN 60320-2-2; EU Schuko plug CEE7/VII; UK plug BS1363; US NEMA5-15 plug standard or hospital grade (UL817); CH plug SEV 1011; JP plug JIS8303 Other plugs on request
<b>Flammability corresponding to</b>	Plugs: UL94 V-2 or better; Cable: IEC 60332-1 Cat. F2

### Features and benefits

- | Power cord with locking system for IEC inlets
- | Protection class I (IL 13, IL 13P)
- | Suitable for use with any C14 IEC inlet (IL 13, IL 13P) and C20 IEC inlet (IL 19)
- | Fits the complete Schaffner IEC inlet filter program with C14 IEC inlet and C20 IEC inlet (IL 19)
- | Max. pin temperature 70 °C

### Typical applications

- | Data centers
- | Industrial equipment
- | Medical devices
- | In-vitro diagnostic devices
- | Broadcasting stations
- | Mobile applications

### Technical specifications IL19

<b>Maximum continuous operating voltage</b>	250 VAC, 50/60 Hz
<b>Rated currents</b>	16A (IEC)
<b>Operating frequency</b>	50 to 400 Hz
<b>High potential test voltage</b>	P-> PE 2000 VAC (1min 50 Hz) P -> N 2000 VAC (1min 50 Hz)
<b>Protection category</b>	IP20 according IEC 60529
<b>Temperature range (operation and storage)</b>	-25 °C to +70 °C
<b>Cable</b>	2 m; 3 x 1.50 mm <sup>2</sup> ; H05 VV-F; 6 ft; 3 x AWG14 SJT; black; other lengths or colors on request
<b>Connector (load side)</b>	IEC C19 according to IEC/EN 60320-2-2 with IEC lock, UL 498, CSA C22.2 no. 42 (for cold conditions) pin temperature 70 °C, 16 A, Protection Class I
<b>Connector (line side)</b>	C20 according to IEC/EN 60320-2-2; EU Schuko plug CEE7/VII angled; UK plug BS1363 angled; US plug NEMA5-15 straight; other plugs on request
<b>Flammability corresponding to</b>	Plugs: UL94 V-2 or better; Cable: IEC 60332-1 Cat. F2

## Cable selection table IL13

<b>IL13-C14-H05-3100-200</b>	IEC cable assembly with locking system for IEC C14 inlet, EU version
<b>IL13-C14-SVT-3100-183</b>	IEC cable assembly with locking system for IEC C14 inlet, US version
<b>IL13-CH1-H05-3100-X*</b>	IEC cable assembly with locking system for IEC C14 inlet, CH version
<b>IL13-EU1-H05-3100-X*</b>	IEC cable assembly with locking system for IEC C14 inlet, EU version
<b>IL13-JP1-HVCTF-3125-X*</b>	IEC cable assembly with locking system for IEC C14 inlet, JP version
<b>IL13-SE-H05-3100-X*</b>	IEC cable assembly with locking system for IEC C14 inlet, stripped ends
<b>IL13-UK1-H05-3100-200</b>	IEC cable assembly with locking system for IEC C14 inlet, UK version
<b>IL13-US1-SVT-3100-Y*</b>	IEC cable assembly with locking system for IEC C14 inlet, US version
<b>IL13-US2-SJT-3100-Y*</b>	IEC cable assembly with locking system for IEC C14 inlet, US version, hospital grade

To compile a complete part number, please replace the x\*or y\* with the required length:

- X\* options = 200, 300, 400
- Y\* options = 6, 9 and 12 feet

Product selector IL13	
IL13-yyy-zzz-aaaa-bbb:	
<b>Cable length:</b>	183–6 feet (183 cm) (only for US versions) 200–200 cm 275–9 feet (275 cm) (only for US versions) 300–300 cm 366–12 feet (366 cm) (only for US versions) 400–400 cm 500–500 cm 10000–1000 cm Others: on request
<b>Cable core:</b>	3100 – 3 × 1.00 mm <sup>2</sup> (US: AWG 18) 3125 – 3 × 1.25 mm <sup>2</sup> (only for Japanese version) 3130 – 3 × 16 awg (for US version) 3150 – 3 × 1.5 mm <sup>2</sup> 3160 – 3 × 14 awg (for US version) Others: on request
<b>Cable type:</b>	H05–H05VV-F HVCTF SJT SVT Others: on request
<b>Line side plug:</b>	C14 – IEC C14, male, straight CH1 – SEV1011, straight EU1 – CEE 7/VII, right angled JP1 – JIS8303, straight SE – with stripped ends UK1 – BS1363, right angled fused 5A for IL13 US1 – NEMA5-15, straight US2 – NEMA5-15, straight, hospital grade according to UL817 Others: on request
<b>Load side IL13:</b>	IEC C13 female plug, straight, lock

## Cable selection table IL13P

<b>IL13P-C14-H05-3100-200</b>	IEC cable assembly with locking system + for IEC C14 inlet, EU version
<b>IL13P-CH1-H05-3100-200</b>	IEC cable assembly with locking system + for IEC C14 inlet, CH version
<b>IL13P-EU1-H05-3100-200</b>	IEC cable assembly with locking system + for IEC C14 inlet, EU version
<b>IL13P-JP1-HVCTF-3125-200</b>	IEC cable assembly with locking system + for IEC C14 inlet, JP version
<b>IL13P-SE-H05-3100-200</b>	IEC cable assembly with locking system + for IEC C14 inlet, stripped ends
<b>IL13P-UK1-H05-3100-200</b>	IEC cable assembly with locking system + for IEC C14 inlet, UK version
<b>IL13P-US1-SJT-3160-Y*</b>	IEC cable assembly with locking system + for IEC C14 inlet, US version

To compile a complete part number, please replace the x\*or y\* with the required length:

- X\* options = 200, 300, 400
- Y\* options = 6, 9 and 12 feet

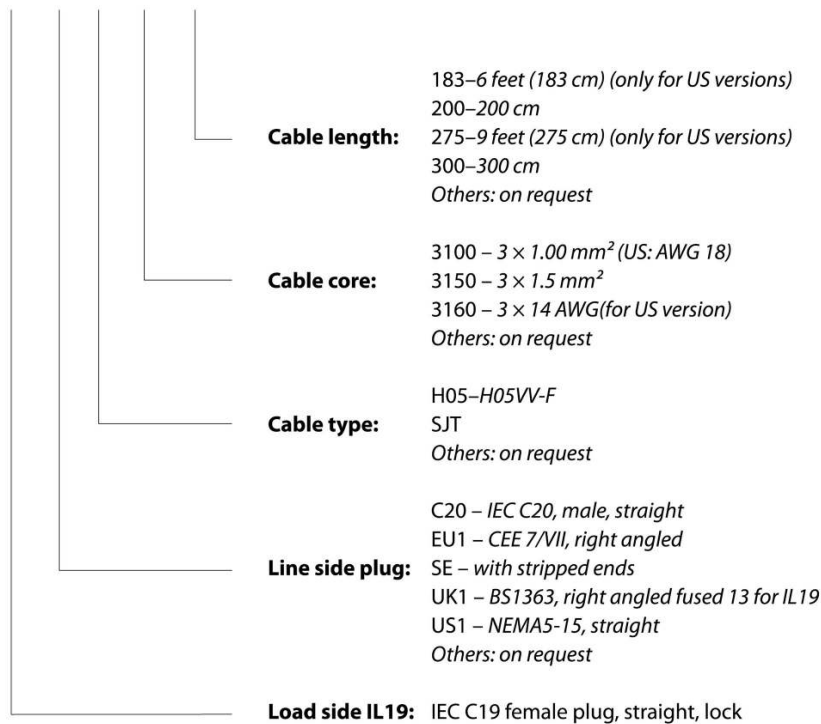
Product selector IL13P	
IL13P-yyy-zzz-aaaa-bbb:	
<b>Cable length:</b>	183–6 feet (183 cm) (only for US versions) 200–200 cm 275–9 feet (275 cm) (only for US versions) 300–300 cm 366–12 feet (366 cm) (only for US versions) 400–400 cm 500–500 cm 10000–1000 cm Others: on request
<b>Cable core:</b>	3100 – 3 × 1.00 mm <sup>2</sup> (US: AWG 18) 3125 – 3 × 1.25 mm <sup>2</sup> (only for Japanese version) 3130 – 3 × 16 awg (for US version) 3150 – 3 × 1.5 mm <sup>2</sup> 3160 – 3 × 14 awg (for US version) Others: on request
<b>Cable type:</b>	H05–H05VV-F HVCTF SJT SVT Others: on request
<b>Line side plug:</b>	C14 – IEC C14, male, straight CH1 – SEV1011, straight EU1 – CEE 7/VII, right angled JP1 – JIS8303, straight SE – with stripped ends UK1 – BS1363, right angled fused 5A for IL13 US1 – NEMAS-15, straight US2 – NEMAS-15, straight, hospital grade according to UL817 Others: on request
<b>Load side IL13P:</b>	IEC C13 Plus female plug, straight, lock

## Cable selection table IL19

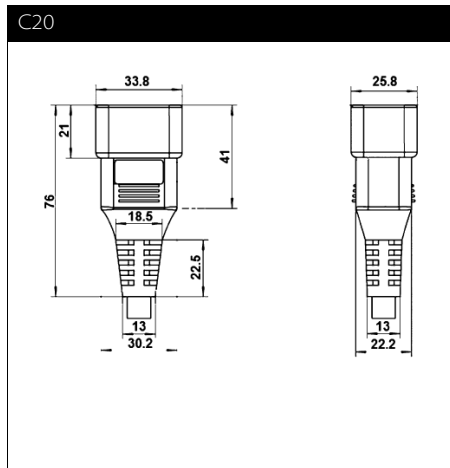
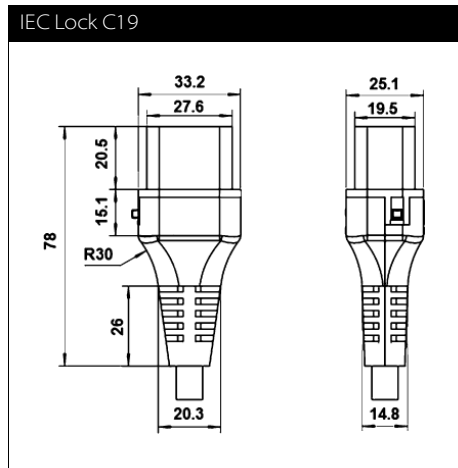
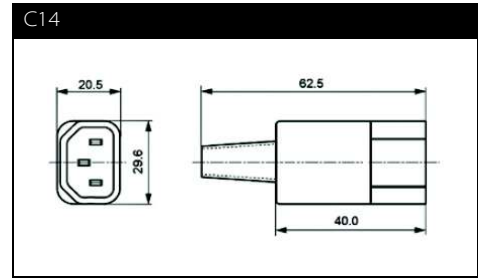
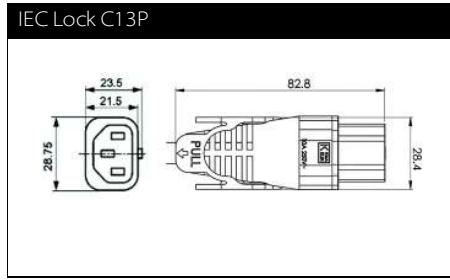
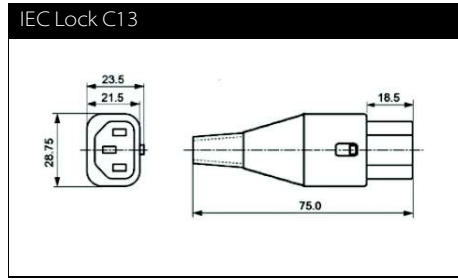
<b>IL19-C20-H05-3150-200</b>	IEC cable assembly with locking system for IEC C20 inlet, EU version
<b>IL19-C20-SJT-3160-183</b>	IEC cable assembly with locking system for IEC C20 inlet, US version
<b>IL19-EU1-H05-3150-200</b>	IEC cable assembly with locking system for IEC C20 inlet, EU version
<b>IL19-SE-H05-3150-200</b>	IEC cable assembly with locking system for IEC C20 inlet, stripped ends
<b>IL19-UK1-H05-3150-200</b>	IEC cable assembly with locking system for IEC C20 inlet, UK version
<b>IL19-US1-SJT-3160-183</b>	IEC cable assembly with locking system for IEC C20 inlet, US version

### Product selector IL19

IL19-yyy-zzz-aaaa-bbb:



**Mechanical data**



Please visit [www.schaffner.com](http://www.schaffner.com) to find more details on filter connectors.



## Headquarters, global innovation and development center

### Switzerland

#### Schaffner Group

Nordstrasse 11  
4542 Luterbach  
T +41 32 6816 626  
F +41 32 6816 630  
[info@schaffner.com](mailto:info@schaffner.com)  
<http://www.schaffner.com>



## Sales and application centers

### China

#### Schaffner EMC Ltd. Shanghai

T20-3, No 565 Chuangye Road  
Pudong New Area  
201201 Shanghai  
T +86 21 3813 9500  
F +86 21 3813 9501 / 02  
[cschina@schaffner.com](mailto:cschina@schaffner.com)  
<http://www.schaffner.com.cn/>

### Finland

#### Schaffner Oy

Sauvonrinne 19 H  
08500 Lohja  
T +358 19 35 72 71  
[finlandsales@schaffner.com](mailto:finlandsales@schaffner.com)

### France

#### Schaffner EMC S.A.S.

112 Quai de Bezons  
Boîte postale 133  
95100 Argenteuil  
T +33 1 34 34 30 60  
F +33 1 39 47 02 28  
[francesales@schaffner.com](mailto:francesales@schaffner.com)

### Germany

#### Schaffner Deutschland GmbH

Schoemperlenstrasse 12B  
76185 Karlsruhe  
T +49 721 56910  
F +49 721 569110  
[germanysales@schaffner.com](mailto:germanysales@schaffner.com)

### Italy

#### Schaffner EMC S.r.l.

Via Galileo Galilei 47  
20092 Cinisello Balsamo (MI)  
T +39 02 66 04 30 45 /47  
F +39 02 61 23 943  
[italysales@schaffner.com](mailto:italysales@schaffner.com)

### Japan

#### Schaffner EMC K.K.

1-32-12, Kamiyama, Setagaya-ku  
7F Mitsui-seimei Sangenjaya Bldg.  
154-0011 Tokyo  
T +81 3 5712 3650  
F +81 3 5712 3651  
[japansales@schaffner.com](mailto:japansales@schaffner.com)  
<http://www.schaffner.jp>

### Singapore

#### Schaffner EMC Pte Ltd.

Blk 3015A Ubi Road 1  
05-09 Kampong Ubi Industrial Estate  
408705 Singapore  
T +65 6377 3283  
F +65 6377 3281  
[singaporesales@schaffner.com](mailto:singaporesales@schaffner.com)

### Spain

#### Schaffner EMC España

Calle Caléndula 93, Miniparc III, Edificio E,  
Alcobendas  
Miniparc III, Edificio E  
El Soto de la Moraleja  
Alcobendas  
28109 Madrid  
M +34 618 176 133  
T +34 917 912 900  
F +34 917 912 901  
[spainsales@schaffner.com](mailto:spainsales@schaffner.com)

### Sweden

#### Schaffner EMC AB

Turebergstorg 1, 6  
19147 Sollentuna  
T +46 8 5792 1121 / 22  
F +46 8 92 96 90  
[swedensales@schaffner.com](mailto:swedensales@schaffner.com)

### Switzerland

#### Schaffner EMV AG

Nordstrasse 11  
4542 Luterbach  
T +41 32 681 66 26  
F +41 32 681 66 41  
[switzerlandsales@schaffner.com](mailto:switzerlandsales@schaffner.com)

### Taiwan R.O.C.

#### Schaffner EMV Ltd.

6 Floor, No. 413  
Rui Guang Road  
114 Neihu District Taipei City  
T +886 2 87525050  
F +886 2 87518086  
[taiwansales@schaffner.com](mailto:taiwansales@schaffner.com)

### Thailand

#### Schaffner EMC Co. Ltd.

Northern Region Industrial Estate  
67 Moo 4 Tambon Ban Klang  
Amphur Muang P.O. Box 14  
51000 Lamphun  
T +66 53 58 11 04  
F +66 53 58 10 19  
[thailandsales@schaffner.com](mailto:thailandsales@schaffner.com)

### UK

#### Schaffner Ltd.

5 Ashville Way  
Molly Millars Lane  
Wokingham  
RG41 2PL Berkshire  
T +44 118 9770070  
F +44 118 9792969  
[uksales@schaffner.com](mailto:uksales@schaffner.com)  
<http://www.schaffner.uk.com>

### USA

#### Schaffner EMC Inc.

52 Mayfield Avenue  
08837 Edison, New Jersey  
T +1 800 367 5566  
T +1 732 225 9533  
F +1 732 225 4789  
[usasales@schaffner.com](mailto:usasales@schaffner.com)  
<http://www.schaffner.com/us>

#### Schaffner MTC LLC

6722 Thirlane Road  
24019 Roanoke, Virginia  
T +1 276 228 7943  
F +1 276 228 7953  
<http://www.schaffner-mtc.com>

#### Schaffner Trencos LLC

2550 Brookpark Road  
44134 Cleveland, Ohio  
T +1 216 741 5282  
F +1 216 741 4860  
<http://schaffner-trencos.com>

To find your local partner within Schaffner's global network: [www.schaffner.com](http://www.schaffner.com)

© 2015 Schaffner Group

The content of this document has been carefully checked and understood. However, neither Schaffner nor its subsidiaries assume any liability whatsoever for any errors or inaccuracies of this document and the consequences thereof. Published specifications are subject to change without notice. Product suitability for any area of application must ultimately be determined by the customer. In all cases, products must never be operated outside their published specifications. Schaffner does not guarantee the availability of all published products. This disclaimer shall be governed by substantive Swiss law and resulting disputes shall be settled by the courts at the place of business of Schaffner Holding AG. Latest publications and a complete disclaimer can be downloaded from the Schaffner website. All trademarks recognized.