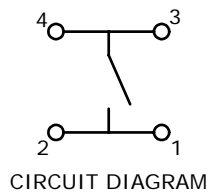


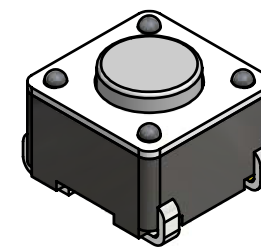
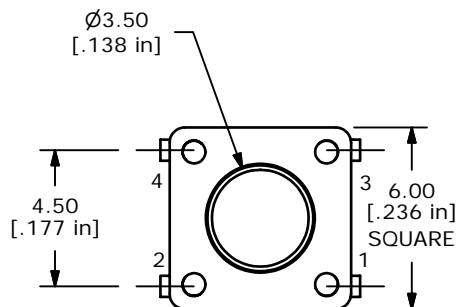
P.C.B. LAYOUT



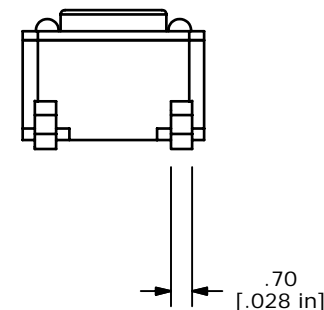
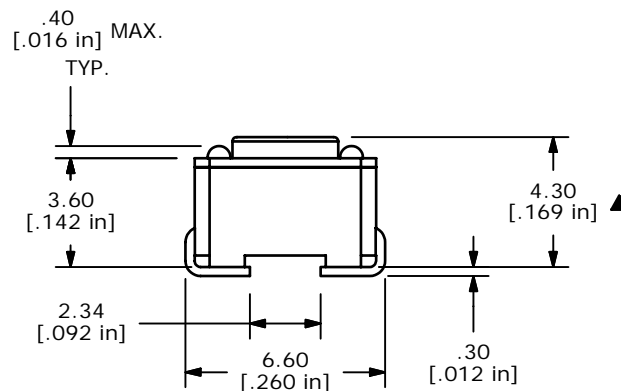
CIRCUIT DIAGRAM

NOTES:

1. ALL DIMENSIONS IN MM
2. GENERAL TOLERANCE: X.X=±0.4
X.XX=±0.25
3. TERM. NOS. FOR REFERENCE ONLY.
4. RATING: 12VDC, 50mA
- ▲ 5. OPERATING FORCE: 160 ± 50 gms
6. TRAVEL: 0.25mm +0.2/-0.1
7. CONTACT RESISTANCE: 100 MILLI OHMS MAX. (INITIAL)
8. MECHANICAL/ELECTRICAL LIFE 100,000 CYCLES MIN.
- ▲ 9. SILVER CONTACTS
- ▲ 10. PACKAGE: 1,100 PCS PER TAPE AND REEL
11. ▲ DENOTES CRITICAL PARAMETER
12. 2002/95/EC (ROHS) COMPLIANT



ISOMETRIC



E-SWITCH®

TITLE TL3301NF160QJ

| | | | | |
|-----|--------|-----------------|--------|----|
| C | 15949 | REVISED REDRAWN | 4/5/06 | PH |
| REV | PCR NO | DESCRIPTION | DATE | BY |

| | | | | |
|-------|----------|----|---------|-----|
| SCALE | DATE | DR | DWG | REV |
| 4:1 | 4/6/2006 | -- | P010514 | C |

THE INFORMATION CONTAINED IN THIS DOCUMENT IS PROPRIETARY TO E-SWITCH AND IS NOT TO BE COPIED OR TRANSFERRED