

NOTES:

- 1.0 ELECTRICAL SPECIFICATIONS:
 1.1 FREQUENCY RANGE: 0.5 to 18.0 GHz
 1.2 INSERTION LOSS: $(0.5+0.20f)$ dB MAX.,
 WHERE f =FREQUENCY IN GHz
 1.3 ISOLATION: 16dB MIN.
 1.4 VSWR (MAX): 1.50:1
 1.5 OUTPUT UNBALANCE:
 AMPLITUDE: 0.5dB MAX.
 PHASE: 10°
 1.6 MAX. INPUT POWER: 30 WATTS

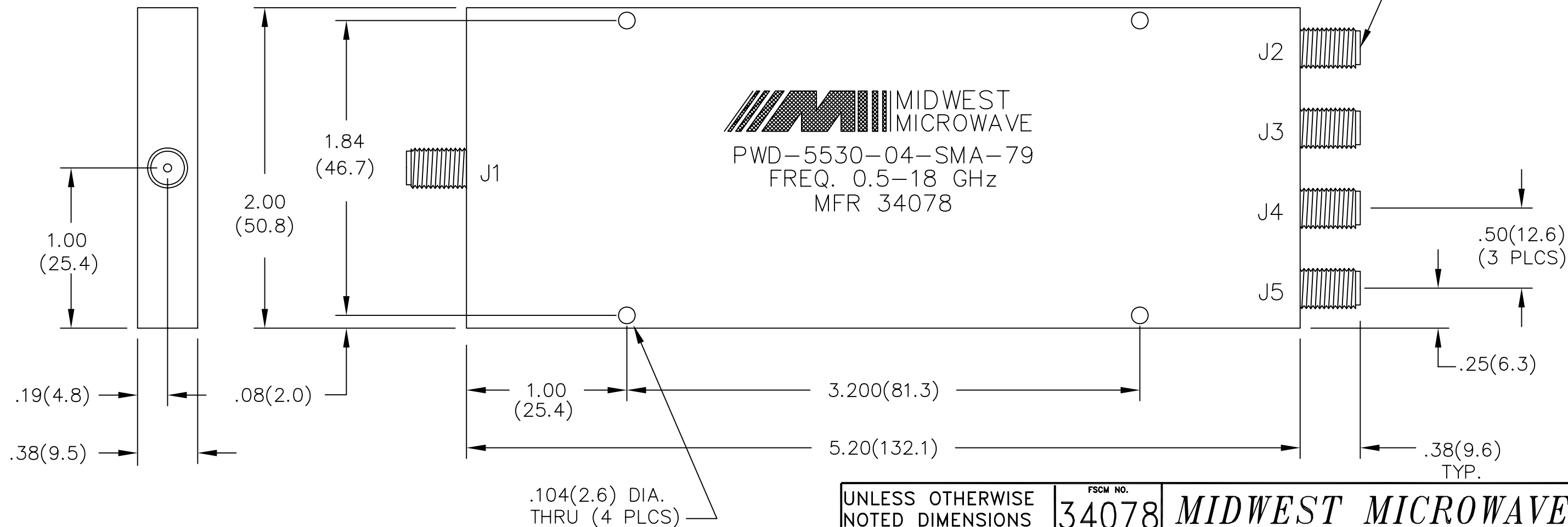
- 2.0 FINISHING:
 2.1 GREY PER MIL-E-15090 TYPE II, CLASS 2
 OVER MIL-C-5541 CLASS 3A
 MEETS MIL-F-14072
 MEETS MIL-E-5400

- 2.2 MARKING: MARK UNIT AS SHOWN
 (REF.: SLK-09423-82-04)

- 3.0 DIMENSIONS IN PARENTHESIS ARE
 IN MILLIMETERS.

MODEL NUMBER
 PWD-5530-04-SMA-79
 REV.
 A

SMA JACK PER
 MIL-PRF-39012
 TYP (5 PLCS)



REV.	-	A
DESCRIPTION	RELEASED	ECN 18585
DATE	6/1/95	6/17/02

UNLESS OTHERWISE NOTED DIMENSIONS ARE IN INCHES AND TOLERANCES ARE: 3 PLACE DECIMALS ±.005 2 PLACE DECIMALS ±.02 FRACTIONS ±1/64 PARALLELITY: T.I.R. _____ FLATNESS: T.I.R. _____ CONCENTRICITY: T.I.R. _____ ANGLES AND PERPENDICULARITY: ±1'	FSCM NO. 34078	MIDWEST MICROWAVE
	NOTICE: The information contained in this drawing is proprietary and must not be used without the permission of Midwest Microwave	
DRAWING NUMBER PWD-5530-04-SMA-79		TITLE POWER DIVIDER
CHECKED/DATE A.BEATTY 5/26/95	ENG./DATE J.O.NEIL 6/1/95	SCALE: 1=1 SHEET 1 of 1