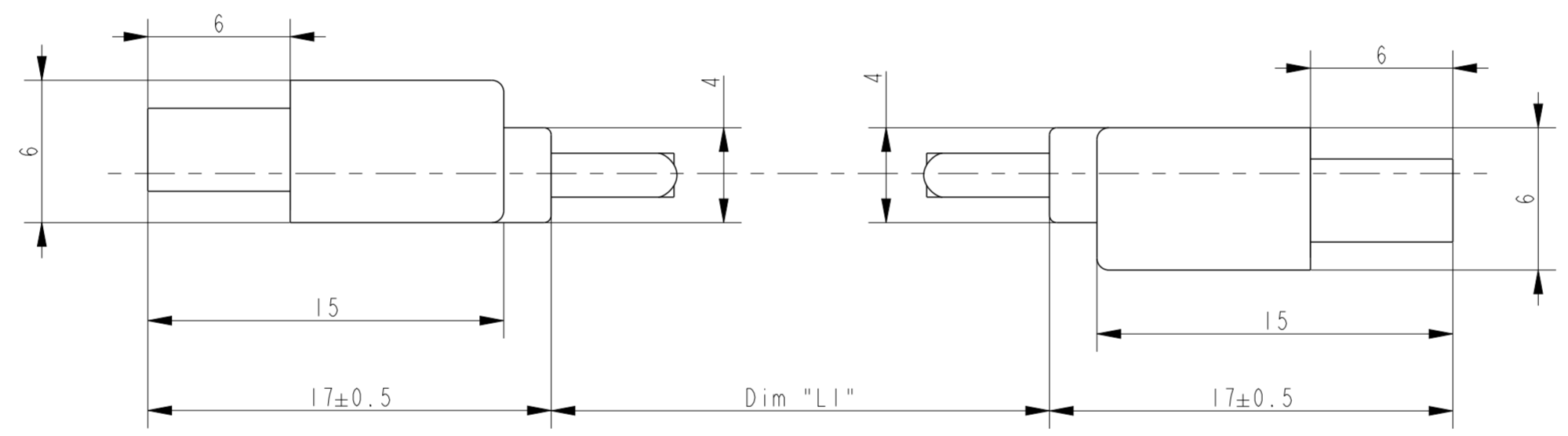
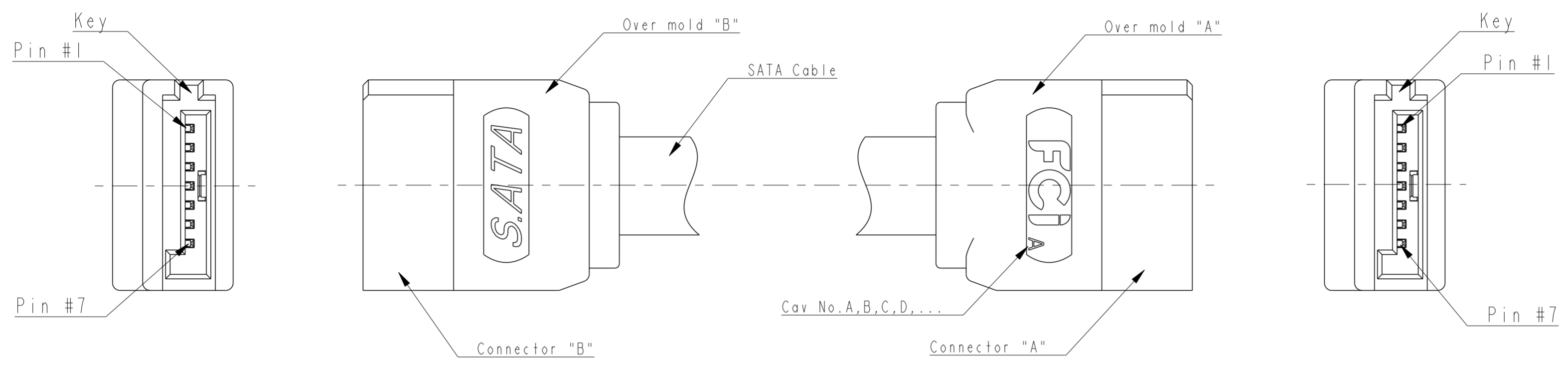
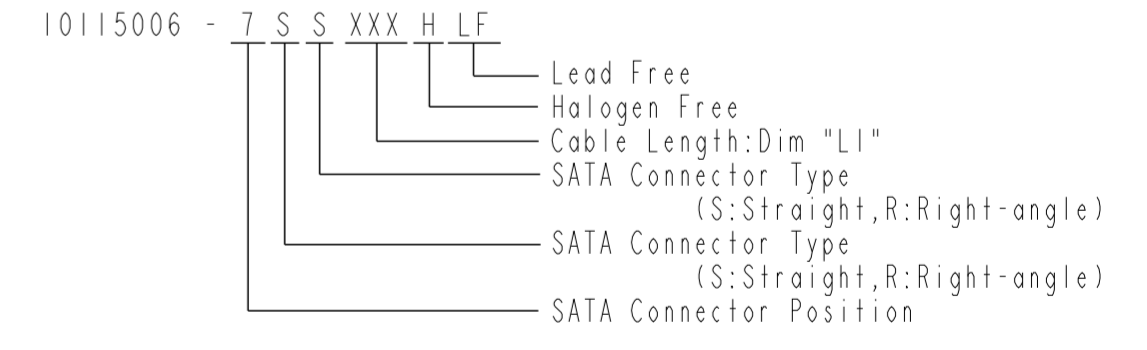


Product No.	Dim "L1"	Connector "A" and "B"	Over mold "A" and "B"	SATA Cable	Solder	Remarks
10115006-7SSXXHLF	XXX±10	SATA 7P Receptacle connector Straight type Housing,Back Cover: Heat resistant resin, Halogen Free, UL94V-0, Color Black Contact: Copper Alloy Contact Area:Gold plating over Ni plating	Heat resistant resin, Halogen Free, UL94V-0, Color Black	80°C 30V AWG30 Halogen Free,VW-1, with F mark, Color Black	Sn96.5-Ag3.0-Cu0.5 Lead Free	For Product No. composition, see NOTE 7.

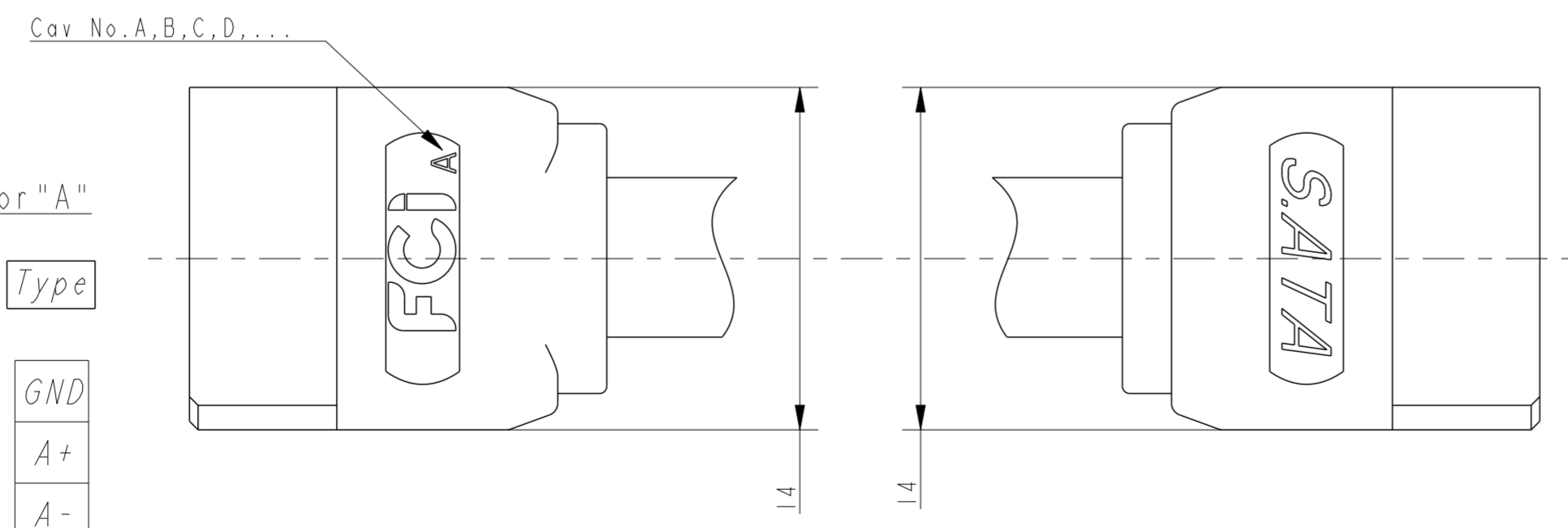


NOTE)  
 1) This product is based on Serial ATA Revision 3.0.  
 2) This product is manufactured by soldering process.  
 3) About the Dim "L1" length, please inquire to sales person in our company.  
 4) Product SPEC:GS-12-672  
 5) Package SPEC:GS-14-1056  
 6) Application SPEC:GS-20-138  
 7) Product No. composition



Wiring Table:  
Pin Assignment

Connector "B"		Connector "A"	
Type	Pin #	Key	Pin #
GND	#1	Key	#1
A+	#2		#2
A-	#3		#3
GND	#4		#4
B-	#5		#5
B+	#6		#6
GND	#7		#7



spec ref	dr T Ishihita	2011/09/30	projection	MM	size	A2	scale	4.000
tolerance std	eng T Ishihita	2015/05/11	chr -		ecn no	ELX-J-20855-1		
ISO 406	appr Naotaka Sasame	2015/05/12	product family		rel level	Released		
ISO 1101								
surface	linear	0.X ±0.4	0.XX ±0.4	0.XXX ±0.4	angular	0° ±4°	www.fci.com	cat. no.
ISO 1302								
TOLERANCES UNLESS OTHERWISE SPECIFIED			SATA 7P Signal Cable Harness			10115006		
			Straight/Straight Lowpro			C		
			Product - Customer Drw			sheet 1 of 1		