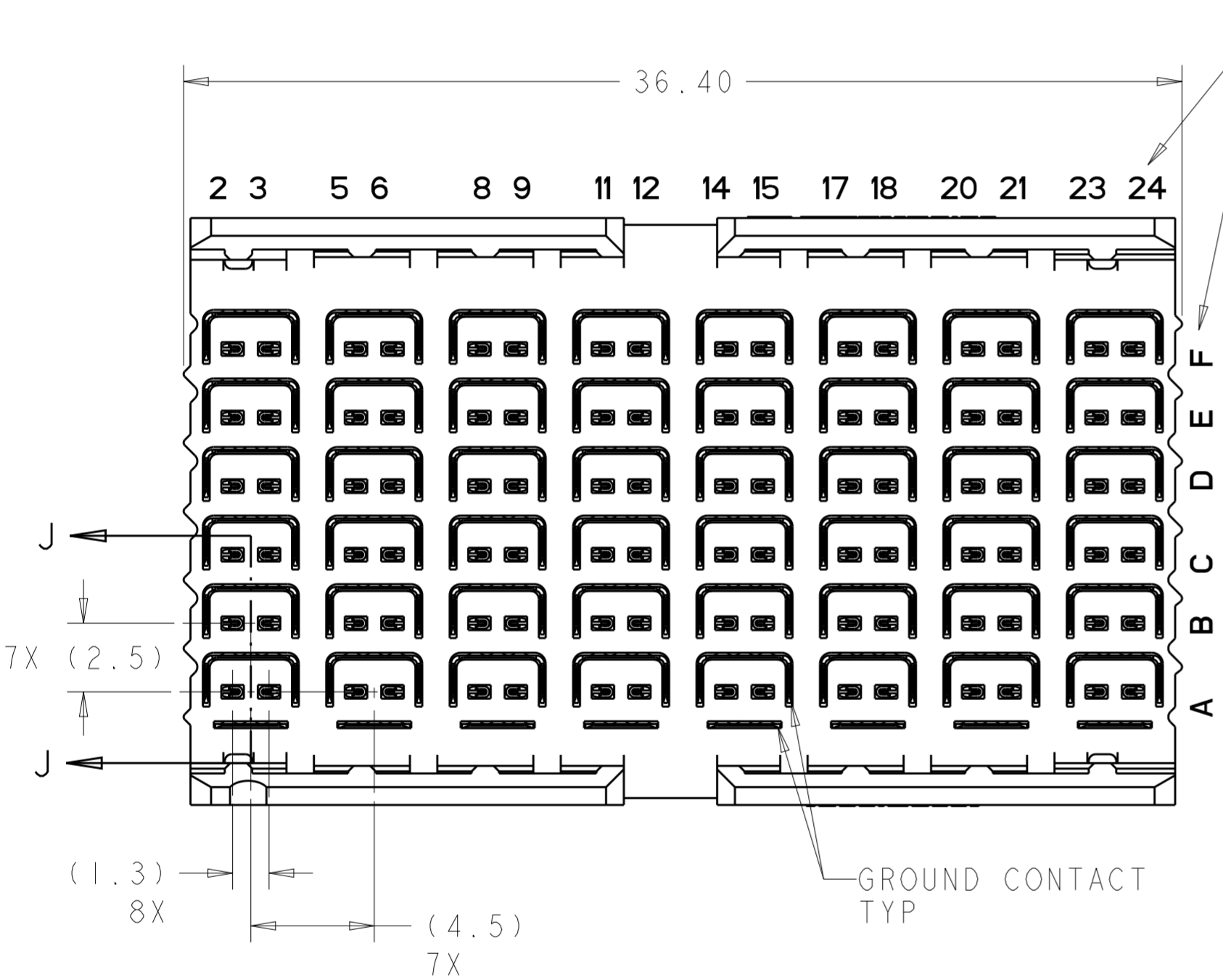
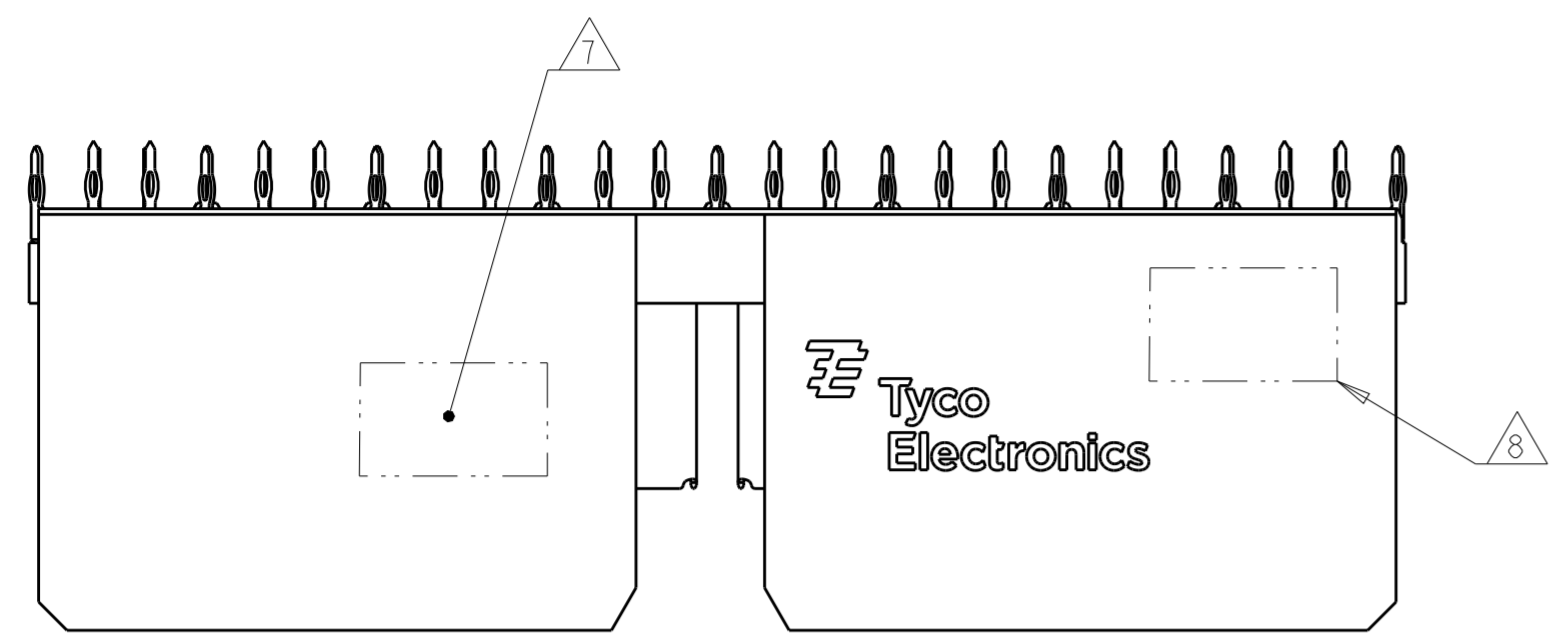
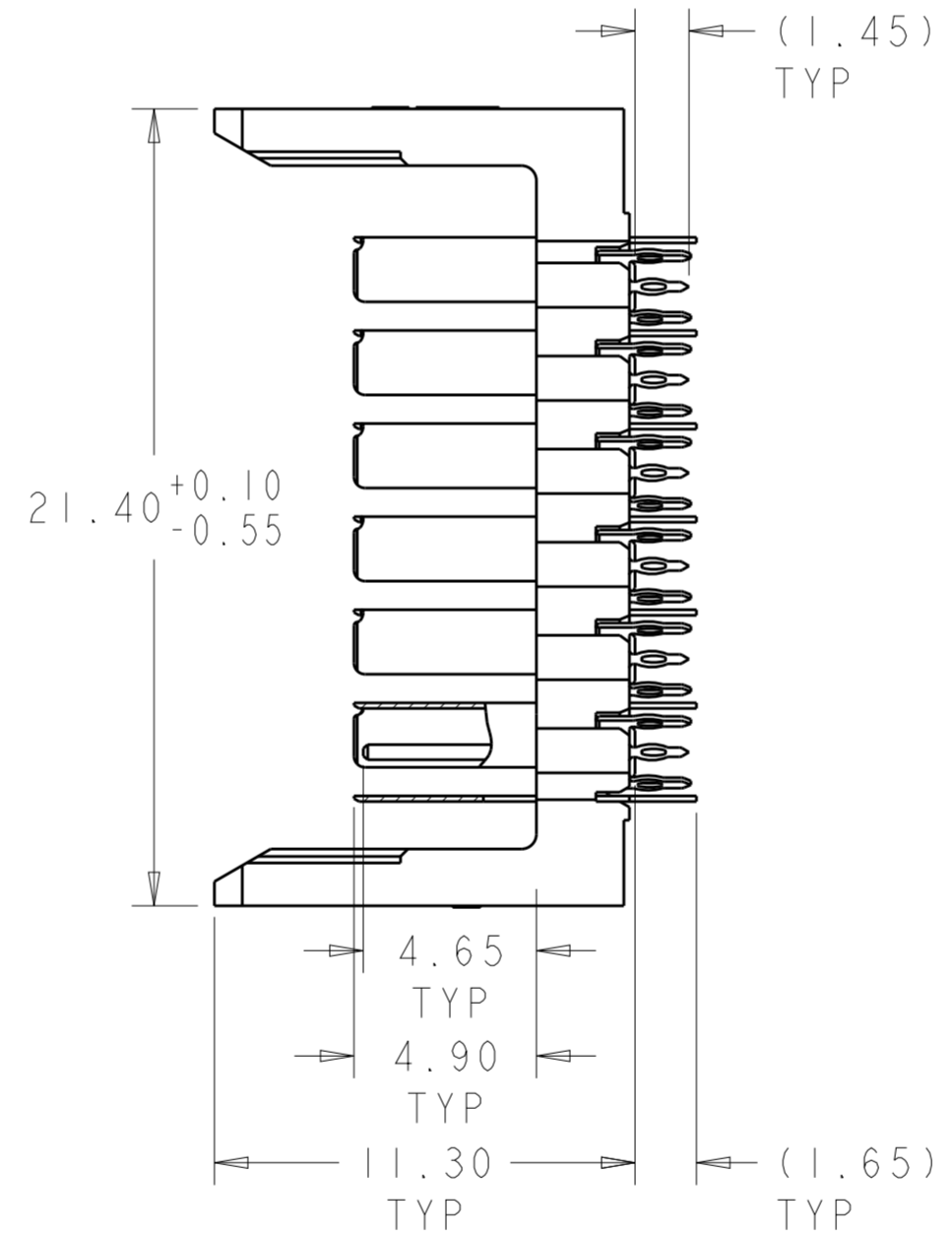


THIS DRAWING IS UNPUBLISHED. RELEASED FOR PUBLICATION 20  
 © COPYRIGHT 20 TE CONNECTIVITY ALL RIGHTS RESERVED.

LOC	DIST	REVISIONS					
GP	00	P	LTR	DESCRIPTION	DATE	DWN	APVD
		A		INITIAL RELEASE	28OCT2013	J.G	C.Z
		B		UPDATED FHS ON NOTE 4	14NOV2013	J.G	C.Z

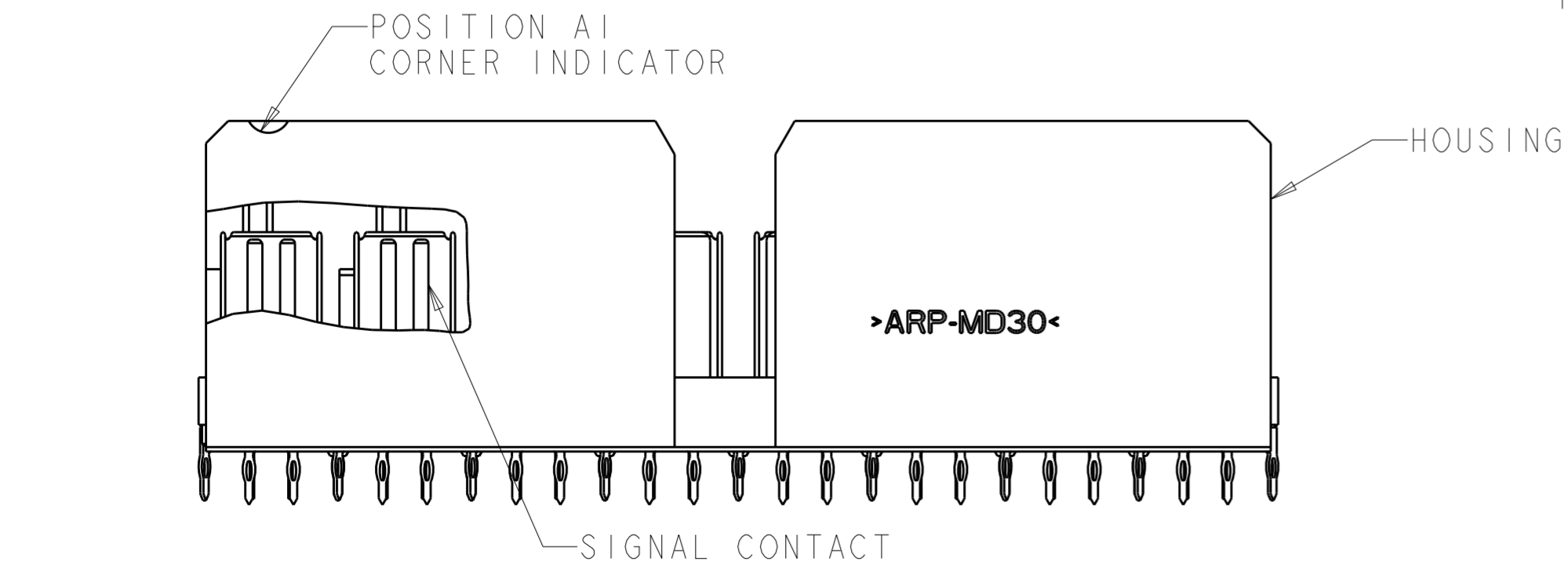


COLUMN NUMBER AND ROW LETTER (LOCATION SAME AS PCB LAYOUT PER SHEET 2)



SECTION J-J

- ① HOUSING: THERMOPLASTIC, UL 94V-0, BLACK. CONTACT: COPPER ALLOY.
- ② CONFORMS TO REQUIREMENTS OF TE PRODUCT SPEC 108-2413, BASED ON TELECORDIA GR-1217-CORE FOR SYSTEM QUALITY LEVEL III APPLICATIONS IN CONTROLLED ENVIRONMENTS (CENTRAL OFFICE).
- ③ CONSULT APPLICATION SPECIFICATION 114-13301.
- ④ PLATED THRU HOLE REQUIREMENTS:  
 FINISHED HOLE =  $\varnothing 0.344 \pm 0.046$ mm  
 DRILLED HOLE BEFORE PLATING =  $\varnothing 0.420 \sim 0.435$ mm  
 COPPER THICKNESS = 0.042mm REF
- ⑤ PLATED THRU HOLE DIMENSIONS APPLY TO 1.00mm DEPTH FROM MOUNT SIDE OF BOARD.
- ⑥ HOLE POSITION TOLERANCE APPLIES WITHIN PATTERN FOR CONNECTOR PATTERN TO CONNECTOR PATTERN, A 0.12 $\text{\textcircled{M}}$  POSITION TOLERANCE APPLIES.
- ⑦ CONNECTOR MARKED WITH PART NUMBER, DATE CODE, AND OPTIONAL MANUFACTURING LOCATION IDENTIFICATION CODE IN APPROXIMATE AREA SHOWN.
- ⑧ CONNECTOR MARKED WITH 2D BARCODE IN APPROXIMATE AREA SHOWN.



96	TIN	2180828-2
96	TIN-LEAD	2180828-1
SIGNAL CONTACT QTY REF	PRESS FIT TAIL PLATING	PART NO

THIS DRAWING IS A CONTROLLED DOCUMENT.

DIMENSIONS: mm	TOLERANCES UNLESS OTHERWISE SPECIFIED:	DWN M. SHIRK 15JUN2011	TE Connectivity
	0 PLC ±	CHK N. SWANGER 15JUN2011	
	1 PLC ±	APVD N. SWANGER 15JUN2011	
	2 PLC ±0.10	NAME	
	3 PLC ±	PRODUCT SPEC	
4 PLC ±	±	APPLICATION SPEC	SIZE CAGE CODE DRAWING NO RESTRICTED TO
ANGLES ±	±	WEIGHT	A200779 C-2180828
FINISH	SEE TABLE	CUSTOMER DRAWING	SCALE 5:1 SHEET 1 OF 2 REV B

THIS DRAWING IS UNPUBLISHED. RELEASED FOR PUBLICATION 20  
 © COPYRIGHT 20 TE CONNECTIVITY ALL RIGHTS RESERVED.

LOC	DIST	REVISIONS					
GP	00	P	LTR	DESCRIPTION	DATE	DWN	APVD
		-		SEE SHEET 1			

