

NOTES:

1.0 MATERIALS:

- 1.1 HOUSING AND COUPLING NUT: STAINLESS STEEL PER QQ-S-764 AND ASTM-A-582, TYPE 303.
- 1.2 CENTER CONTACT: BERYLLIUM COPPER ROD ALLOY C172, PER QQ-C-530.
- 1.3 DIELECTRIC: PTFE FLUOROCARBON PER MIL-P-19468 AND L-P-403

2.0 PLATING:

- 2.1 HOUSING AND COUPLING NUT: PASSIVATED PER QQ-P-35 AND MIL-F-14072.
- 2.2 CENTER CONTACT: GOLD PER MIL-G-45204 TYPE II, CLASS 2

3.0 MECHANICAL:

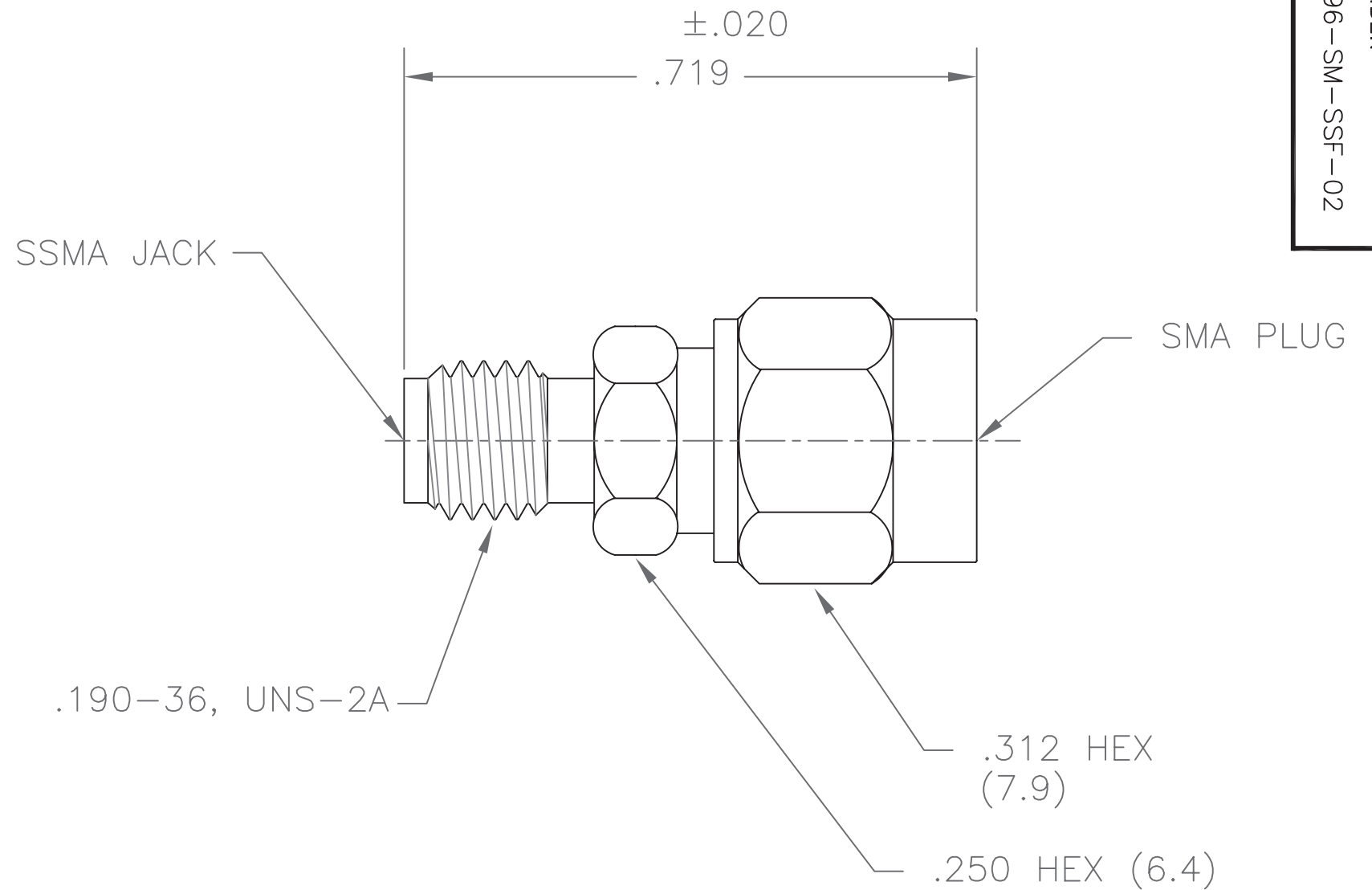
- 3.1 INTERFACE DIMENSIONS PER MIL-STD-348 FIGS 310-1 AND 319-2
- 3.2 CENTER CONTACT CAPTURED IN ACCORDANCE MIL-A-55339

4.0 DIMENSIONS IN PARENTHESIS ARE MILLIMETERS.

5.0 MAX V.S.W.R.:

- DC-12.4GHZ: 1.06+.009F GHZ
- 12.4-25.0GHZ: 1.05+.01F GHZ

ALL OTHER MECHANICAL, ELECTRICAL, AND ENVIRONMENTAL CHARACTERISTICS ARE IN ACCORDANCE WITH MIL-A-55339



| | | | |
|---|--|---|--|
| <p>NOTICE: The information contained in this drawing is proprietary and must not be used without the permission of Cinch Connectivity Solutions.</p> <p>UNLESS OTHERWISE NOTED DIMENSIONS ARE IN INCHES AND TOLERANCES ARE: 3 PLACE DECIMALS $\pm .005$ 2 PLACE DECIMALS $\pm .02$ FRACTIONS $\pm 1/64$ PARALLELITY: T.I.R. _____ FLATNESS: T.I.R. _____ CONCENTRICITY: T.I.R. _____ ANGLES AND PERPENDICULARITY: $\pm 1^\circ$</p> | <p>CAGE CODE 34078</p> | <p>MIDWEST MICROWAVE</p> | |
| | <p>cinch CONNECTIVITY SOLUTIONS a bel group</p> | | <p>TITLE ADAPTER SSMA FEMALE TO SMA MALE OUTLINE DRAWING</p> |
| <p>DRAWN/DATE R.FAWSON 2/20/91</p> | <p>ENG./DATE R.FAWSON 2/22/91</p> | <p>DRAWING NUMBER ADT-2696-SM-SSF-02-01</p> | <p>REV. -1</p> |
| <p>CHECKED/DATE A.BEATTY 2/22/91</p> | <p>APPROVED/DATE T.GORDON 2/22/91</p> | <p>SCALE: 5=1</p> | <p>SHEET 1 of 1</p> |

| | | |
|-------------|----------|------------------|
| DATE | 2/25/91 | 3/15/05 |
| DESCRIPTION | RELEASED | ADDED TITLEBLOCK |
| REV. | - | -1 |