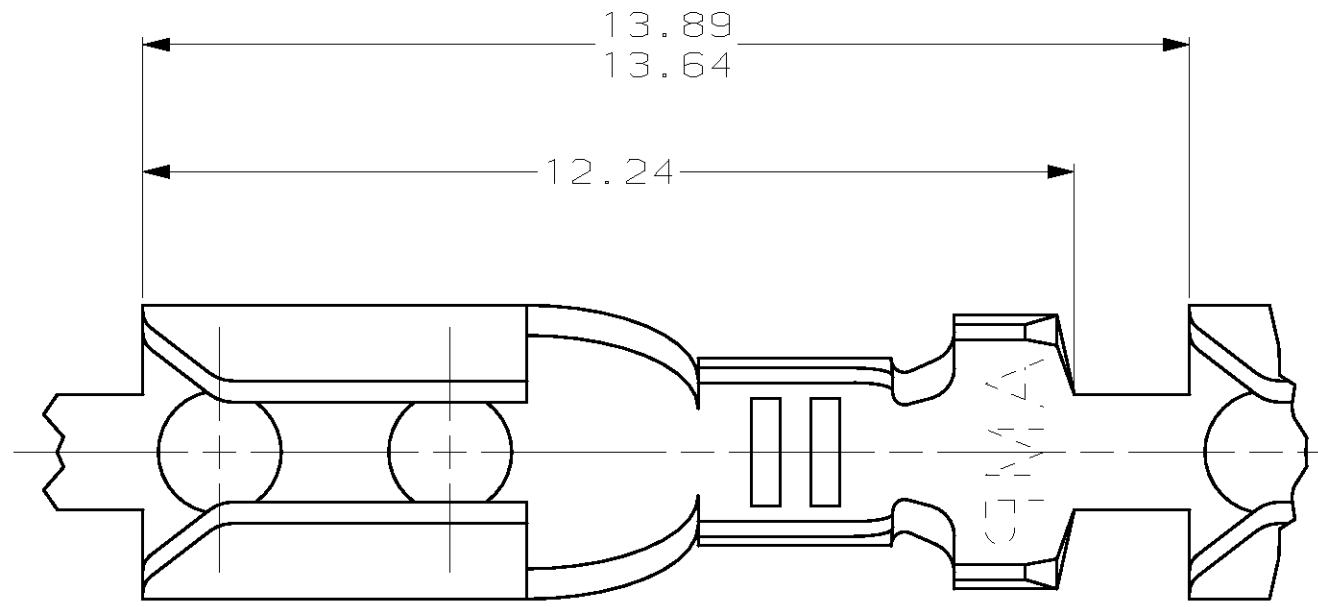
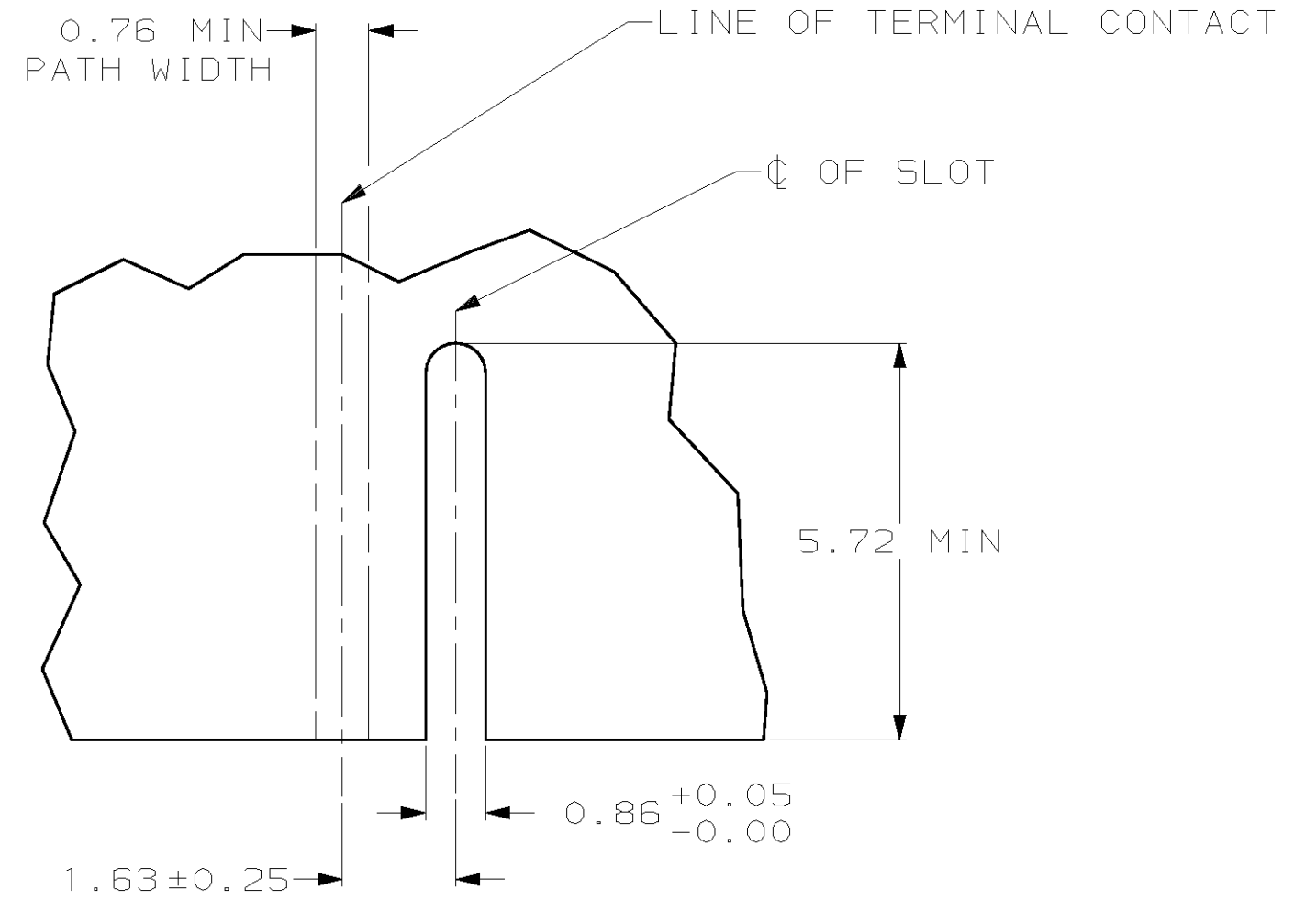


THIS DRAWING IS UNPUBLISHED. RELEASED FOR PUBLICATION  
 (C) COPYRIGHT 19 BY AMP INCORPORATED. ALL RIGHTS RESERVED.

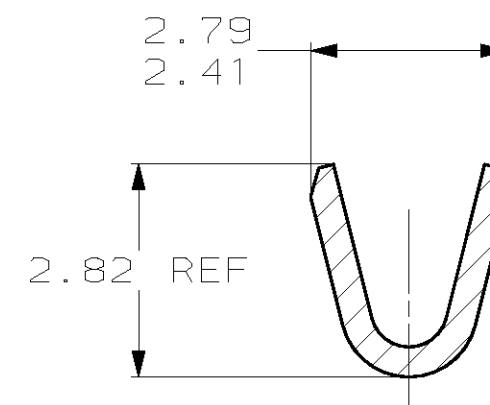
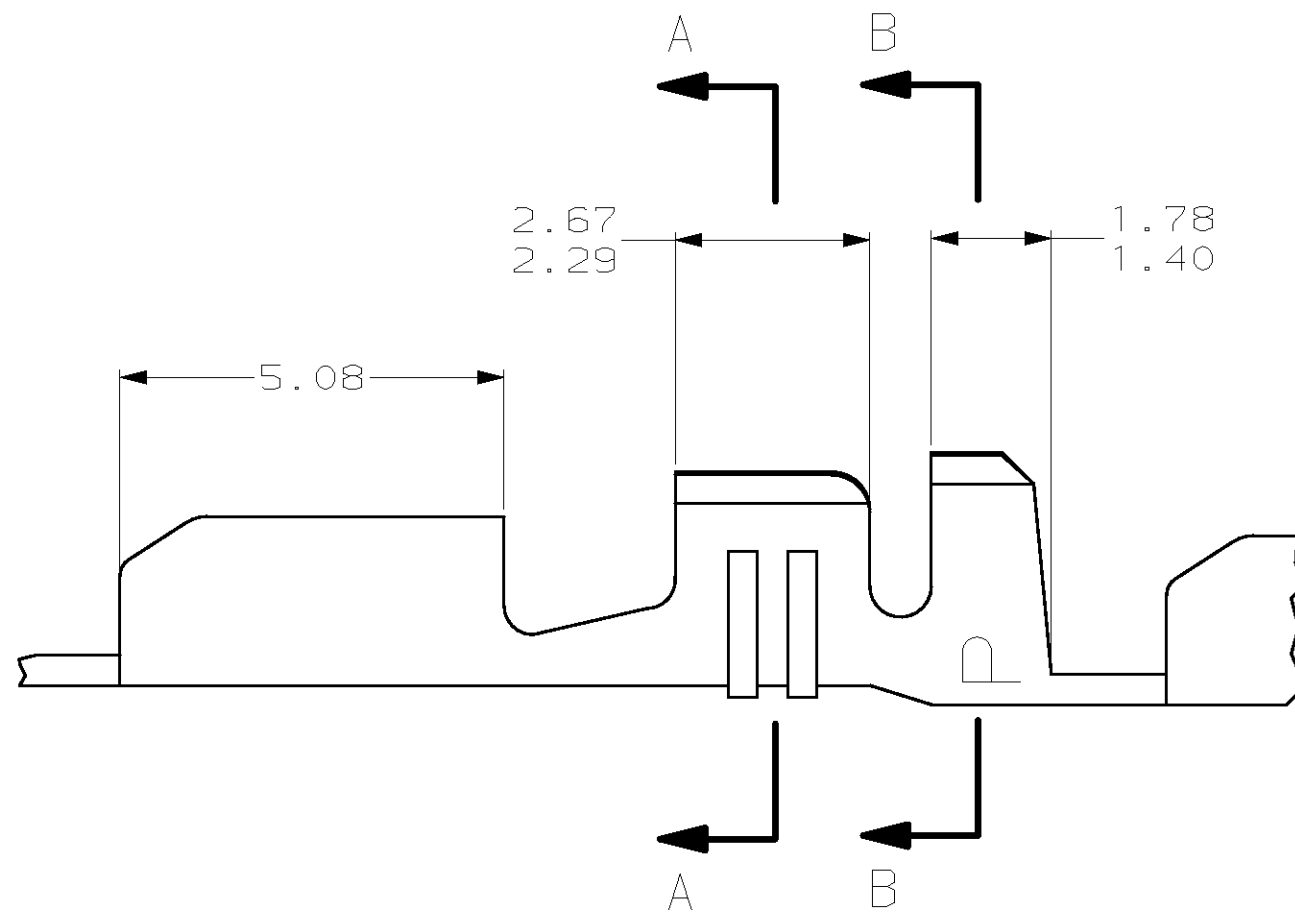
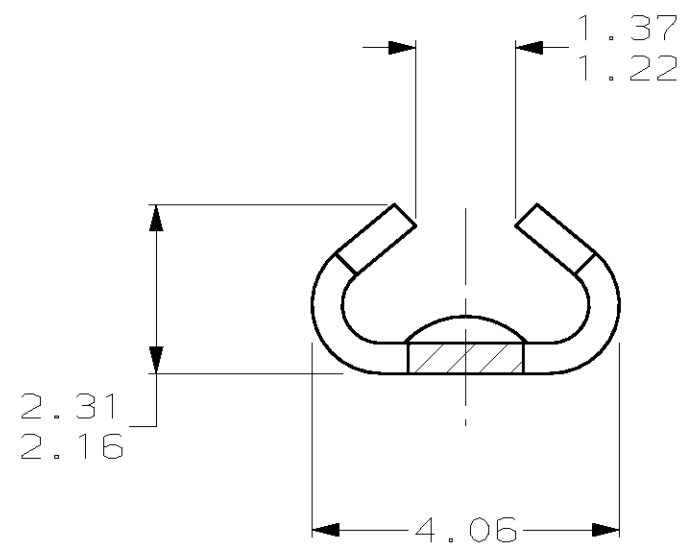
LOC		DIST		REVISIONS			
P	LTR	DESCRIPTION	DATE	DWN	APVD		
G		REV & REDWN PER EC 0L30-0096-97	1-30-97	TB	RS		



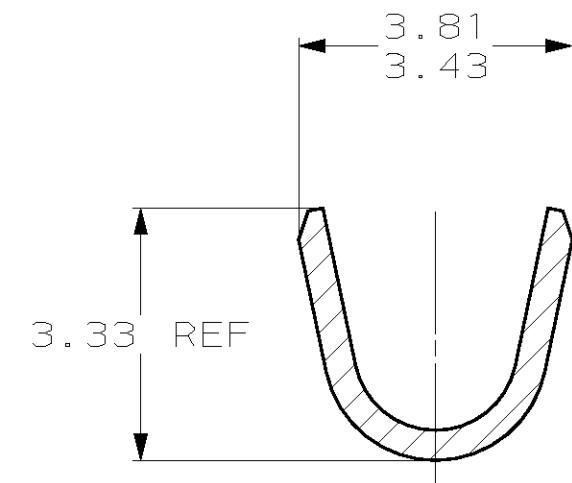
1. WIRE RANGE: 0.3 - 0.9 MM<sup>2</sup> (22 - 18 AWG)
2. INSULATION RANGE: 0.51 - 1.27



RECOMMENDED CUT OUT FOR 1.57 THICK P.C. BOARD



SECTION A-A



SECTION B-B

60156-2  
PART NUMBER

1.22	.048	2.29	.090	3.81	.150	-	-
0.86	.034	2.16	.085	3.43	.135	-	-
0.76	.030	2.03	.080	3.33	.131	13.89	.547
0.41	.016	1.78	.070	2.82	.111	13.64	.537
0.25	.010	1.63	.064	2.79	.110	12.24	.482
0.13	.005	1.57	.062	2.67	.105	5.72	.225
0.05	.002	1.40	.055	2.41	.095	5.08	.200
0.00	.000	1.37	.054	2.31	.091	4.06	.160
MM	IN	MM	IN	MM	IN	MM	IN

CONVERSION TABLE

**METRIC**

THIS DRAWING IS A CONTROLLED DOCUMENT.		DWN	T. BECK	1-30-97
DIMENSIONS: mm		CHK	R. SWING	1-30-97
TOLERANCES UNLESS OTHERWISE SPECIFIED:		APVD	A. BEDDICK	2-05-97
0 PLC ±		PRODUCT SPEC	NAME	
1 PLC ±		APPLICATION SPEC	AMP Incorporated Harrisburg, PA 17105-3608	
2 PLC ±0.13		WEIGHT	TERMINAL, 22-18 AWG, .080-.100 INSULATION, AMP-EDGE™	
3 PLC ±		CUSTOMER DRAWING	SIZE	CAGE CODE
4 PLC ±		SCALE	10:1	DRAWING NO
ANGLES ±		SHEET	1	OF
FINISH		REV	1	G
MATERIAL	0.41 BRASS	RESTRICTED TO	A2 00779 C-60156	