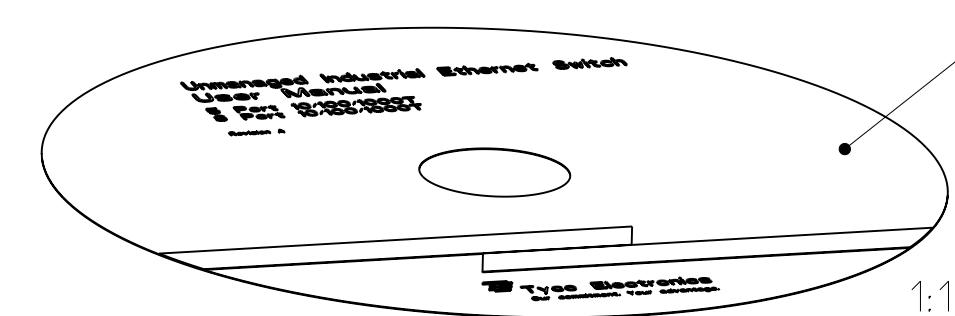
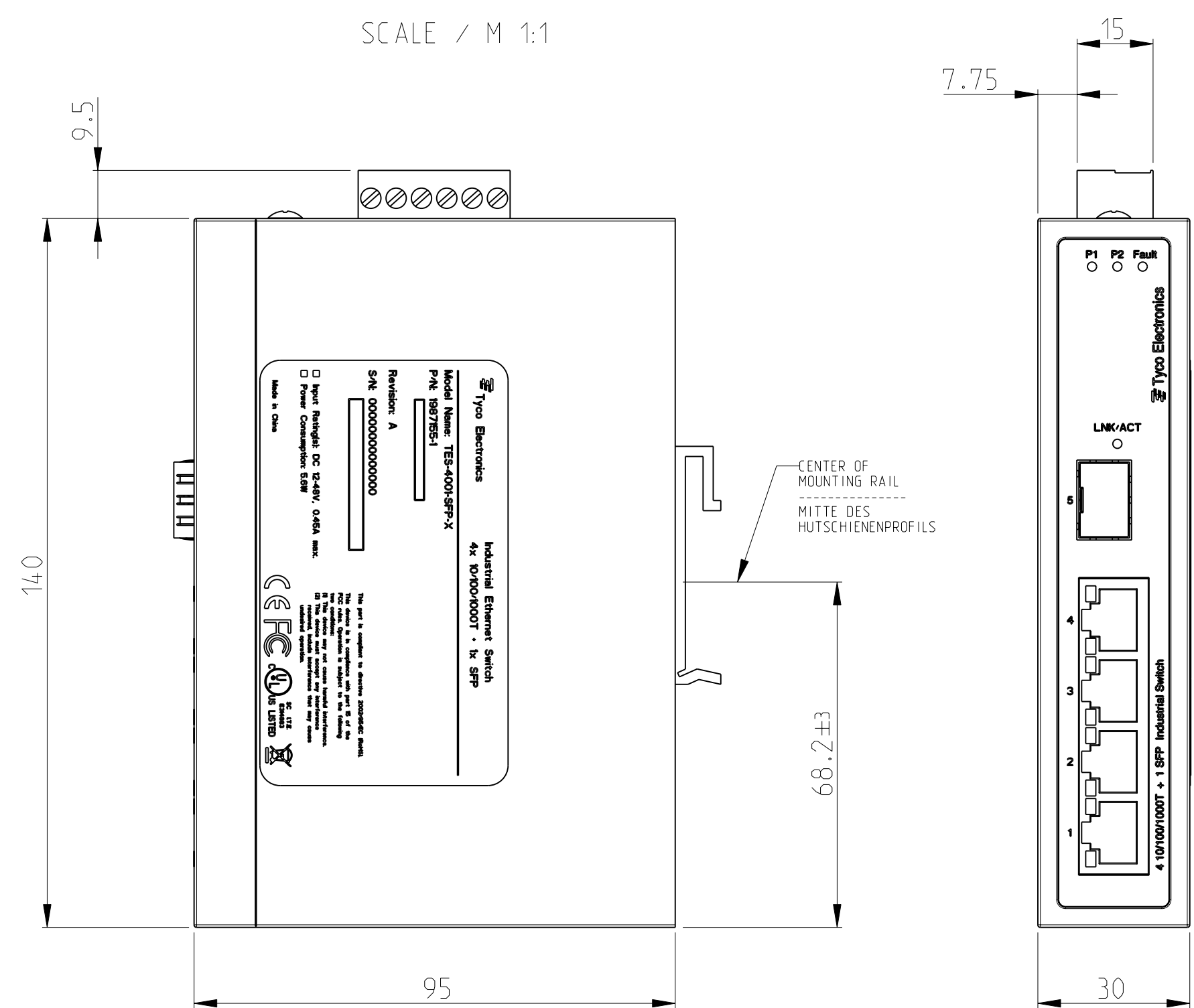


| LOC                    | DIST | REV | DATE                     | BY        | APPD |
|------------------------|------|-----|--------------------------|-----------|------|
| A1                     | -    | P   | 12SEP2007                | STO       | R.K. |
| PROJECT NO. EG00007113 |      | A1  | NEW DRAWING PUBLISHED    | 12SEP2007 | STO  |
|                        |      | A2  | REV. PER PCN E-07-027662 | 16NOV2007 | STO  |
|                        |      | A3  | REV. PER PCN E-08-009570 | 23APR2008 | STO  |

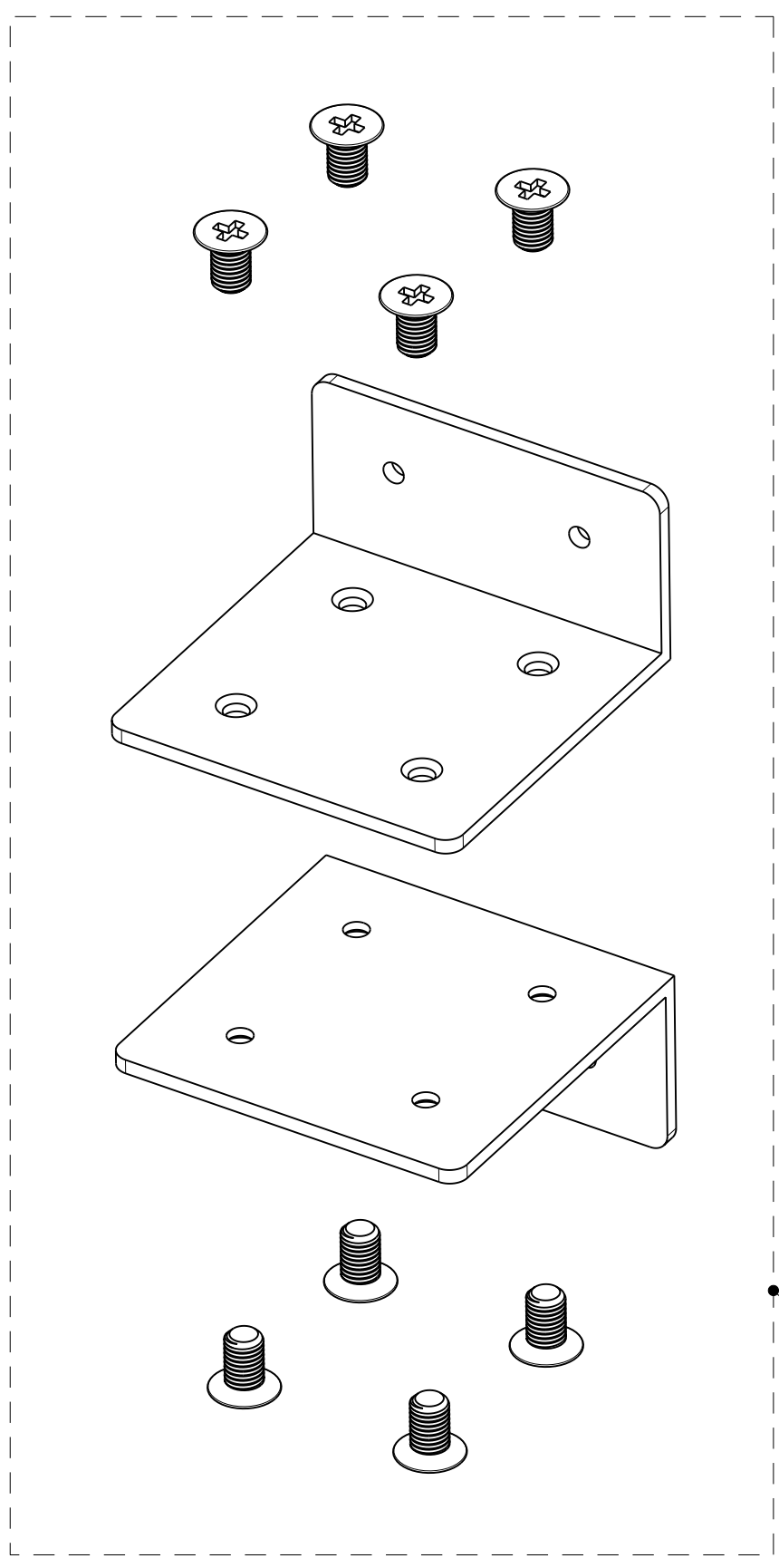
1987155-1 AS SHOWN

SCALE / M 1:1



USER MANUAL CD ENCLOSED  
 BEDIENUNGSANLEITUNGS-CD BEILIEGEND

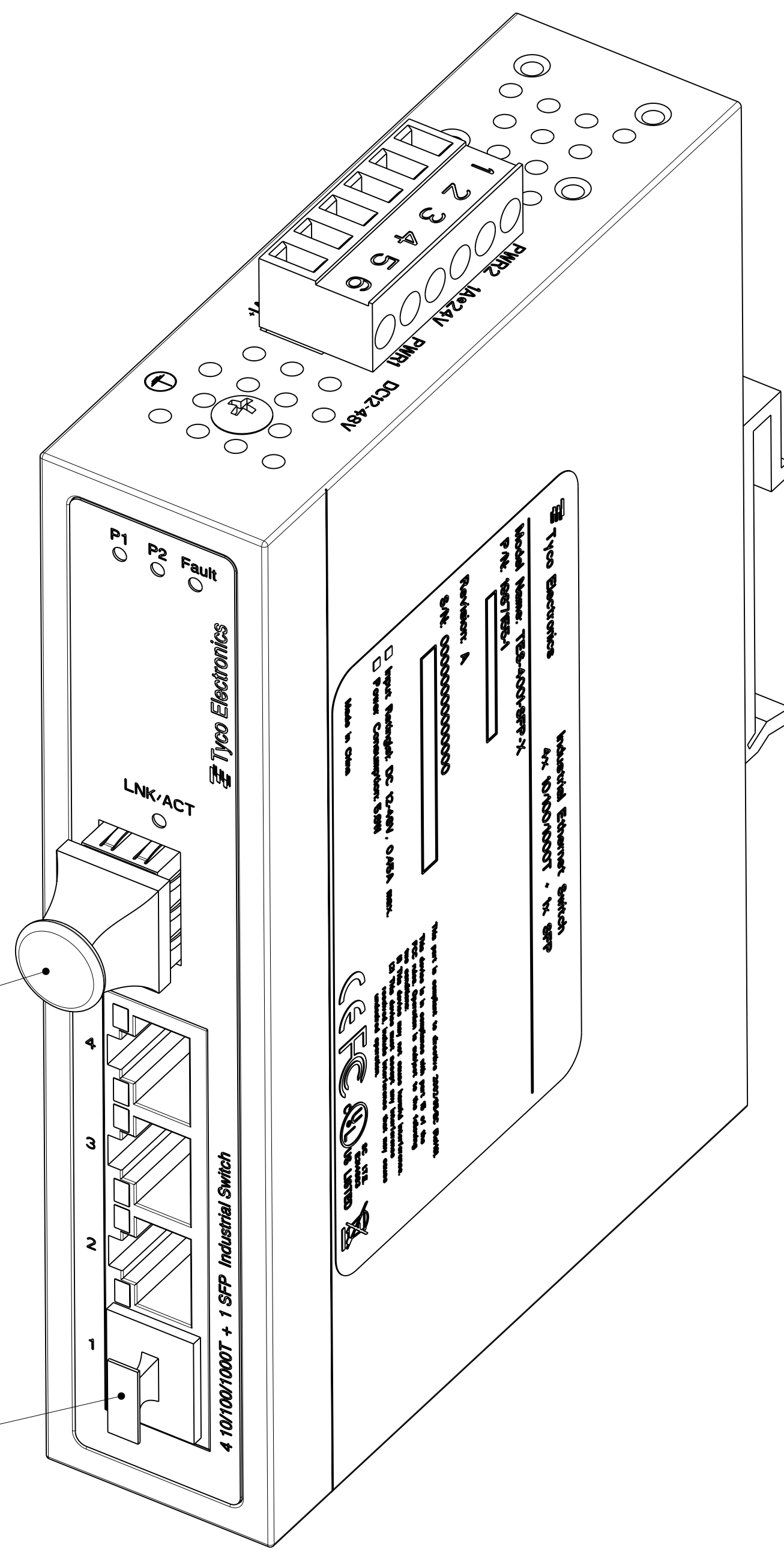
| HARDWARE SPECIFICATION |                              | • DEPENDS ON USED SFP TRANSCEIVER  |
|------------------------|------------------------------|--|
| 1                      | ETHERNET STANDARD COMPLIANCE | IEEE 802.3 - 10BASE-T<br>IEEE 802.3u - 100BASE-TX<br>IEEE 802.3ab - 1000BASE-T<br>IEEE 802.3z - 1000BASE-SX/LX +<br>IEEE 802.3x - FLOW CONTROL AND BACK PRESSURE |
| 2                      | SWITCH ARCHITECTURE          | STORE-AND-FORWARD SWITCHING ARCHITECTURE<br>BACK-PLANE (SWITCHING FABRIC): 10Gbps<br>PACKET THROUGHPUT ABILITY (FULL DUPLEX): 14.88Mpps @ 64bytes                |
| 3                      | TRANSFER RATE                | 10BASE-T PORT: 14.880pps<br>100BASE-TX/FX PORT: 14.880pps<br>1000BASE-T/SX/LX PORT: 1.488.000pps   |
| 4                      | MAC ADDRESS                  | 8K MAC ADDRESS TABLE   |
| 5                      | ETHERNET PORTS               | - 4x 10/100/1000T RJ-45 WITH AUTO MDI/MDI-X SUPPORT<br>- MINI GBIC: 1x SFP SOCKET FOR GIGABIT TRANSCEIVER MODULE   |
| 6                      | LED                          | PER UNIT: POWER 1 (GREEN), POWER 2 (GREEN), FAULT (RED)<br>PER PORT: LINK/ACTIVITY (GREEN), SPEED (GREEN)<br>SFP: LINK/ACTIVITY (GREEN)                          |
| 7                      | POWER SUPPLY                 | WIDE RANGE SUPPLY: 12 TO 48 V DC<br>REVERSE POLARITY PROTECTED<br>OVERLOAD CURRENT PROTECTED (RE-SETTABLE FUSE)  |
| 8                      | POWER CONSUMPTION            | 5.6 WATTS  |



W ALL MOUNTING KIT ENCLOSED  
 W ANDMONTAGE-BAUSATZ BEILIEGEND

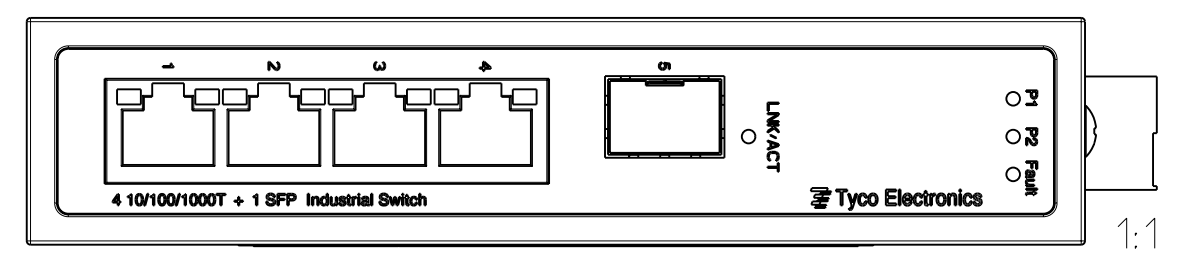
DUST COVER FOR SFP PORT  
 1 x ENCLOSED  
 STAUBSCHUTZKAPPE FÜR SFP EINGANG  
 1 x BEILIEGEND

DUST COVER FOR RJ45 PORT  
 4 x ENCLOSED  
 STAUBSCHUTZKAPPE FÜR RJ45-EINGANG  
 4 x BEILIEGEND

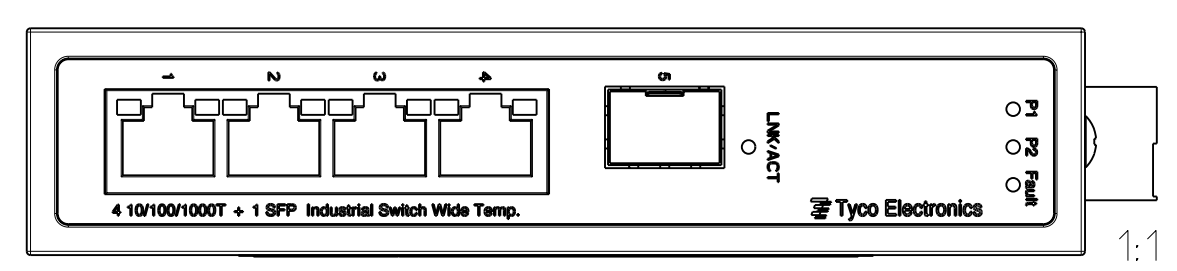


1987155-1 AS SHOWN

FRONT PANEL 1987155-1



FRONT PANEL 1987155-2



| TYCO ELECTRONICS ORDER NO. BESTELL-NR. |               |  |
|--|---------------|--|
| 1987155-2                              | 1987155-1     |  |
| 1                                      | 2             | 4 10/100/1000T + 1 SFP SWITCH TES-4001-SFP-XE<br>WIDE OPERATING TEMPERATURE RANGE -40 °C TO 75 °C    |
| -                                      | 1             | 4 10/100/1000T + 1 SFP SWITCH TES-4001-SFP-X<br>STANDARD OPERATING TEMPERATURE RANGE -10 °C TO 60 °C |
| QUANTITY STÜCK                         | ITEM NO. POS. | DESCRIPTION BENENNUNG  |

|   |  |   |  |
|---|--|---|--|
| DWN: S. STOLZ 12SEP2007<br>CHK: B. BERGNER 12SEP2007<br>APVD: P. KRAEMER 12SEP2007  |  | Tyco Electronics AMP GmbH<br>64625 Bensheim (Germany)                             |  |
| DIMENSIONS: 0 PLC ±0.1<br>1 PLC ±0.1<br>2 PLC ±0.1<br>3 PLC ±0.1<br>4 PLC ±0.1<br>ANGLE SLOTTED: ±0.2°<br>FINISH/COATING/COLOR: - |  | NAME: INDUSTRIAL ETHERNET SWITCH<br>TES-4001-SFP-X(E)<br>4x 10/100/1000T + 1x SFP |  |
| MATERIAL: -   |  | SIZE: A1<br>CAGE CODE: 00779<br>DRAWING NO.: 1987155<br>RESTRICTED TO: -          |  |
| CUSTOMER DRAWING  |  | SCALE: 2:1<br>SHEET: 1 OF 1<br>REV: A3  |  |