

## DETAILS

<b>Product Number</b>	CA12858_EVA-O
<b>Family</b>	Eva
<b>Type</b>	Assembly
<b>Color</b>	black
<b>Diameter</b>	37,7 mm
<b>Height</b>	17,2 mm
<b>Style</b>	round
<b>Optic Material</b>	PMMA
<b>Holder Material</b>	
<b>Fastening</b>	screw, tape
<b>Status</b>	production ready
<b>ROHS Compliant</b>	Yes
<b>Date Updated</b>	29/08/2016

## OPTICAL PROPERTIES

LED	Viewing Angle	Light Beam	Efficiency	cd/lm	Connector
MK-R	38+20 deg	Oval	84 %	2.700	-
LUXEON M/MX	37+20 deg	Oval	84 %	2.700	-



D

C

B

A

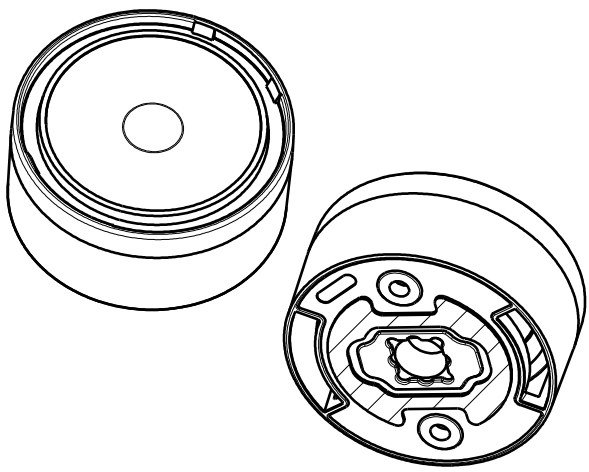
4

3

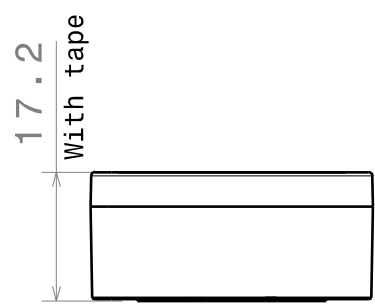
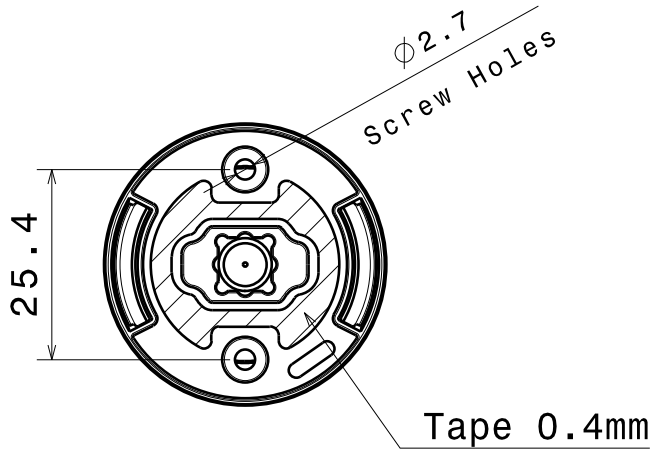
2

1

1

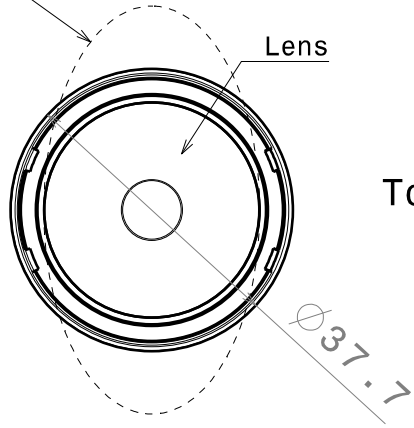


Isometric view



Front view

Oval beam direction



Top view

Materials:  
 Lens PMMA  
 Holder PC, BLACK  
 Tape Pu foam

This drawing is our property.  
 It can't be reproduced  
 or communicated without  
 our written agreement.



Ledil Oy  
 Tehdaskatu 13  
 FIN-24100 SALO  
 Finland

DRAWING TITLE  
**Datasheet EVA-LUXEON-M-WITH-TAPE Assembly**

DRAWN BY  
 mav

DATE  
 12.4.2012

CHECKED BY  
 sn

DATE  
 12.4.2012

SIZE **A4** DRAWING NUMBER

REV  
**1**

DESIGNED BY  
 pl

DATE  
 17.02.2011

SCALE **2:1** WEIGHT (g)

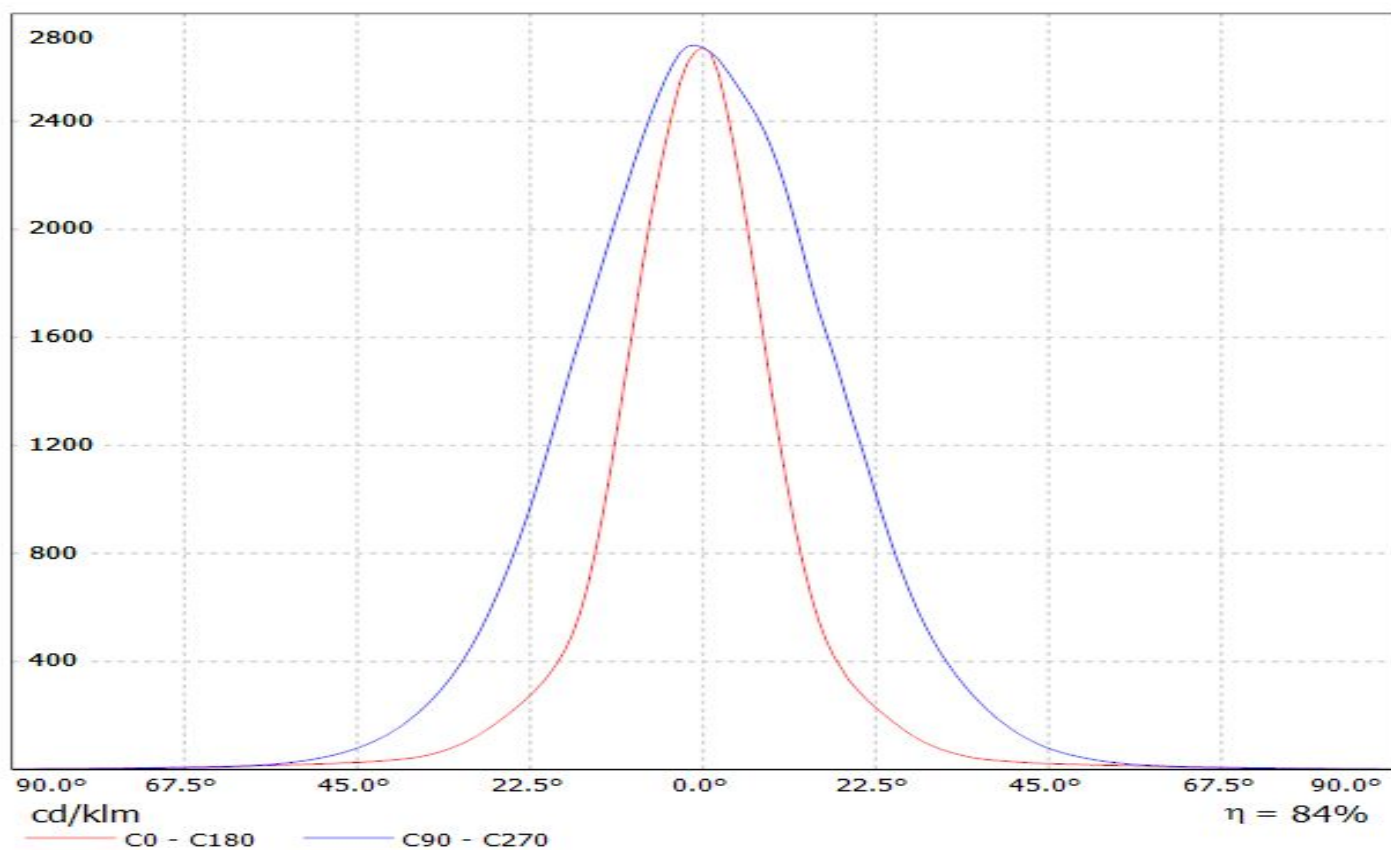
SHEET **1/1**

D

A

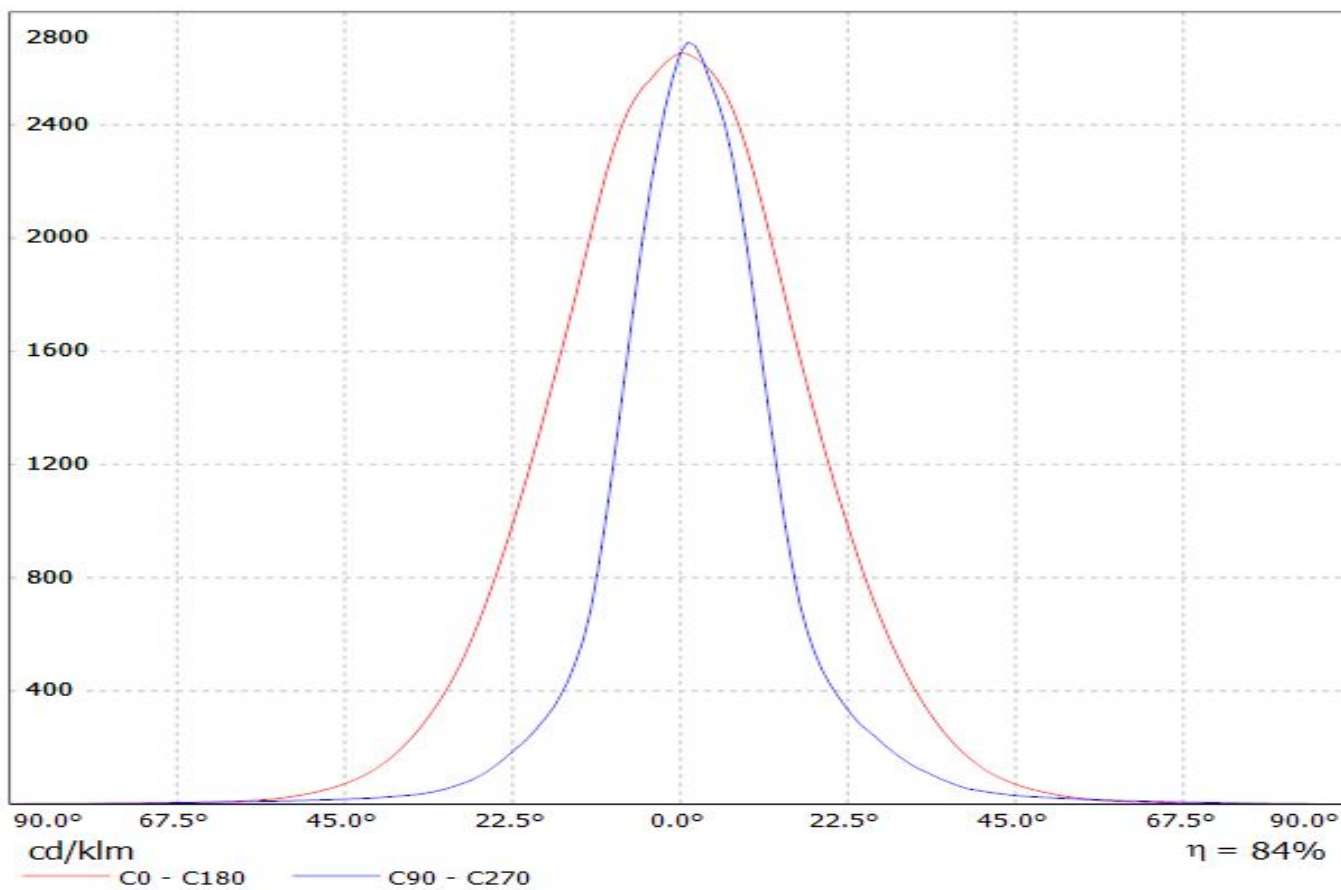
# LEDiL Oy CA12858\_EVA-O\_(MKR) Eff.83,9% / LDC (Linear)

Luminaire: LEDiL Oy CA12858\_EVA-O\_(MKR) Eff.83,9%  
Lamps: 1 x Cree MKR (365lm@250mA)



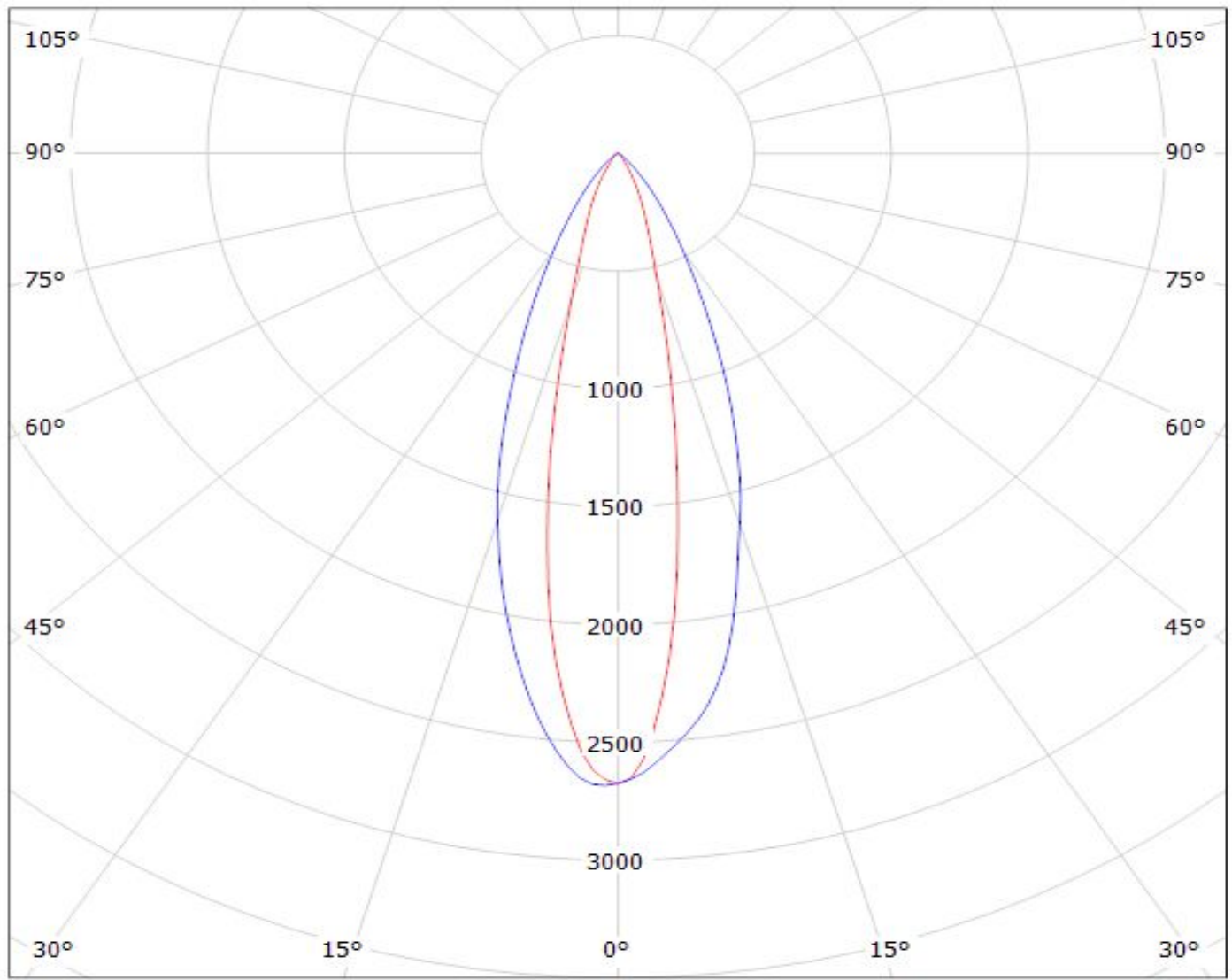
Luminaire: Ledil C15741\_EVA-O-90\_(LUXEON\_M)\_C3

Lamps: 1 x LUXEON\_M\_(LXR8-SW40)\_393.011lm@250mA\_P=2.78011W\_I=0.25A



# LEDiL Oy CA12858\_EVA-O\_(MKR) Eff.83,9% / LDC (Polar)

Luminaire: LEDiL Oy CA12858\_EVA-O\_(MKR) Eff.83,9%  
Lamps: 1 x Cree MKR (365lm@250mA)



cd/klm

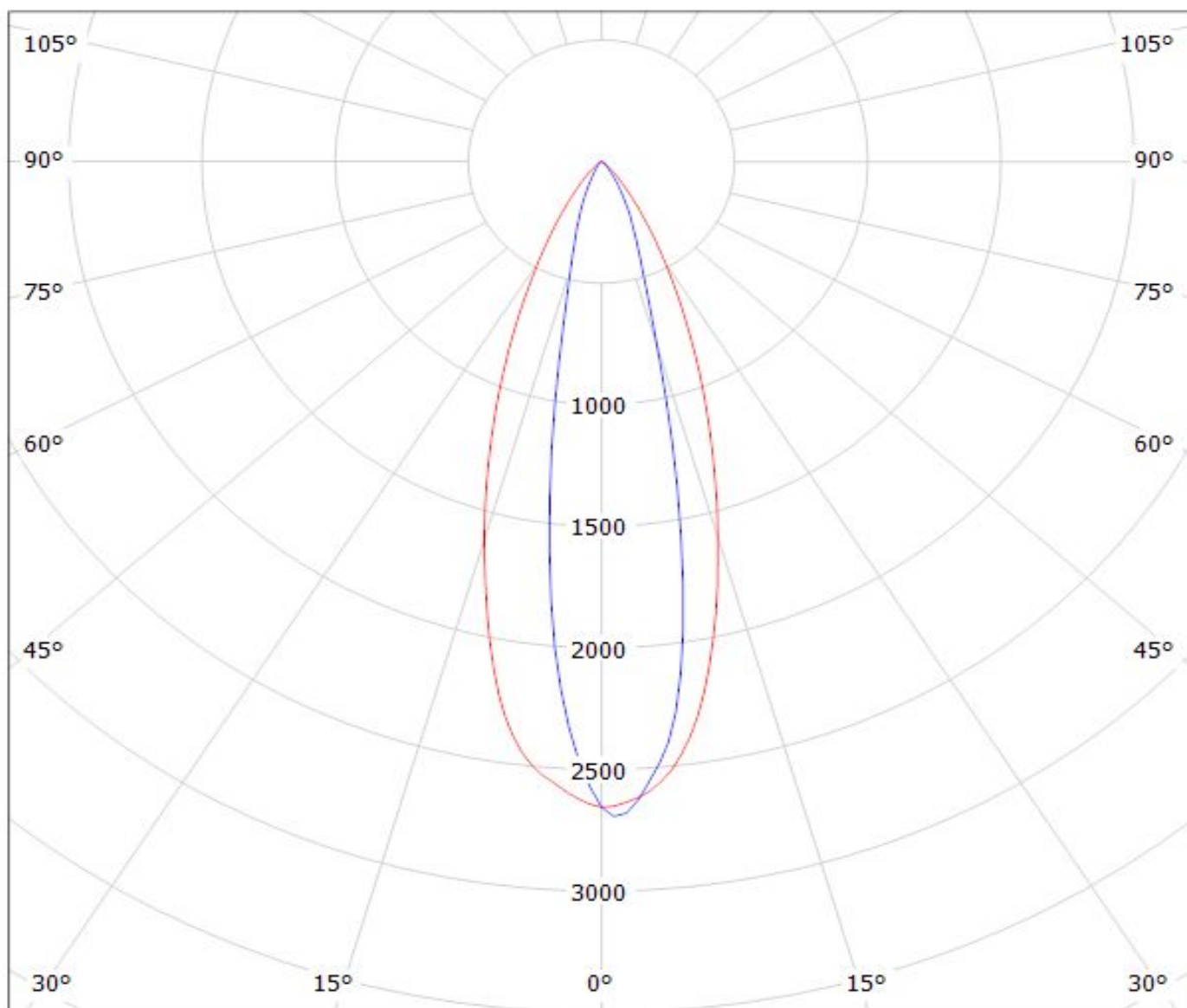
— C0 - C180

— C90 - C270

$\eta = 84\%$

Luminaire: Ledil C15741\_EVA-O-90\_(LUXEON\_M)\_C3

Lamps: 1 x LUXEON\_M\_(LXR8-SW40)\_393.011lm@250mA\_P=2.78011W\_I=0.25A



cd/klm

— C0 - C180

— C90 - C270

$\eta = 84\%$

**NOTE: The typical divergence will be changed by different color, chip size and chip position tolerance. The typical total divergence is the full angle measured where the luminous intensity is half of the peak value.**