

Surge protection controller - PT-IQ-PTB-PT - 2801296

Please be informed that the data shown in this PDF Document is generated from our Online Catalog. Please find the complete data in the user's documentation. Our General Terms of Use for Downloads are valid (<http://phoenixcontact.com/download>)



Controller for power supply and multi-stage, floating remote signaling of connected surge protection modules.

Product Features

- Surge protection system
- Multi-level state monitoring
- Collective message about supply and remote module
- System supplied via DIN rail bus
- Up to 28 protection modules per supply module
- Maximum ease of maintenance thanks to the two-piece design
- Codable plug
- Impedance-neutral disconnection of plug for maintenance purposes
- Base element remains an integral part of the installation



Key commercial data

Packing unit	1 pc
Weight per Piece (excluding packing)	140.0 GRM
Custom tariff number	85363030
Country of origin	Germany

Technical data

Dimensions

Height	109.3 mm
Width	17.7 mm
Depth	77.5 mm
Horizontal pitch	1 Div.

Ambient conditions

Surge protection controller - PT-IQ-PTB-PT - 2801296

Technical data

Ambient conditions

Ambient temperature (operation)	-40 °C ... 70 °C
Ambient temperature (storage/transport)	-40 °C ... 85 °C
Degree of protection	IP20

General

Housing material	PA 6.6
Inflammability class according to UL 94	V-0
Color	jet black RAL 9005
Mounting type	DIN rail: 35 mm
Type	DIN rail module, two-section, divisible

Protective circuit

Nominal voltage U_N	24 V DC
Operating voltage range	20 V DC ... 30 V DC
Nominal current I_N	max. 130 mA (24 V DC) max. 160 mA (20 V DC)
Surge protection fault message	Optical, multi-stage remote indication contact
Max. required back-up fuse	500 mA (T, e.g., according to EN 60127-2)

Connection data

Connection method	Push-in connection
Connection type IN	Push-in connection
Connection type OUT	Push-in connection
Stripping length	10 mm
Conductor cross section flexible min.	0.2 mm ²
Conductor cross section flexible max.	2.5 mm ²
Conductor cross section solid min.	0.2 mm ²
Conductor cross section solid max.	4 mm ²
Conductor cross section AWG min.	24
Conductor cross section AWG max.	12

Connection, equipotential bonding

Connection method	DIN rail NS35
-------------------	---------------

Remote indicator contact

Switching function	2x N/C contacts
Connection method	Push-in connection
Stripping length	10 mm
Conductor cross section flexible min.	0.2 mm ²
Conductor cross section flexible max.	2.5 mm ²

Surge protection controller - PT-IQ-PTB-PT - 2801296

Technical data

Remote indicator contact

Conductor cross section solid min.	0.2 mm ²
Conductor cross section solid max.	4 mm ²
Conductor cross section AWG min.	24
Conductor cross section AWG max.	12
Maximum operating voltage U _{max} AC	30 V AC ((50 - 60 Hz))
Maximum operating voltage U _{max} DC	50 V DC
Max. operating current I _{max}	1 A (up to 50°C)
	200 mA (up to 70°C)

Classifications

eCl@ss

eCl@ss 4.0	27140201
eCl@ss 4.1	27130801
eCl@ss 5.0	27130801
eCl@ss 5.1	27130801
eCl@ss 6.0	27130807
eCl@ss 7.0	27130807
eCl@ss 8.0	27130807

ETIM

ETIM 3.0	EC000943
ETIM 4.0	EC000943
ETIM 5.0	EC000943

UNSPSC

UNSPSC 6.01	30212010
UNSPSC 7.0901	39121610
UNSPSC 11	39121610
UNSPSC 12.01	39121610
UNSPSC 13.2	39121620

Approvals

Approvals

Approvals

EAC / EAC / CSA / CSAus / cCSAus

Surge protection controller - PT-IQ-PTB-PT - 2801296

Approvals

Ex Approvals

Approvals submitted

Approval details

EAC

EAC

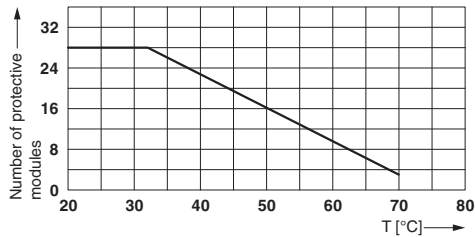
CSA

CSAus

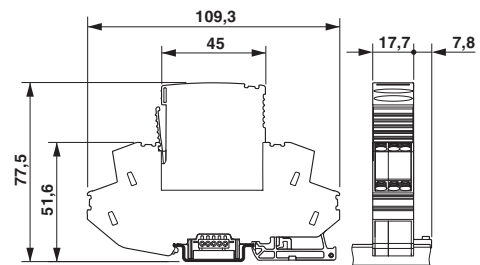
cCSAus

Drawings

Diagram

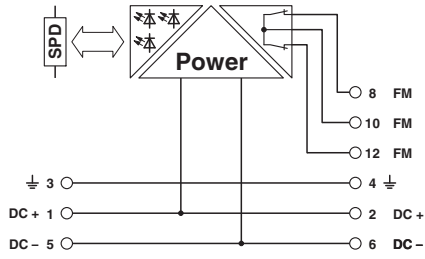


Dimensional drawing

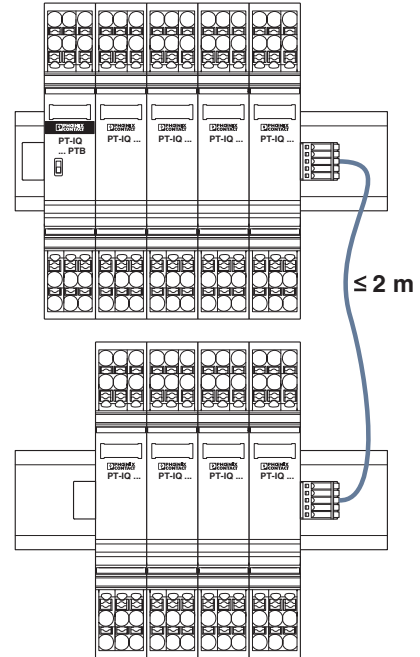


Surge protection controller - PT-IQ-PTB-PT - 2801296

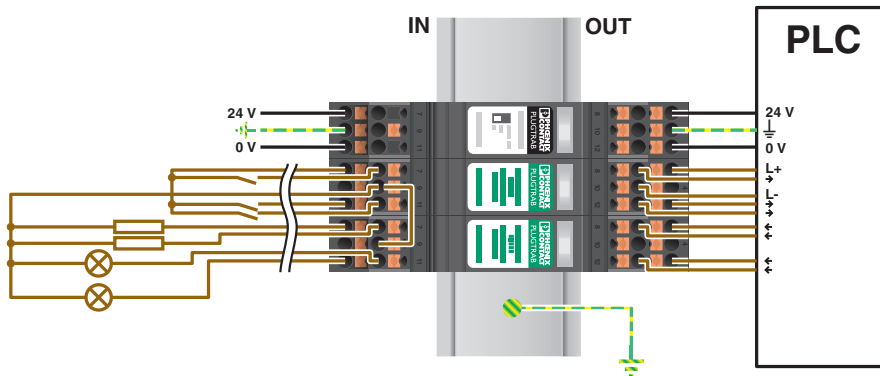
Circuit diagram



Schematic diagram

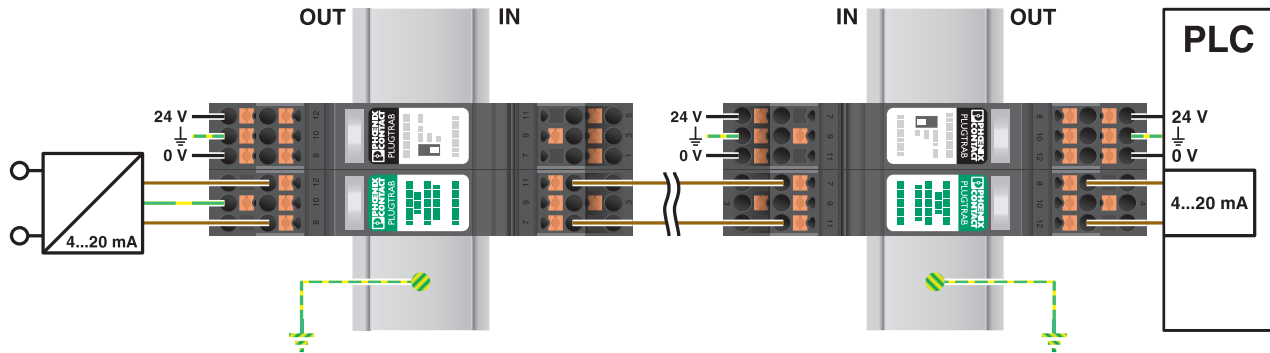


Application drawing



Surge protection controller - PT-IQ-PTB-PT - 2801296

Application drawing



Application drawing

