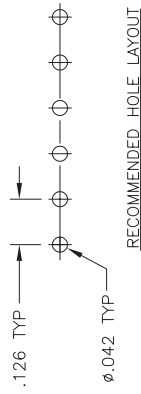
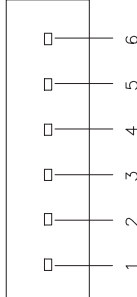
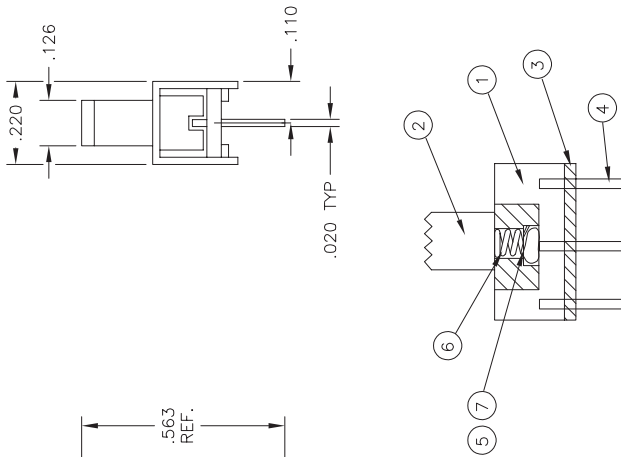
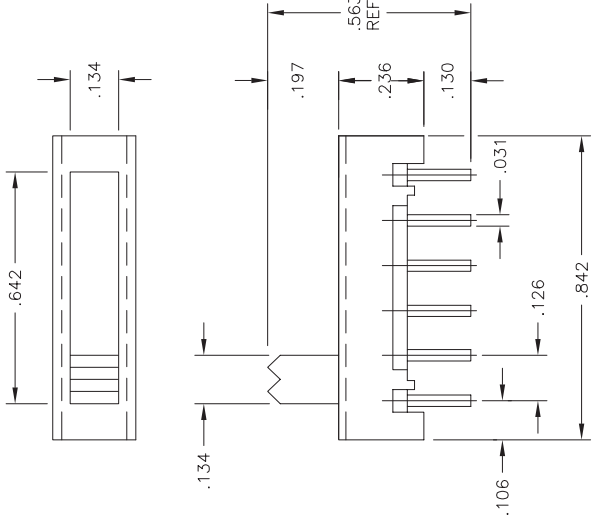


THIS DRAWING IS UNPUBLISHED.
 © COPYRIGHT BY TYCO ELECTRONICS CORPORATION. ALL RIGHTS RESERVED.

RELEASED FOR PUBLICATION
 BY TYCO ELECTRONICS CORPORATION.

| | | |
|-------|----------------|-------------|
| LOC | DIST | REVISONS |
| AD 00 | P LTR | DESCRIPTION |
| A | ECCO 05 006799 | DATE |
| | | 29APR06 |
| | | BSV SM |



SPECIFICATIONS:
 BREAK BEFORE MAKE

MATERIALS:
 FRAME: STEEL/ZINC PLATE
 ACTUATOR: PBT, UL94HB, BLACK
 TERMINAL/FIXED CONTACT: COPPER ALLOY, AG OVER NI
 OR AU OVER NI PLATE.
 MOVING CONTACT: COPPER ALLOY, AG OVER NI
 OR AU OVER NI PLATE
 TERMINAL BOARD: PHENOLIC, UL94HB
 COIL SPRING: CARBON STEEL WIRE

ELECTRICAL:
 CONTACT RATING, 250 MILLIAMPS @ 125V AC,
 150 MILLIAMPS @ 12V DC
 CONTACT RESISTANCE, 30 MILLIOHMS MAX (INITIAL),
 60 MILLIOHMS AFTER TEST
 INSULATION RESISTANCE: 500 MEGOHMS MIN.
 DIELECTRIC STRENGTH: 500 VOLTS RMS @ SEA LEVEL
 LIFE EXPECTANCY: 10,000 CYCLES MIN. NO LOAD,
 6,000 AT RATED CURRENT.

MECHANICAL:
 ACTUATION FORCE, 250 +150/-100 GRAMS
 TRAVEL, .126 (3.20)
 ENVIRONMENTAL:
 OPERATING TEMPERATURE: -10°C TO +85°C
 STORAGE TEMPERATURE: -10°C TO +85°C
 RESISTANCE TO SOLDER HEAT, 260°C FOR 10 SEC
 PER 109-202, CONDITION B
 SOLDERABILITY PER EIA-364-56A, PROCEDURE 3,
 CONDITION B

NOTE:

1. ALL MATERIALS AND FINISHES SHALL COMPLY WITH EU DIRECTIVE 2002/95/EC OF 27 JAN2003 (ROHS)
2. ALL PERFORMANCE SPECIFICATIONS WERE TESTED IN ACCORDANCE WITH JIS-C-5441 UNLESS OTHERWISE STATED.

| 1-2 | 2-3 | 3-4 | 4-5 | 5-6 | 1825121-1 |
|-------------|-------------|-------------|-------------|-------------|-----------|
| | | | | | |
| LEFT | LMD | MID | RMD | RIGHT | |
| 1 2 3 4 5 6 | 1 2 3 4 5 6 | 1 2 3 4 5 6 | 1 2 3 4 5 6 | 1 2 3 4 5 6 | |

| | | | | | |
|--|--|------------------------------|--|------------------------------|--|
| THIS DRAWING IS A CONTROLLED DOCUMENT. | | OWN: B. S. VISWESWARA | | QUALIF: 084885 | |
| DRAWN: S. SARVER | | CHK: S. SARVER | | TYCO Electronics Corporation | |
| APPRO: [Signature] | | NAME: [Signature] | | Harrisburg, Pa 17105-3608 | |
| DIMENSIONS: INCHES | | TOLERANCES UNLESS SPECIFIED: | | SIZE CASE CODE DRAWING NO | |
| ± .010 | | ± .010 | | A2, 00779 | |
| ± .010 | | ± .010 | | SLIDE SWITCH, SP5T | |
| ± .010 | | ± .010 | | (SLS-151-PC) | |
| ± .010 | | ± .010 | | RESTRICTED TO | |
| ± .010 | | ± .010 | | SCALE: 4:1 | |
| ± .010 | | ± .010 | | SHEET 1 OF 1 | |
| ± .010 | | ± .010 | | REV A | |

1825121