



# PRODUCT DATASHEET

## Lenina series

last update 1/11/2016

### DETAILS

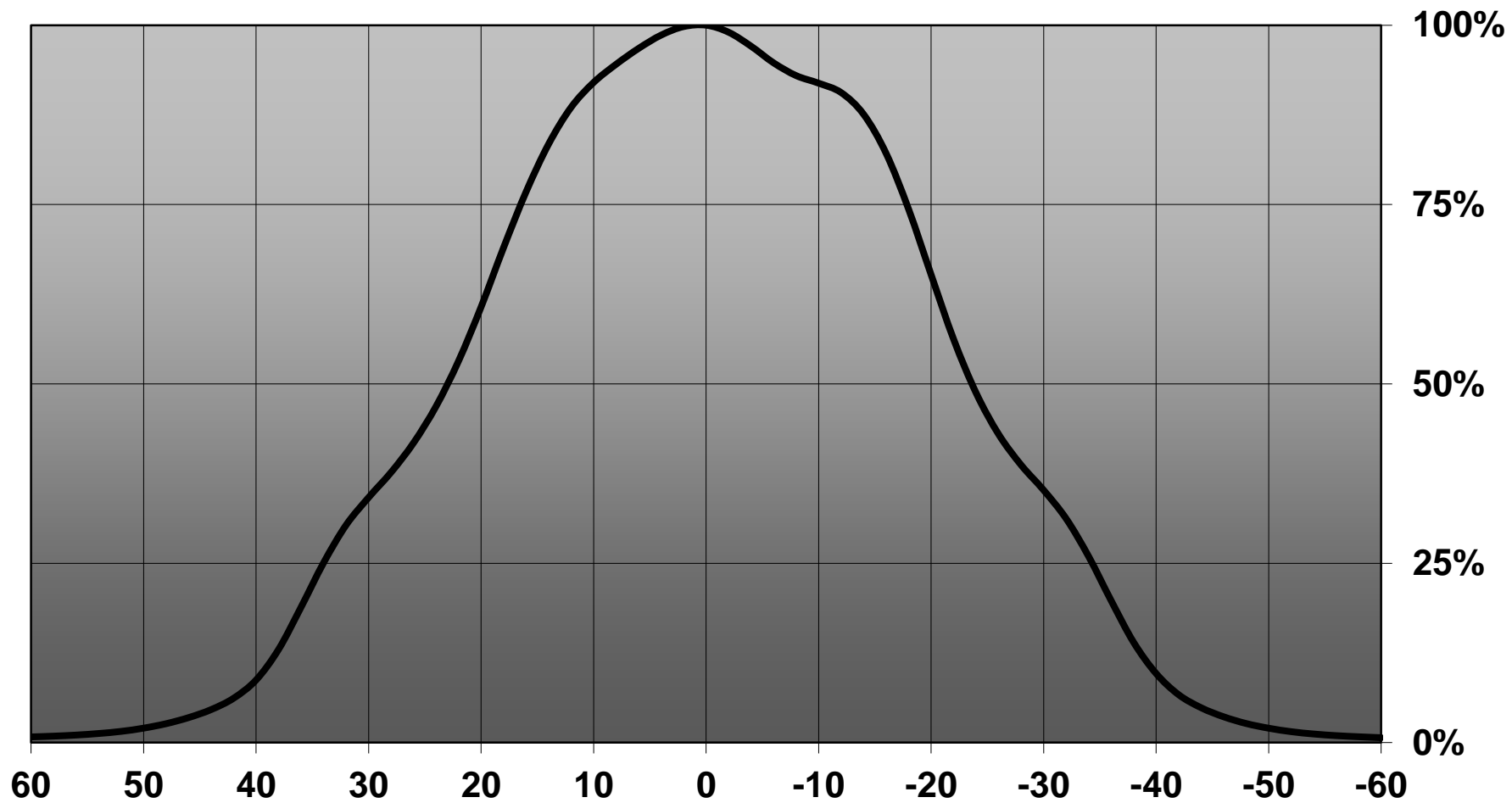
<b>Product Number</b>	CN13201_LENINA-W-DL
<b>Family</b>	Lenina
<b>Type</b>	RefPack
<b>Color</b>	metal
<b>Diameter</b>	74 mm
<b>Height</b>	49 mm
<b>Style</b>	round
<b>Optic Material</b>	PC
<b>Holder Material</b>	
<b>Fastening</b>	screw, socket
<b>Status</b>	production ready
<b>ROHS Compliant</b>	Yes
<b>Date Updated</b>	1/11/2016

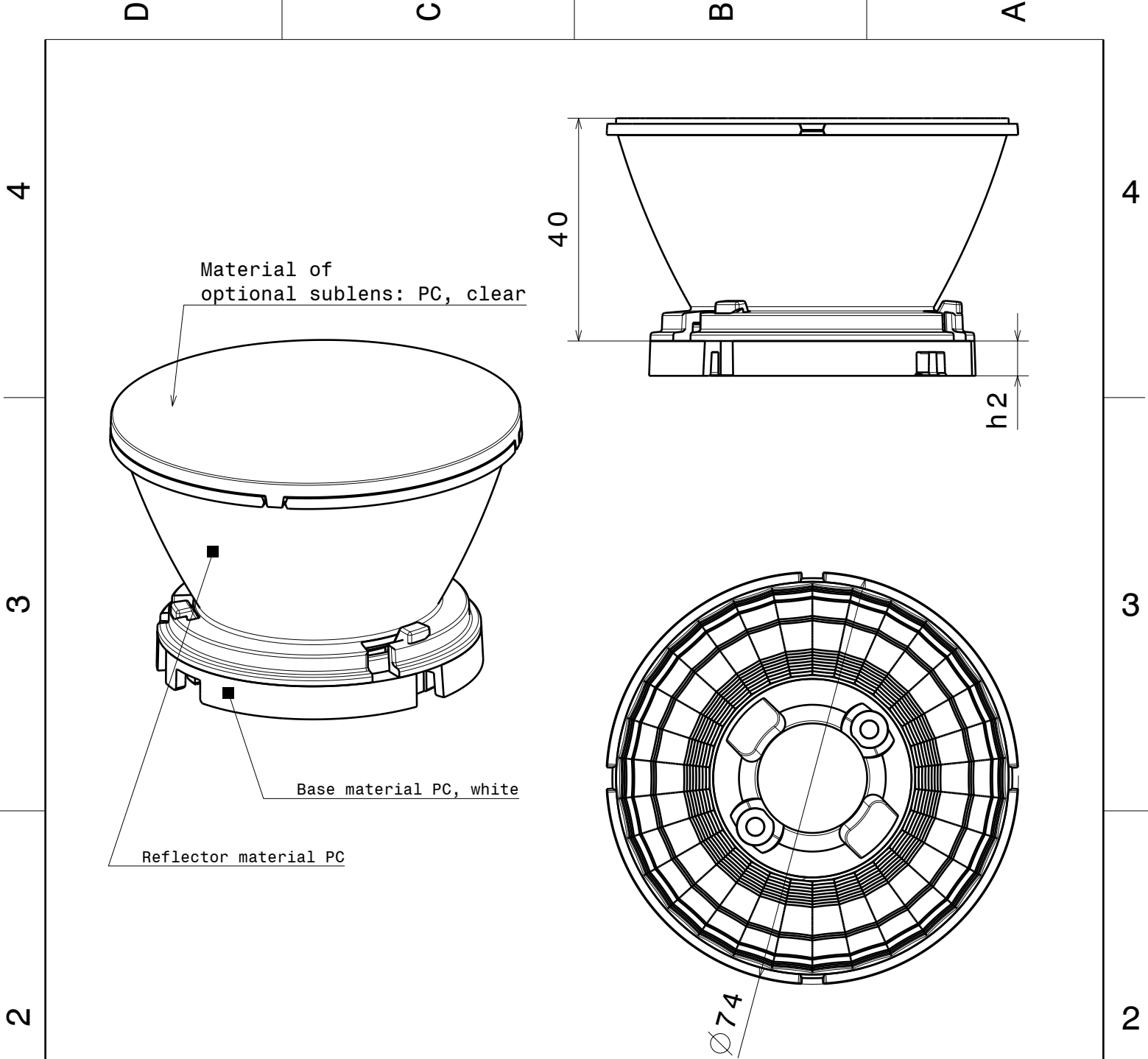
### OPTICAL PROPERTIES

LED	Viewing Angle	Light Beam	Efficiency	cd/lm	Connector
V10 Gen6	47 deg	Wide	83 %	1.300	-
CXAB 15xx	48 deg	Wide	83 %	1.300	-



Relative intensity of CN13201\_LENINA-W-DL\_(V10)






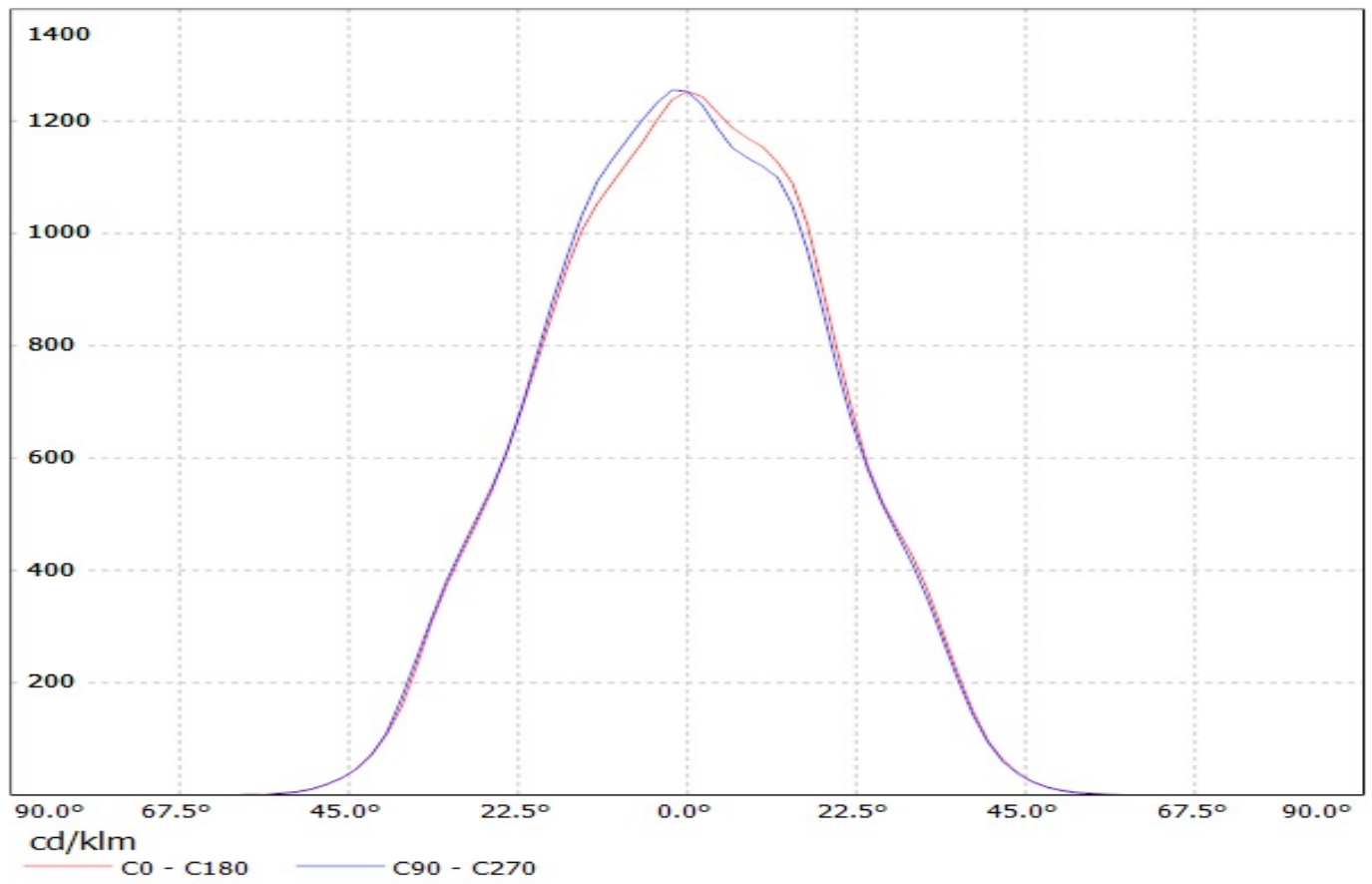
**NOTE:**

Using optional sublens, add 2.1mm to the system height

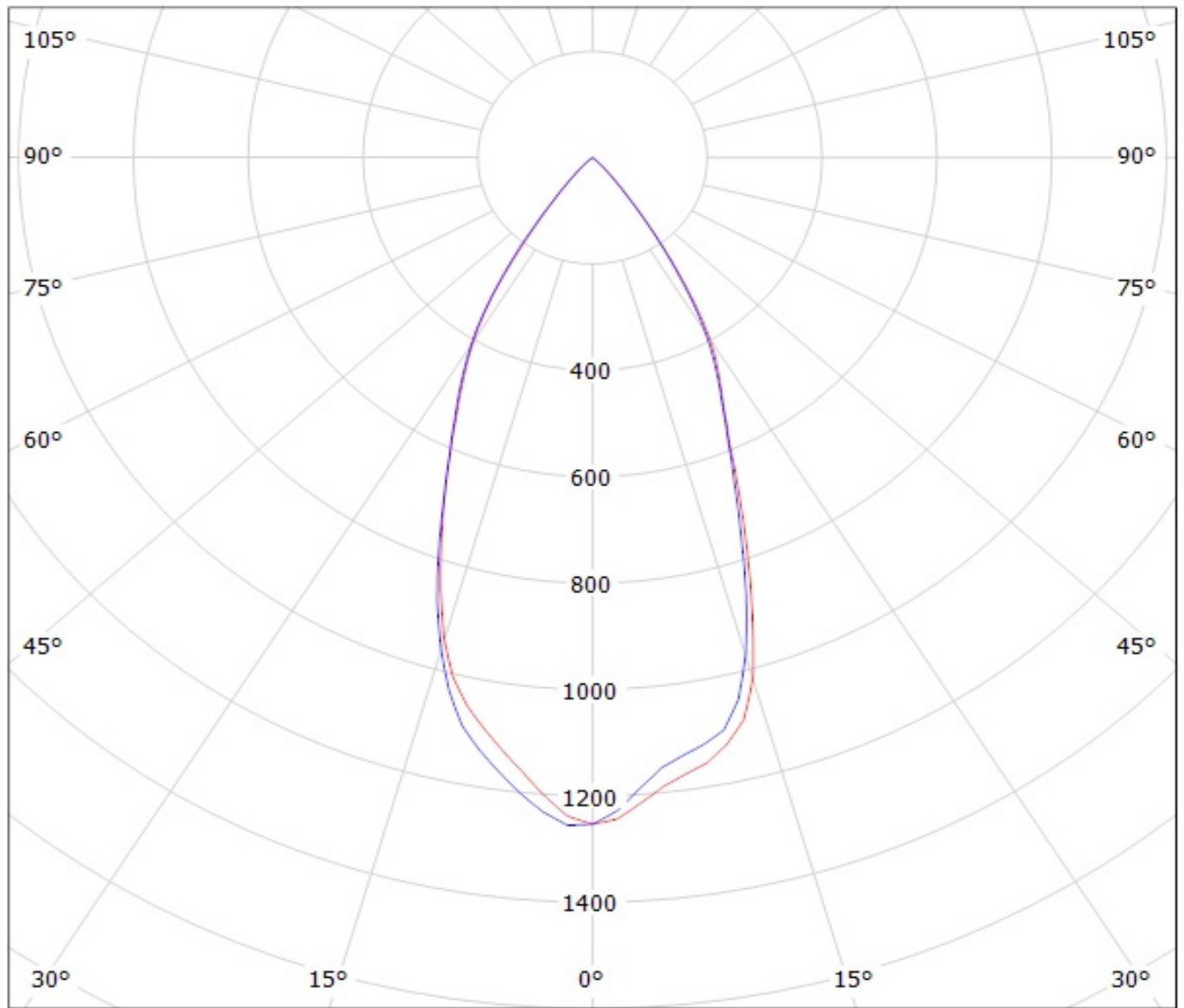
Dimension 'h2' varies from 4.5mm to 7mm depending on the LED specific base part

This drawing is our property. It can't be reproduced or communicated without our written agreement.				Ledil Oy Salorankatu 10 FIN-24240 SALO Finland		
DRAWN BY ks		DATE 23.04.2014		<b>DRAWING TITLE</b> <b>Datasheet Lenina series</b>		
CHECKED BY		DATE				SIZE A4
DESIGNED BY pl		DATE 08.03.2012		SCALE 1:1	WEIGHT (g)	SHEET 1/1

Luminaire: LEDil Oy CN13201\_LENINA-W-DL\_(CXA1520) Efficiency=83%  
Lamps: 1 x Cree CXA1520 (CXA1520-30F-N4-N0H-0001) 936lm @ 250mA CCT=3100K P=8.5W I=250mA



Luminaire: LEDil Oy CN13201\_LENINA-W-DL\_(CXA1520) Efficiency=83%  
Lamps: 1 x Cree CXA1520 (CXA1520-30F-N4-N0H-0001) 936lm @ 250mA CCT=3100K P=8.5W I=250mA



cd/klm  
— C0 - C180 — C90 - C270

**NOTE: The typical divergence will be changed by different color, chip size and chip position tolerance. The typical total divergence is the full angle measured where the luminous intensity is half of the peak value.**

### **GENERAL INFORMATION**

- Product series especially designed & optimized for series of LEDs.
- Special care taken to make light distribution as uniform as possible.

Note! Due to use of high power COB's with this product, special attention to proper thermal design is highly recommended. LEDiL has no liability for direct, indirect or consecutive damages arising from the LEDiL products being used outside of the recommended temperature range.