

342949 - heatsinks for BGA Devices



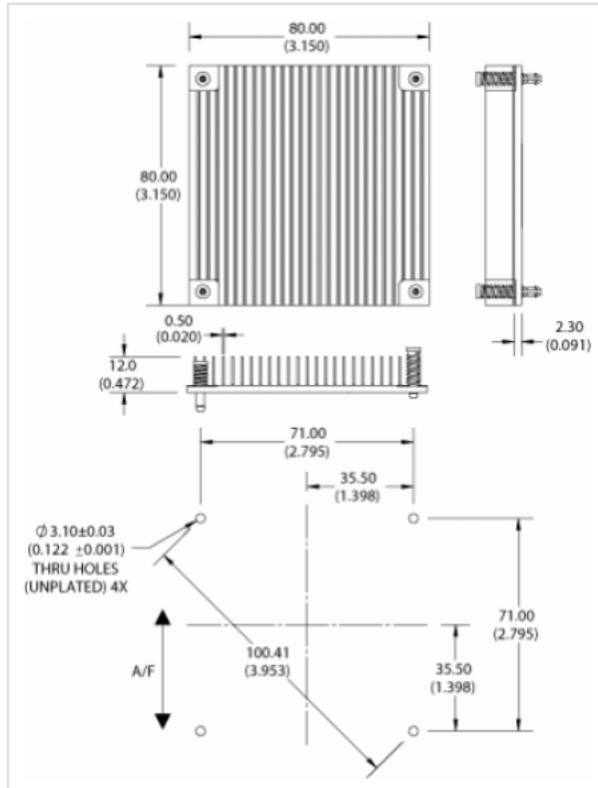
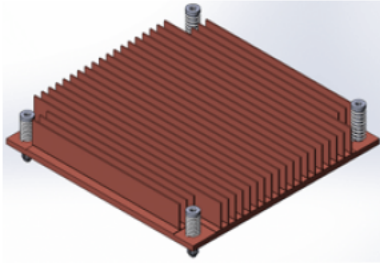
Aavid - The worldwide leader in thermal management solutions

» FPGA / BGA Heat Sinks

342949

SQUARE HEATSINK WITH PUSH PIN ATTACHMENT

RoHS: compliant



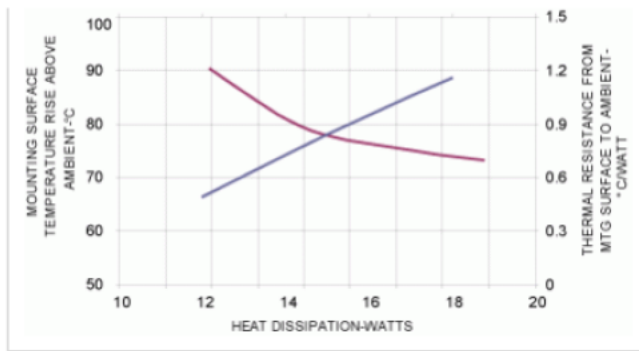
Width: 80.00
Length: 80.00
Height: 12.00
Base Thickness: 2.30
Fin Thickness: Length, Width 0.50
of Fins: Length, Width 25
Fin Tip to Tip:
Finish: AavSHIELD 3C

Thermal Performance

Natural Convection: 5.10
Forced convection: 1.21
Thermal Curve:



342949 - heatsinks for BGA Devices



Customer Assistance

- Contact Us
- Get Design Assistance
- Find a Distributor
- Find a Sales Rep
- Request a Quote
- Placing an Order
- Terms and Conditions
- Returns

Popular Products

- Fans
- Extrusions
- Board Level
- Liquid Cooling
- Heat Pipe Technology
- Heat Sink Accessories
- Interface Materials

Our Company

- News and Events
- Management Team
- Worldwide Locations
- Disclaimer
- Customer Survey
- Privacy Policy
- Careers

Connect with Aavid

Like / Follow / Connect



© Copyright 2016 Aavid Thermalloy, LLC.