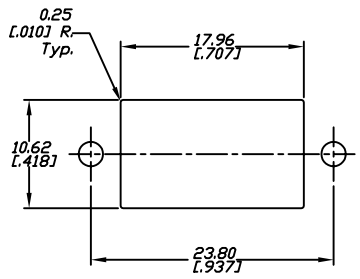
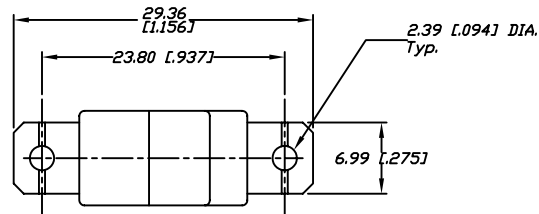
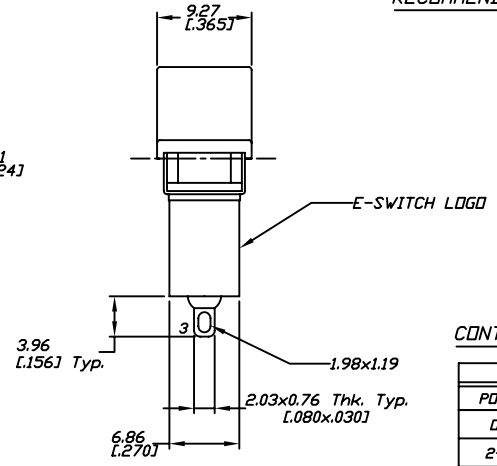
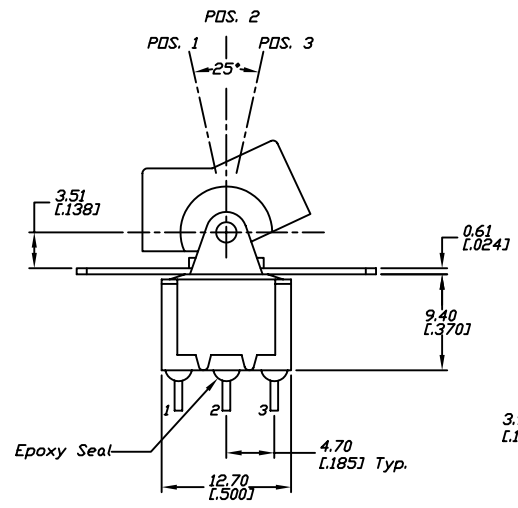


SHEET OF



RECOMMEND PANEL MOUNTING



CIRCUIT: SPDT
CONTACT CONFIGURATION

SWITCH FUNCTION		
POS. 1	POS. 2	POS. 3
ON	OFF	(ON)
2-3	OPEN	2-1

()=Momentary

NOTES:

1. ALL DIMENSIONS IN MM [INCH]
2. GENERAL TOLERANCE: 0.0±0.4
0.00±0.25
3. TERM. NOS. FOR REF. ONLY
4. CONTACT RATING: 5 Amps @120VAC or 28VDC;
2 Amps @250VAC.

B	14972	REVISED 'E-SWITCH' LOGO	6/2/05	JB
A	10077	RELEASED FOR PRODUCTION		
REV.	ECN No.	DESCRIPTION	DATE	CHKD

THE INFORMATION CONTAINED IN THIS DOCUMENT IS PROPRIETARY TO E-SWITCH AND IS NOT TO BE COPIED OR TRANSFERRED

E-SWITCH®

TITLE
300SP5R1BLKM1QE

SCALE	DATE	DR	DWG	REV
2:1	1/11/99	MM	T315006	B