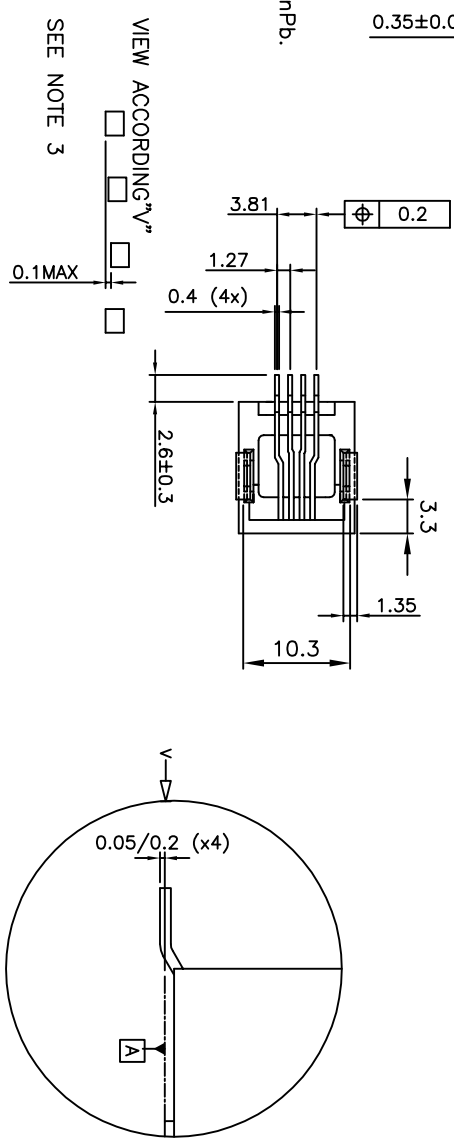
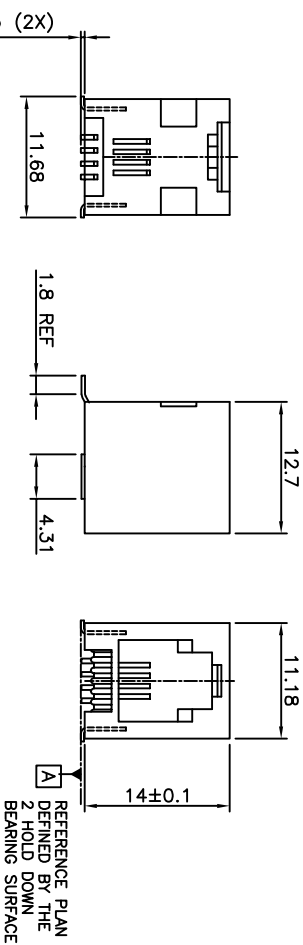


PRODUCT NUMBER  
73306-XXXXLF

PLATING OPTION	PACKAGE OPTION
1 = GXT 0.76 µm	1 = TAPE ON REEL
3 = GOLD 0.76 µm	2 = TUBE
5 = GOLD 1.27 µm	3 = TAPE ON REEL IN PLASTIC BAG

TERMINAL LOADING  
1 = FULLY LOADED

WHEN NEEDED, SUFFIX LETTER "LF" INDICATES THE PRODUCT IS ROHS COMPATIBLE, SEE NOTE 4.

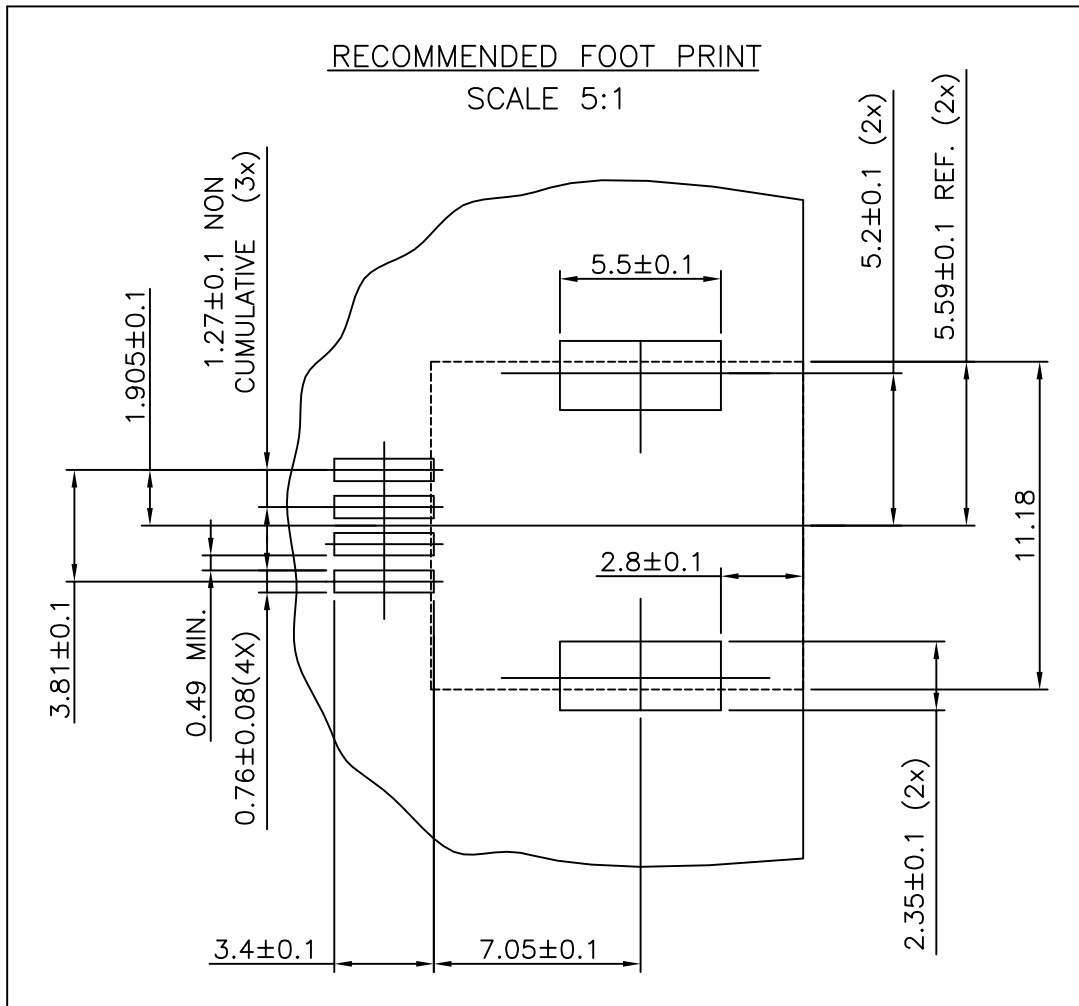


- NOTES:
- MATERIAL: HOUSING: HIGH TEMP. NYLON, COLOUR BLACK. TERMINAL: PHOSPHOR BRONZE.
  - PLATING: CONTACT AREA: SEE TABLE.  
SOLDER TAIL : 90/10 SnPb 2µm MIN.  
WHEN SUFFIX "LF" IS REQUIRED, 2µm MIN MATTE TIN OVER 1.27 MIN Ni IS SUPPLIED INSTEAD OF SnPb.  
NO RAW EDGES EXEPT SOLDER TAIL TIPS
  - SOLDER TAILS COPLANARITY : 0.1 mm
  - ROHS COMPATIBLE PRODUCT SPECIFICATIONS
  - PLATING:
    - "LF" MEANS THE PRODUCT IS LEAD-FREE, 2µm MINIMUM MATTE TIN OVER 1.27µm MINIMUM NICKEL UNDERPLATE.
  - MANUFACTURING PROCESS COMPATIBILITY
    - THE HOUSING WILL WITHSTAND EXPOSURE TO 245°C PEAK TEMPERATURE FOR 30 SECONDS MAX IN A CONVECTION, INFRA-RED OR VAPOR PHASE OR REFLOW OVEN.
  - LABELLING:
    - MEETS PACKAGING SPECS AS PER GS-14-920
  - LEGAL STATEMENT: SEE GS-22-008
  - PACKAGING FOR OPTION 3: EACH REEL IS WRAPPED INTO A PLASTIC BAG TO PROTECT FROM MOISTURE DURING STACKING TIME.

CUSTOMER COPY FOR REFERENCE ONLY

mat'l. code		surface		tolerance		projection		product family	
ISO 1302		ISO 406		ISO 1101		mm		MOD JACK	
ltr	ecn no	dr	date	ISO 1302	tolerance unless otherwise specified	ISO 1101	mm	title	
H	F05-0247	DLE	05.09.12	±0.13	linear	scale 2:1	mm	SMT RA JACK	
J	F06-0240	DLE	06.07.18	±0.13	linear	scale 2:1	mm	4 POS NARROW OUTSIDE	
K	F09-0070	LSA	09.07.23	±0.2	linear	scale 2:1	mm	sheet 1 of 3 size	
L	B-15798	JFA	13.09.09	±0.2	linear	scale 2:1	mm	CUSTOMER Drawing	
F	F03020	DLE	03.01.27	±0.2	linear	scale 2:1	mm	sheet 1 of 3 size	
G	F04-0363	DLE	04.10.18	±0.2	linear	scale 2:1	mm	CUSTOMER Drawing	
sheet	revision	L	F	B				sheet 1 of 3 size	
index	sheet	1	2	3				sheet 1 of 3 size	





FCIconnect.com

CUSTOMER COPY FOR REFERENCE ONLY

mat'l. code				surface ISO 1302	<input checked="" type="checkbox"/>	tolerance ISO 406 ISO 1101	projection 	product family MOD JACK				
ltr	ecn no	dr	date	tolerances unless otherwise specified			mm ↔	title SMT RA JACK 4 POS NARROW OUTSIDE				
A	F04.0363	DLE	04.10.18	angles	±0.13							
B	F06-0240	DLE	06.07.18	linear	±2'		scale 2:1		dwg no		sheet 3 of - size	
				dr	D LEGRAND	04.10.18		73306		A4		
				engr	P NIZZI	04.10.18		type		CUSTOMER Drawing		
				chr	D LEGRAND	04.10.18						
				appd	P NZ	04.10.18						
sheet index	revision sheet											