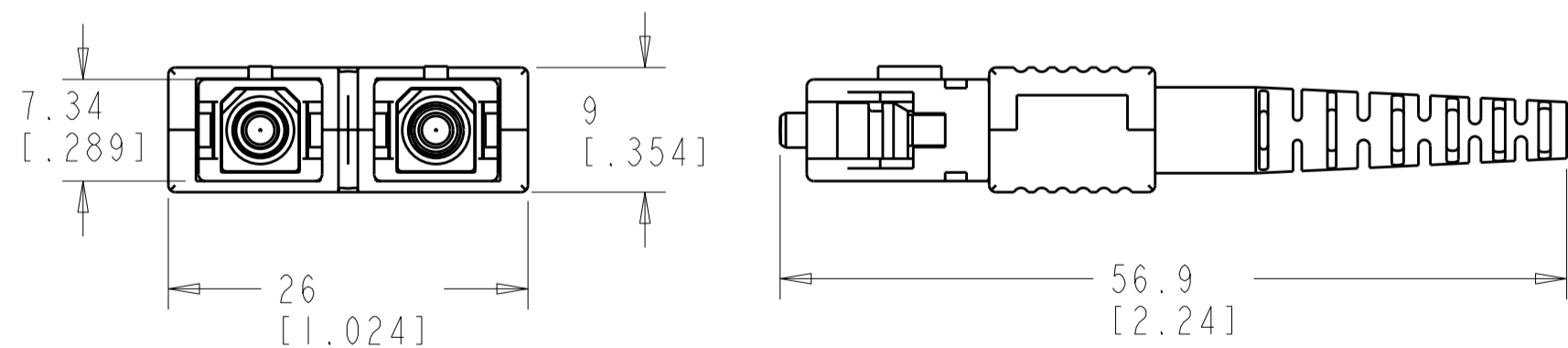
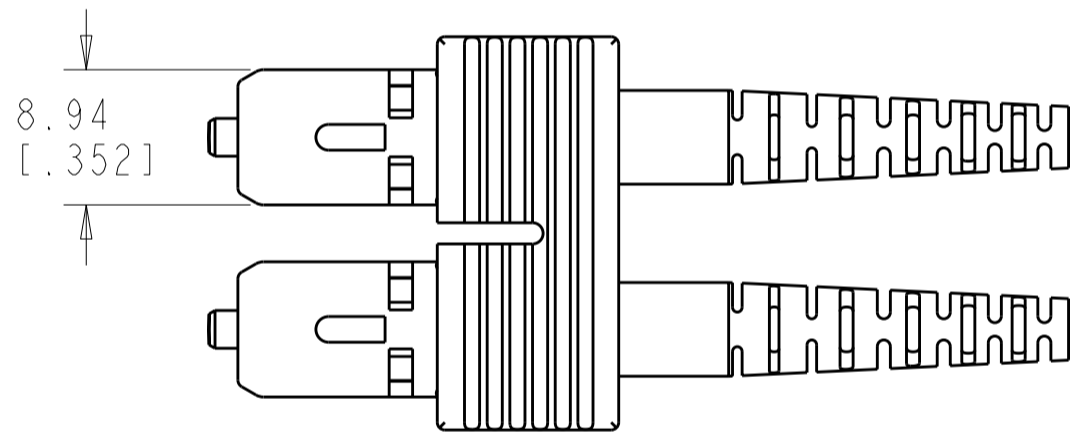
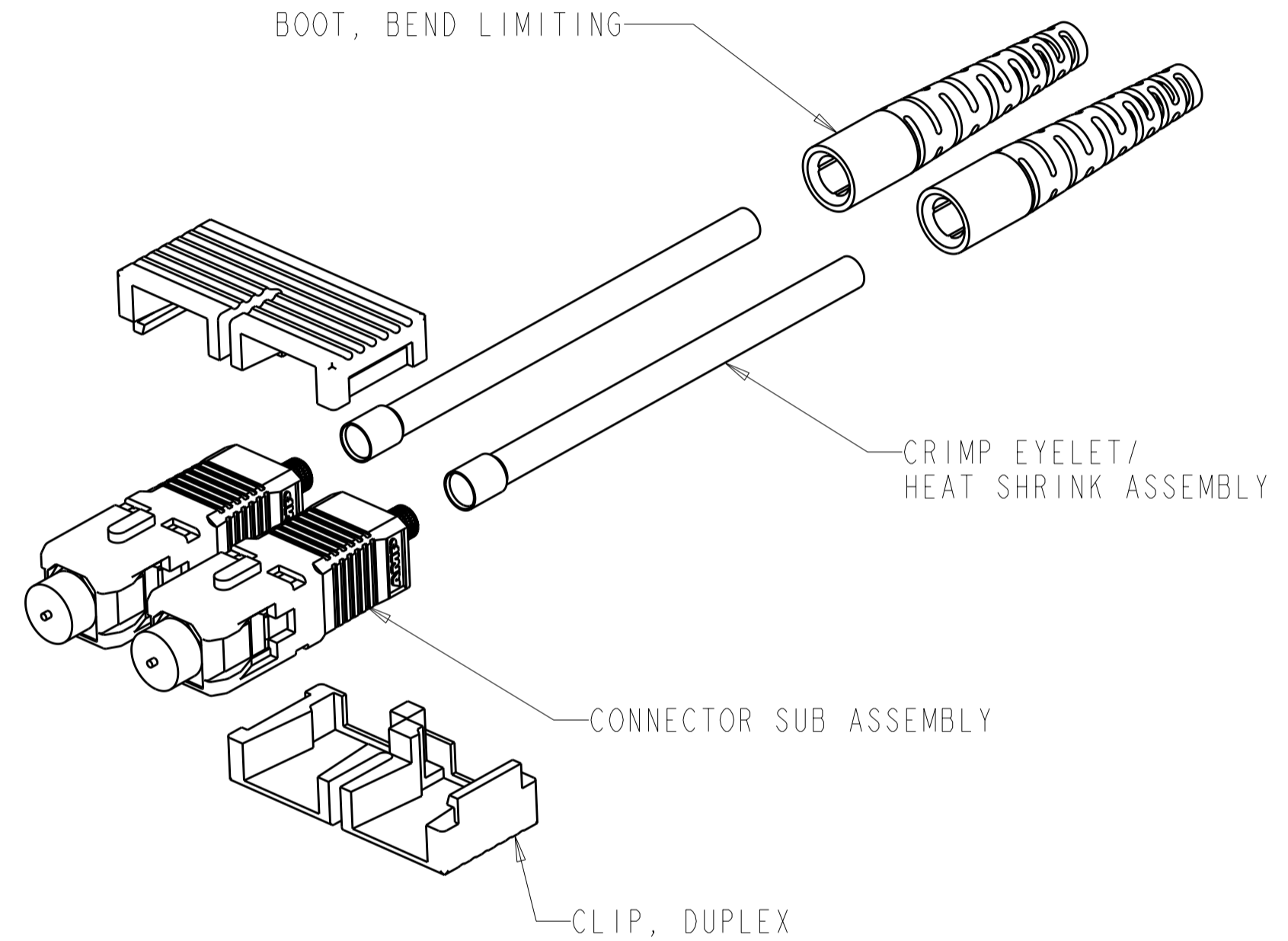


THIS DRAWING IS UNPUBLISHED. RELEASED FOR PUBLICATION
 © COPYRIGHT BY TYCO ELECTRONICS CORPORATION. ALL INTERNATIONAL RIGHTS RESERVED.

| LOC | DIST | REVISIONS | | | |
|-----|------|--------------------------|------------|-----|------|
| P | LTR | DESCRIPTION | DATE | DWN | APVD |
| HG | - | | | | |
| | A | REVISE PER ECO-07-017712 | 31JULY2007 | DHR | DHR |
| | B | REVISE PER ECR-09-023904 | 05NOV2009 | IL | CT |

1 MATERIAL: PROTECTIVE COVER: TPE, COLOR:BLACK, UL 94 HB. *
 FERRULE SUB ASSEMBLY: ZIRCONIA/METAL
 COMPRESSION SPRING: STAINLESS STEEL.
 CONNECTOR HOUSING: PBT, COLOR:BLUE, UL 94 V-0. *
 PLUG BODY: PAS, COLOR: BEIGE, UL 94 V-0. *
 REAR BODY: METAL
 BOOT: PP, COLOR:BLUE, UL 94 V-0. *
 CRIMP EYELET/HEAT SHRINK ASSY: ALUM. ALLOY, HEAT SHRINK: POLYOLEFIN, UL VW-I.
 CLIP, DUPLEX, TP, COLOR: BLACK
 *RATED AT QUALIFYING THICKNESS.

2 BULK PACKAGED



OBSELETE 1828573-2
 1828573-1
 PART NUMBER

| | | | | |
|---|--|---------------------------------|---|--------------------|
| THIS DRAWING IS A CONTROLLED DOCUMENT FOR TYCO ELECTRONICS CORPORATION. IT IS SUBJECT TO CHANGE AND THE CONTROLLING ENGINEERING ORGANIZATION SHOULD BE CONTACTED FOR THE LATEST REVISION. | | DWN D. ERDMAN 19APR2005 | Tyco Electronics Corporation Shanghai, China | |
| DIMENSIONS: mm [INCHES] | | CHK E. HOPKINS 19APR2005 | NAME CONNECTOR KIT, SC, DUPLEX SM, JUMPER, TIGHT JACKET STYLE, 1.6-2.0mm | |
| TOLERANCES UNLESS OTHERWISE SPECIFIED: 0 PLC ± 1 PLC ±0.1/[0.004] 2 PLC ±0.01/[0.0004] 3 PLC ± 4 PLC ± ANGLES ± FINISH ± | | APVD B. EDWARDS 19APR2005 | SIZE A2 | RESTRICTED TO - |
| MATERIAL | | PRODUCT SPEC - | CAGE CODE C-1828573 | SCALE 3:1 |
| CUSTOMER DRAWING | | APPLICATION SPEC - | DRAWING NO. C-1828573 | SHEET 1 OF 1 |
| | | WEIGHT - | REV B | |