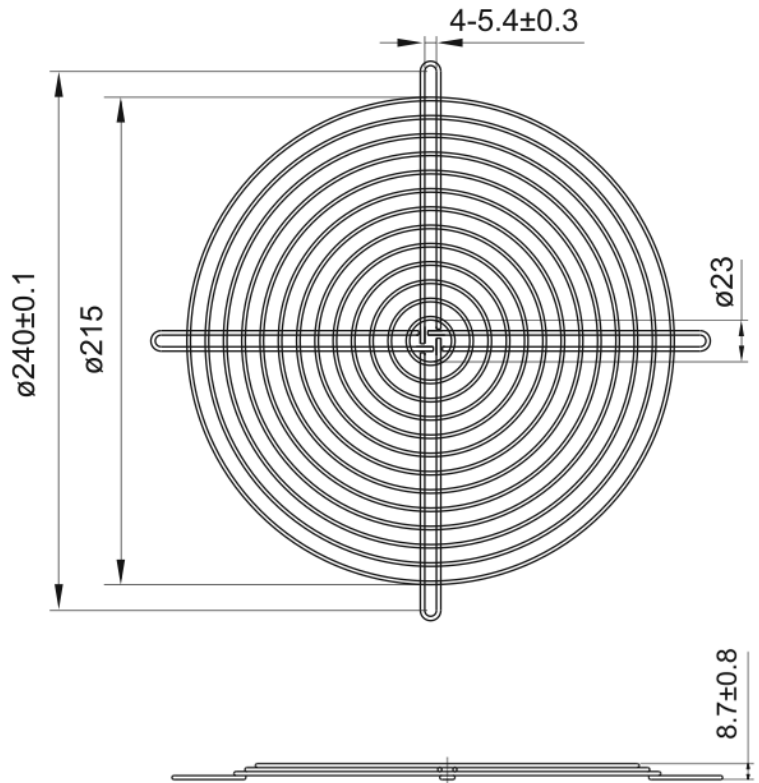
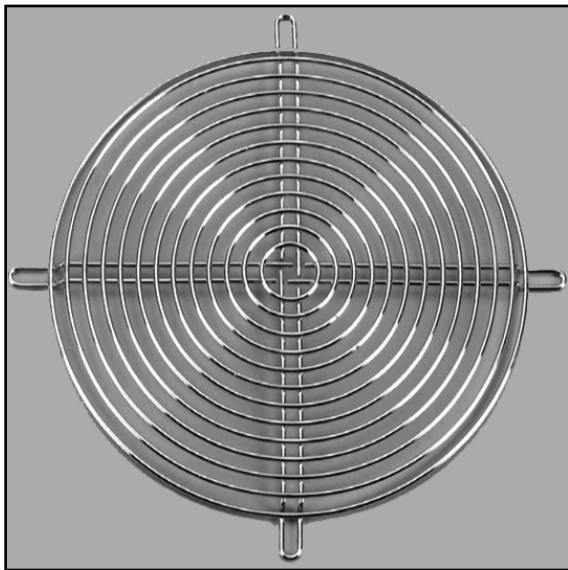


Part No. G225



Fan Guard for  
225mm Fan



NOTES:

- 1. MATERIAL: STEEL WIRE
- 2. FINISH: BRIGHT NICKEL CHROME
- 3. WELDS TO WITHSTAND 88LBS PULL FORCE
- 4. GENERAL TOLERANCE UNLESS NOTED +/-0.5MM
- 5. PART MEETS 6.35MM PLUG GAUGE TEST

Part Number	Description
G225	Fan guard, Chrome, for 225mm fan
G225/PK	10-Pack G225 guards, Boxed