

# PRODUCT DATASHEET

## Lenina series

last update 6/3/2017

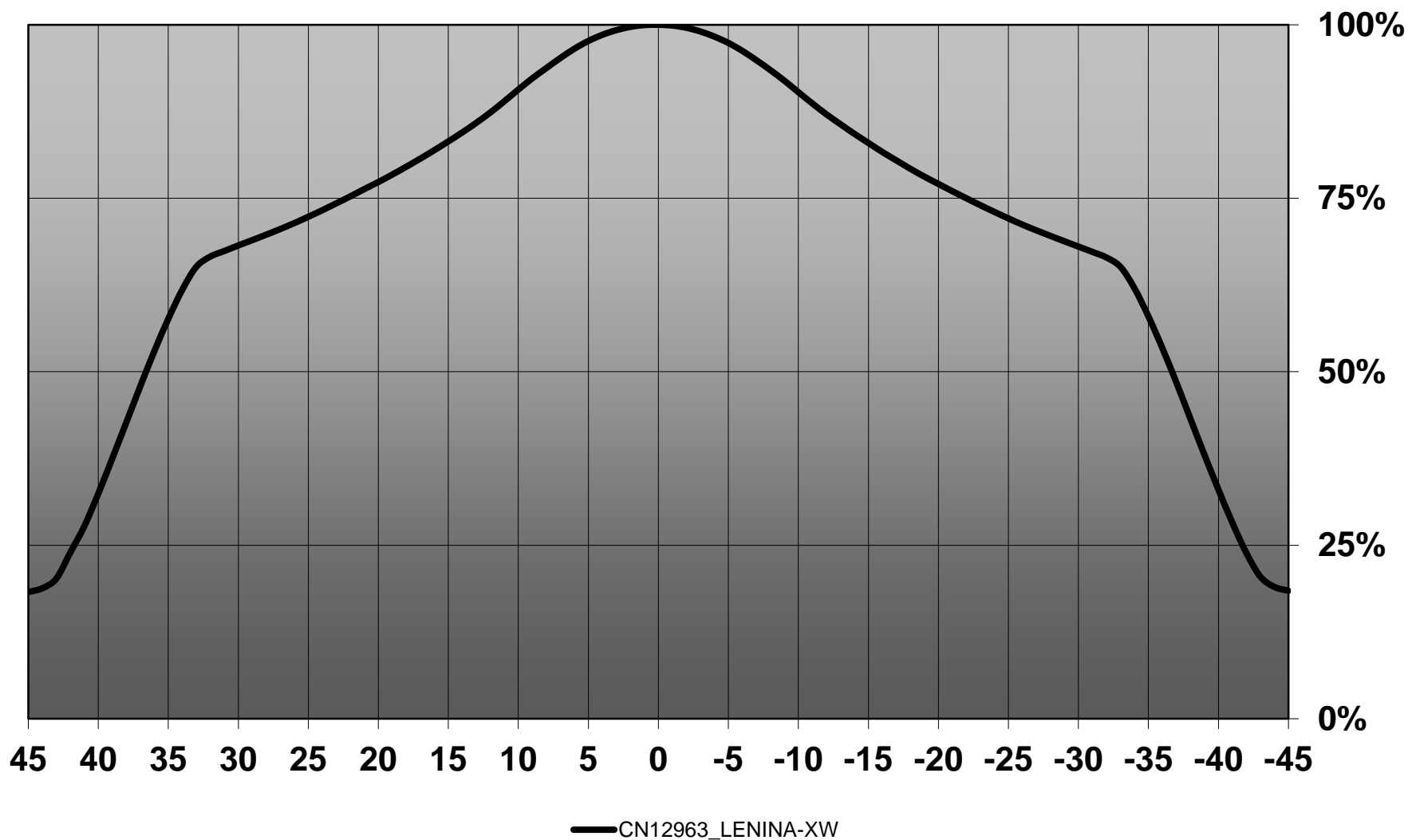
## DETAILS

Product Number	CN12963_LENINA-XW
Family	Lenina
Type	RefPack
Color	white
Diameter	74 mm
Height	47,5 mm
Style	round
Optic Material	
Holder Material	
Fastening	socket
Status	production ready
ROHS Comliant	Yes
Date Updated	6/03/2017

## OPTICAL PROPERTIES

LED	Viewing Angle	Light Beam	Efficiency	cd/lm	Connector
CLL03x/CLU03x	74 deg	WWW-class	93 %	0.630	-
CLU720/721	74 deg	WWW-class	89 %	0.600	-
CLU710/711	75 deg	WWW-class	94 %	0.640	-
CXM-14	74 deg	WWW-class	94 %	0.650	LEDiL: LEDiL
Soleriq S15	sim: 72	WWW-class	sim: 87 %	sim: 0.660	TE: 2213254-2 + OPTIC CLIP Z50 TYPE1 2213194-1
COB D Series LES 14.5 mm	74 deg	WWW-class	94 %	0.630	-
ZC12/18	75 deg	WWW-class	90 %	0.600	-
STARK SLE PURE G3 LES17	75 deg	WWW-class	91 %	0.600	-
SLE G5 LES15	75 deg	WWW-class	94 %	0.640	LEDiL: LEDiL

### Absolute intensity of CN12963\_LENINA-XW



D

C

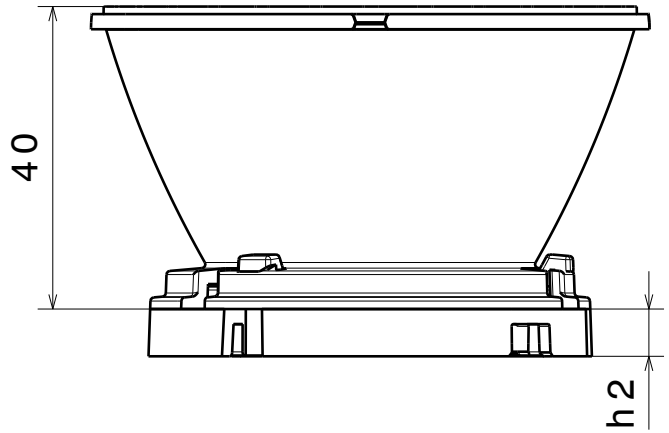
B

A

4

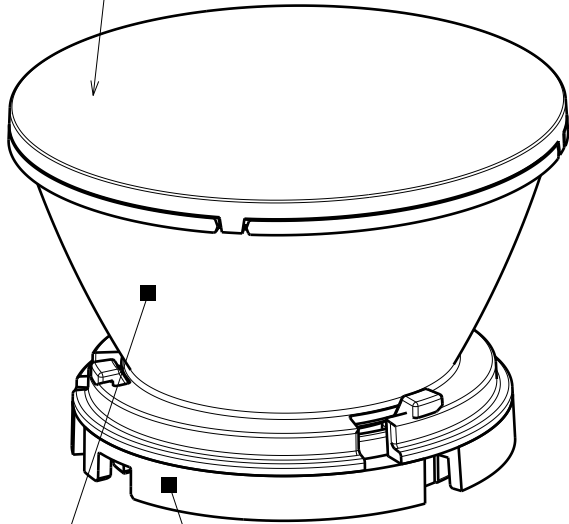
4

Material of optional sublens: PC, clear



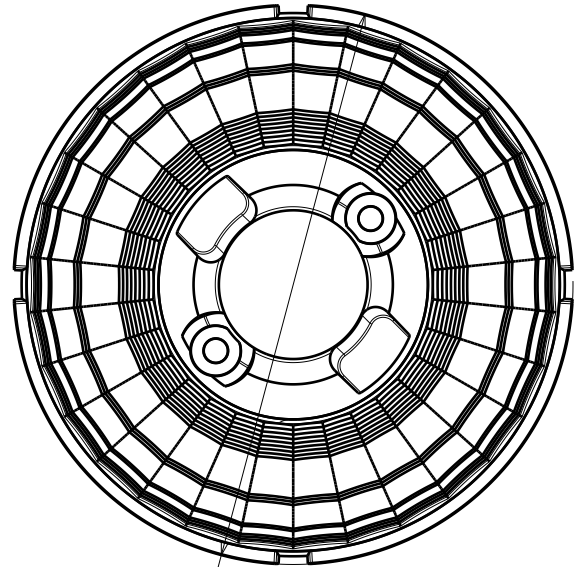
3

3



Base material PC, white

Reflector material PC



2

2

**NOTE:**

Using optional sublens, add 2.1mm to the system height

Dimension 'h2' varies from 4.5mm to 7mm depending on the LED specific base part

This drawing is our property. It can't be reproduced or communicated without our written agreement.



Ledil Oy  
Salorankatu 10  
FIN-24240 SALO  
Finland

**DRAWING TITLE**

**Datasheet Lenina series**

1

1

**DRAWN BY**

ks

**DATE**

23.04.2014

**CHECKED BY**

**DATE**

**SIZE**

A4

**DRAWING NUMBER**

--

**REV**

1

**DESIGNED BY**

pl

**DATE**

08.03.2012

**SCALE**

1:1

**WEIGHT (g)**

**SHEET**

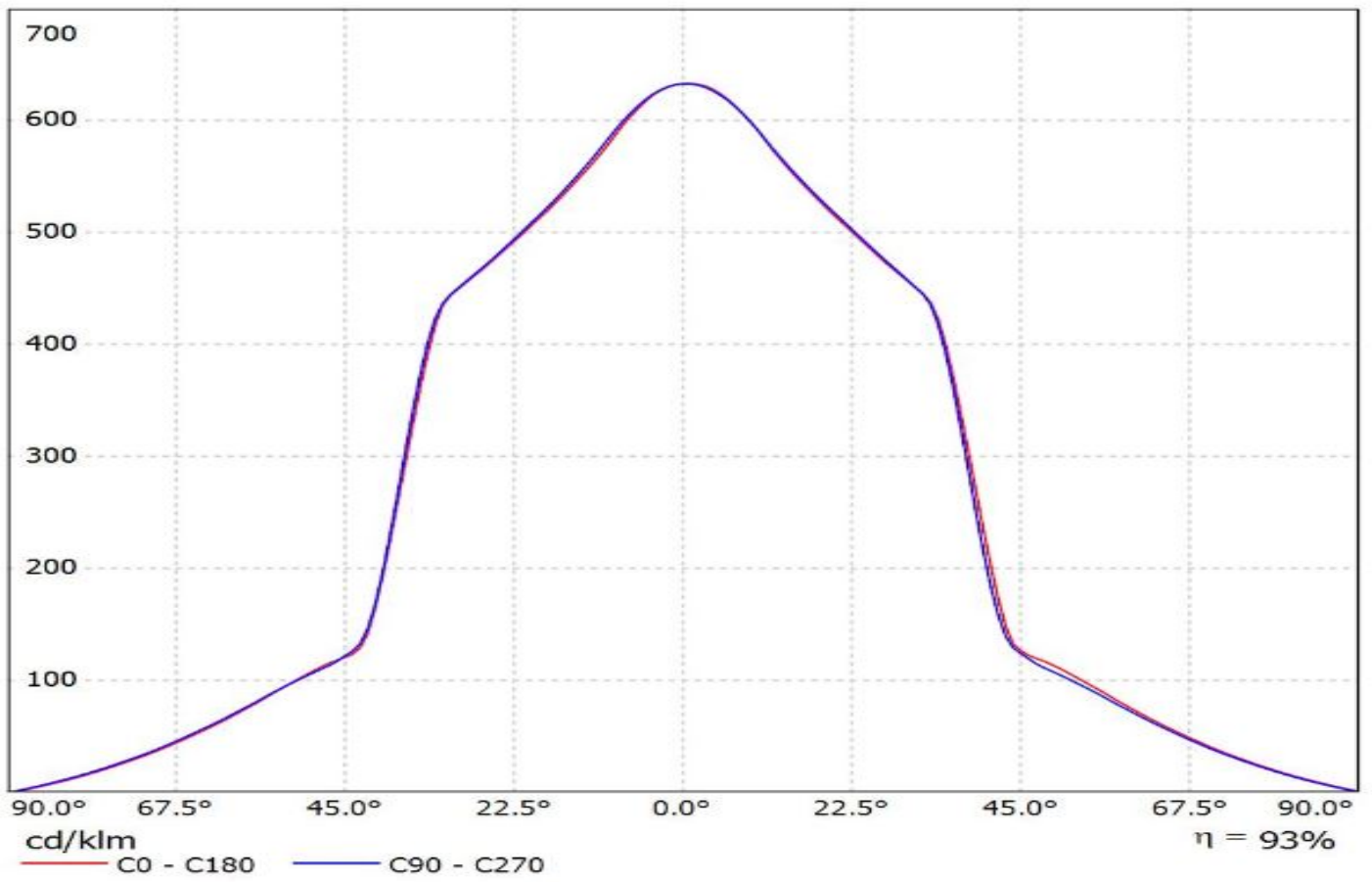
1/1

D

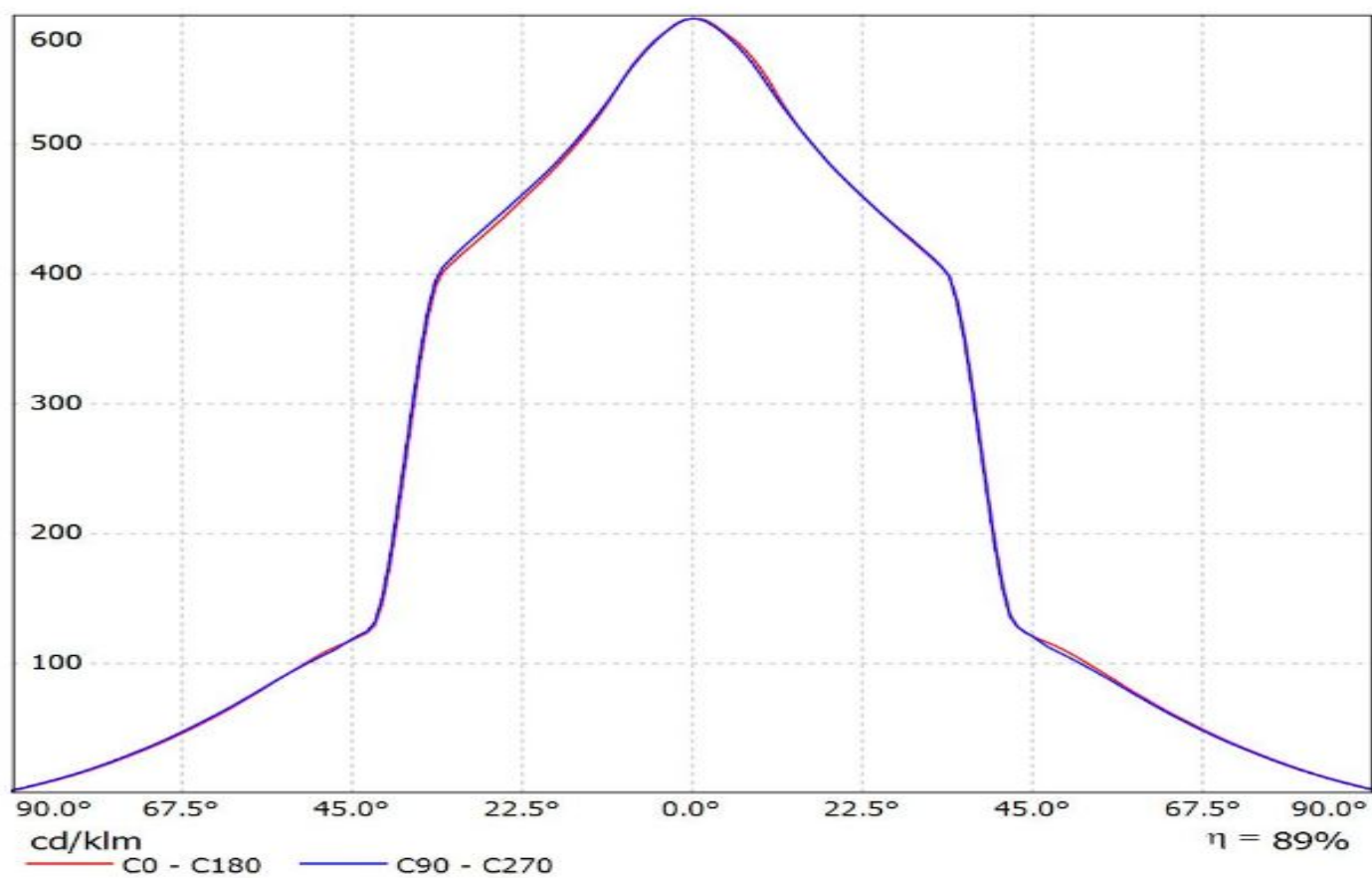
A

Luminaire: Ledil CN12963\_LENINA-XW (CLU036)

Lamps: 1 x CLU036\_(-1208C1-303M2G2)\_1273.68lm@250mA\_P=8.24W\_I=0.25A

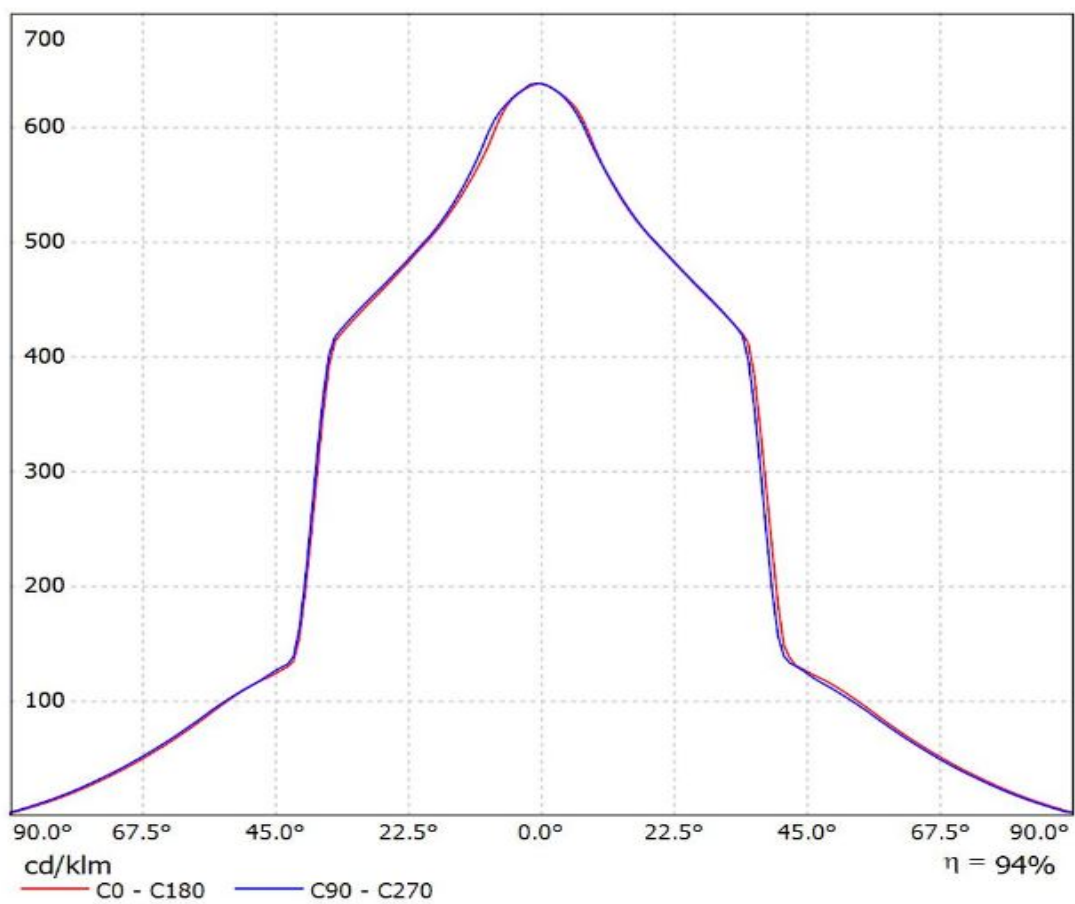


Luminaire: Ledil CN12963\_LENINA-XW\_(CLU720)  
Lamps: 1 x CITIZEN\_CLU720\_(CLU720-1206B8-273M2)  
\_1312.67lm@250mA\_CCT=2700K\_P=8.35W\_I=0.25A



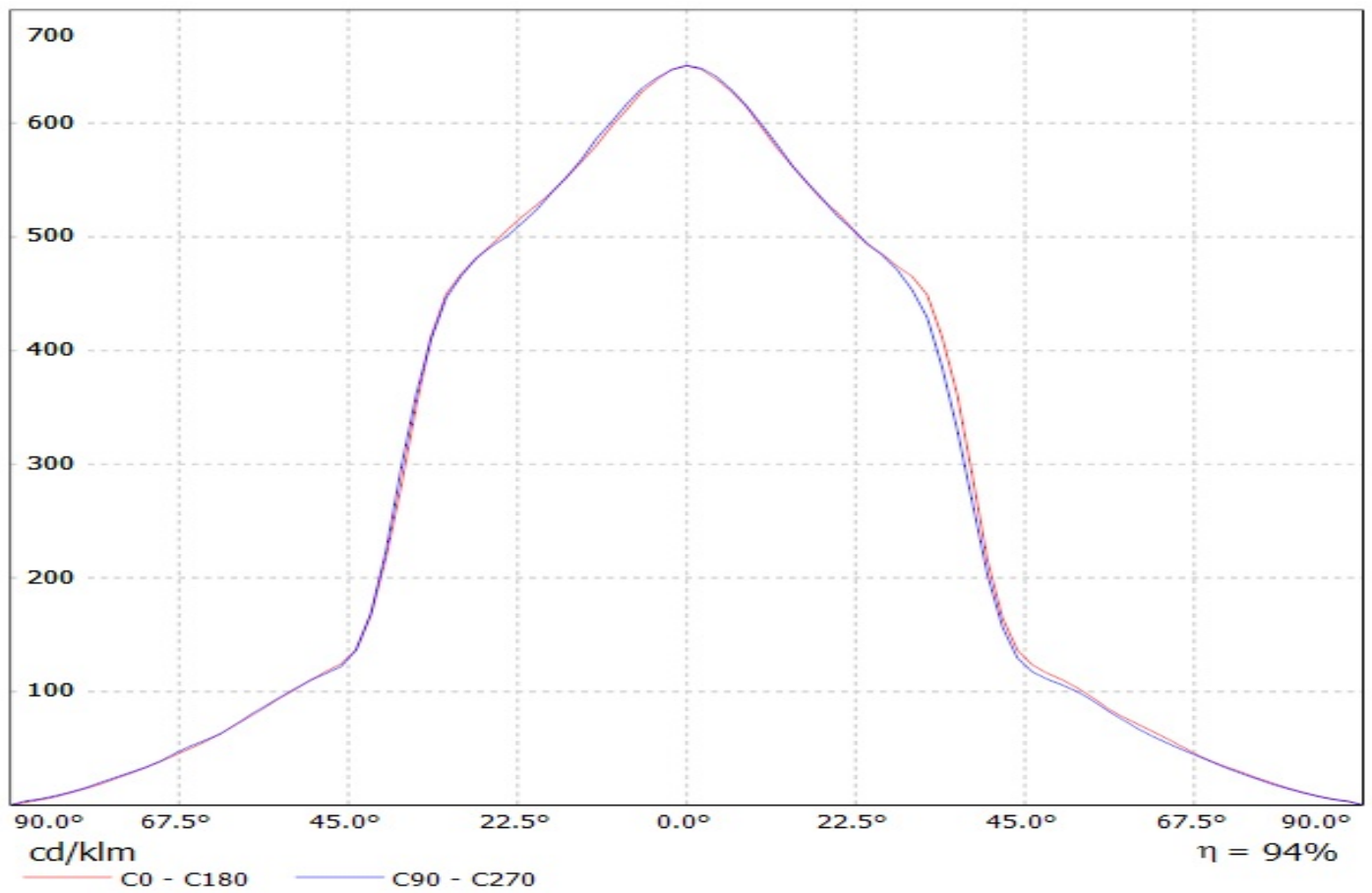
Luminaire: Ledil CN12963\_LENINA-XW\_(CLU710)

Lamps: 1 x CITIZEN\_CLU710\_(CLU710-1204B8-273M2G1)+C12691\_LENA-STD-BASE-CLL030\_1154.75lm@250mA\_P=8.5W\_I=0.25A



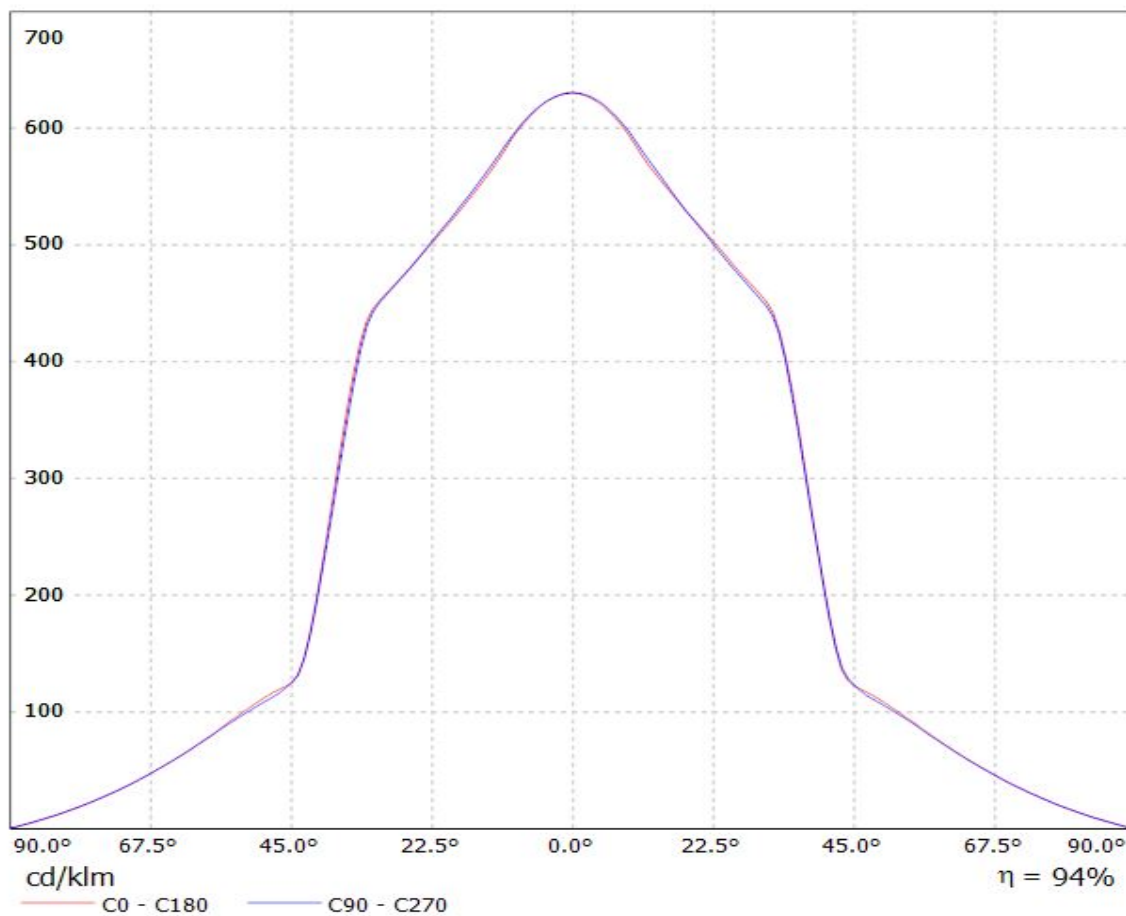
Luminaire: LEDil Oy CN12963\_LENINA-XW\_(CXM-14)

Lamps: 1 x Luminus CXM-14 (1006.41lm @ 250mA) CCT=3100K P=8.5W I=250mA



Luminaire: Ledil CN12963\_LENINA-XW (COB-D\_LES\_14.5mm)

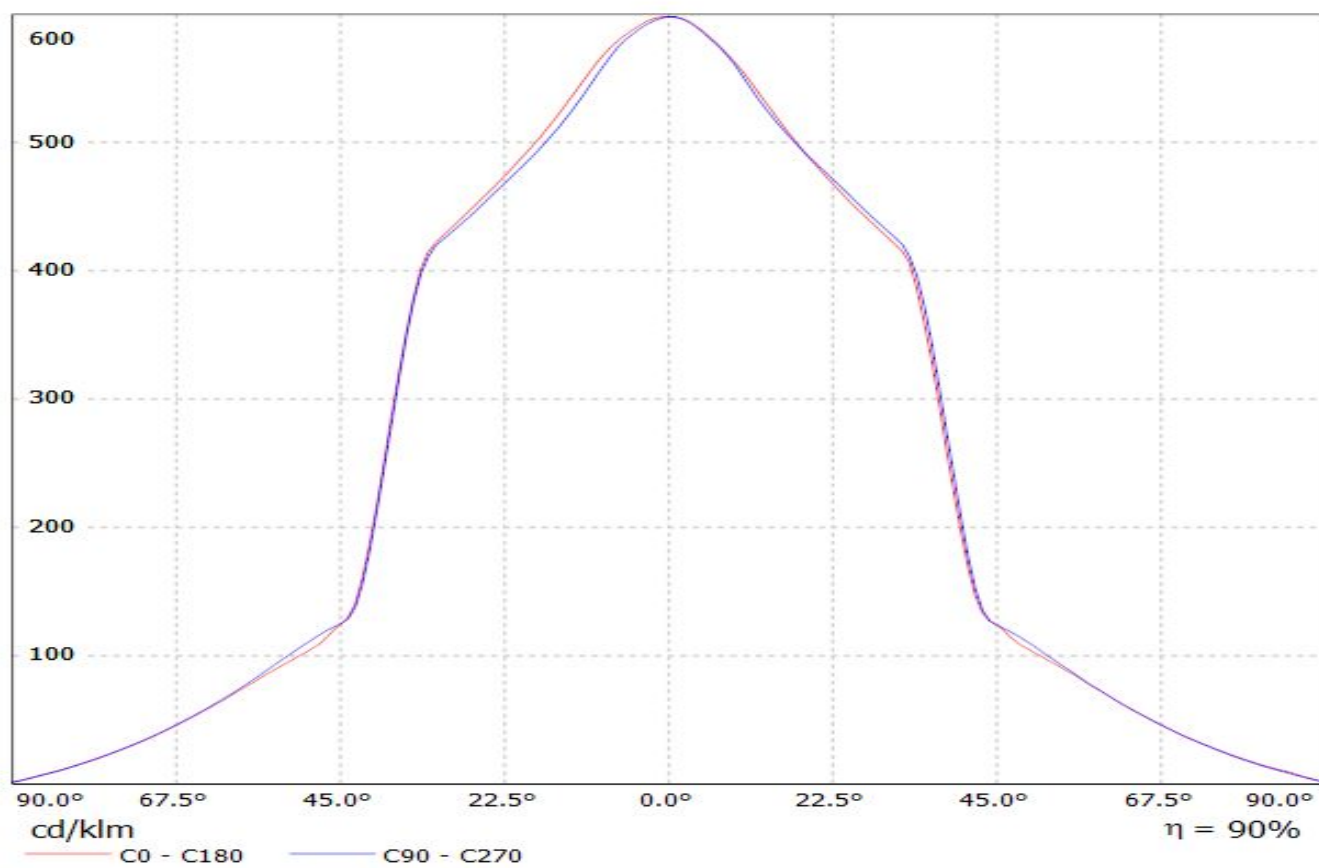
Lamps: 1 x Samsung\_COB-D\_Series\_LES\_14.5mm\_(LC026D)\_+C12691\_1263.51lm@250mA\_CCT=3000K\_P=8.1565W\_I=0.25A



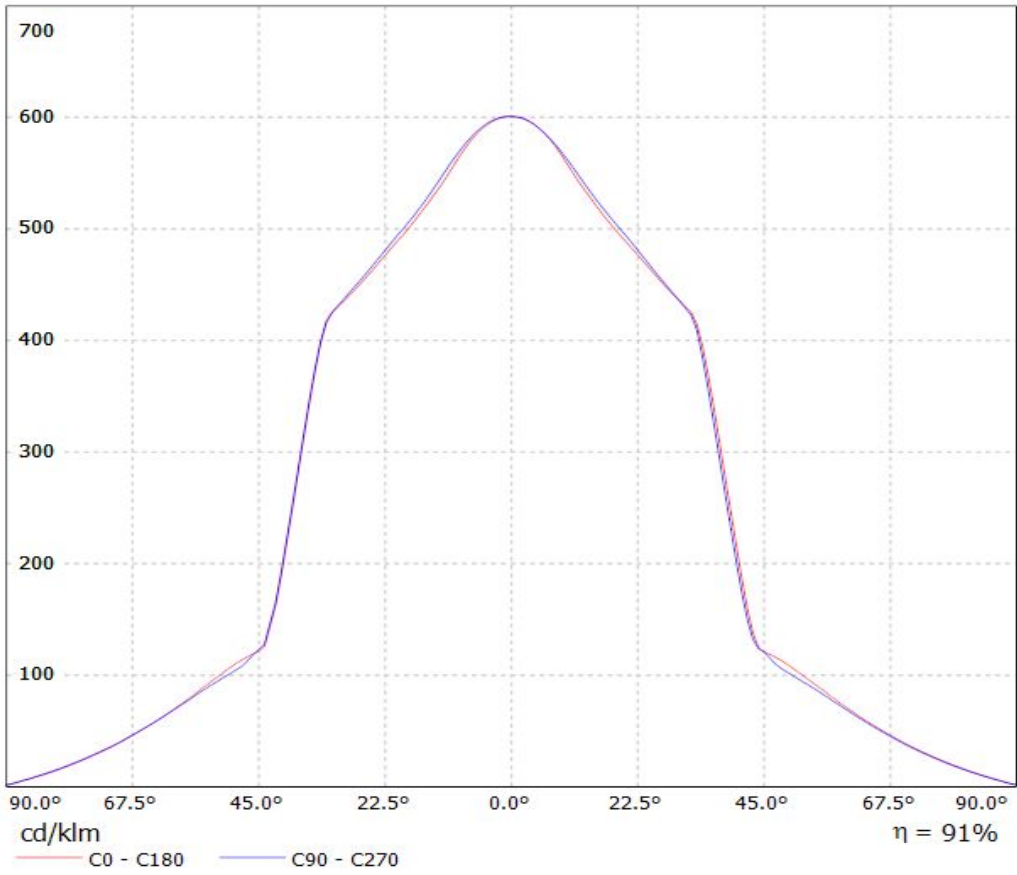


Luminaire: LEDiL Oy CN12963\_LENINA-XW\_(ZC12) Eff.90.2%

Lamps: 1 x SEOUL\_ZC12\_(SDW82F1C)\_1209.83lm@250mA\_CCT=3000K\_P=8.64658W\_I=249.8mA

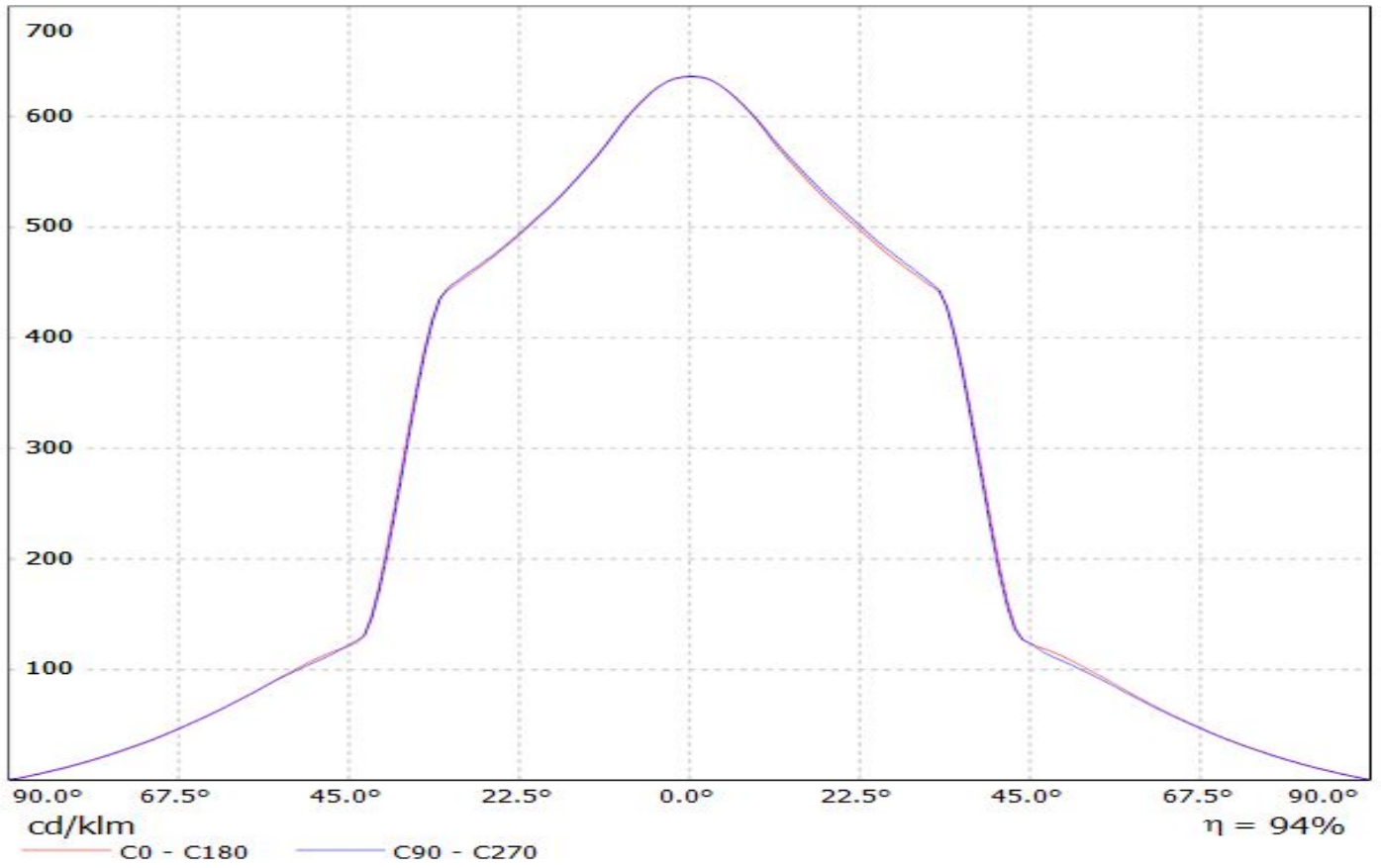


Luminaire: LEDiL Oy CN12963\_LENINA-XW\_(SLE\_G3\_LES17) Eff.90.8%  
Lamps: 1 x TRIDONIC\_STARK\_SLE\_G3\_LES17\_(STARK-SLE-PURE\_G3-17-2000-840-CLA)\_1011.62lm@250mA\_P=8.29243W\_I=249.9mA



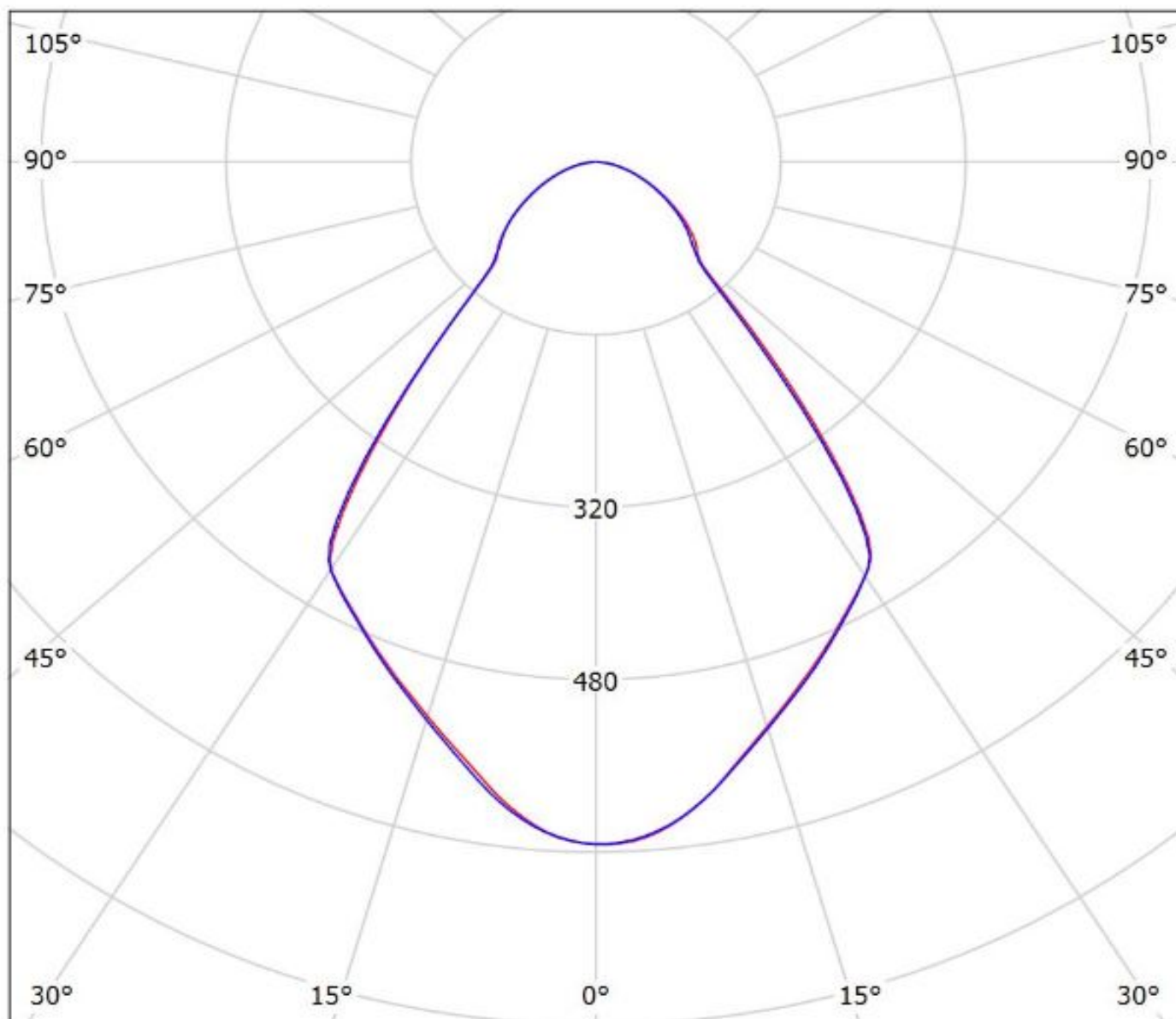
Luminaire: LEDiL Oy CN12963\_LENINA-XW\_(SLE-G5\_LES-15)

Lamps: 1 x Tridonic\_SLE-G5\_LES-15\_1237.18lm@250mA\_P=8.6903W\_I=0.250A



Luminaire: Ledil CN12963\_LENINA-XW\_(CLU036)

Lamps: 1 x CLU036\_(-1208C1-303M2G2)\_1273.68lm@250mA\_P=8.24W\_I=0.25A

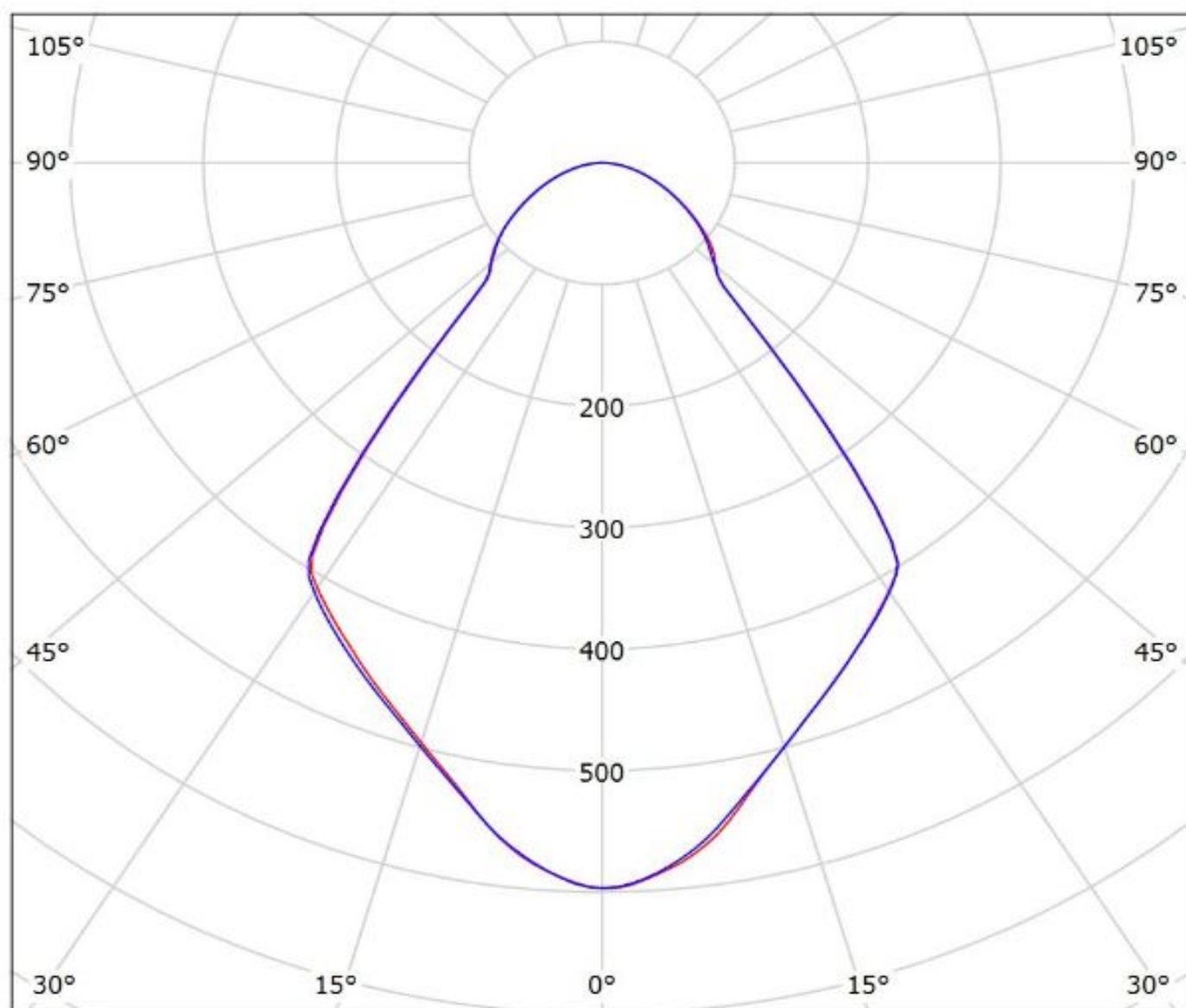


cd/klm

— C0 - C180 — C90 - C270

$\eta = 93\%$

Luminaire: Ledil CN12963\_LENINA-XW\_(CLU720)  
Lamps: 1 x CITIZEN\_CLU720\_(CLU720-1206B8-273M2)  
\_1312.67lm@250mA\_CCT=2700K\_P=8.35W\_I=0.25A



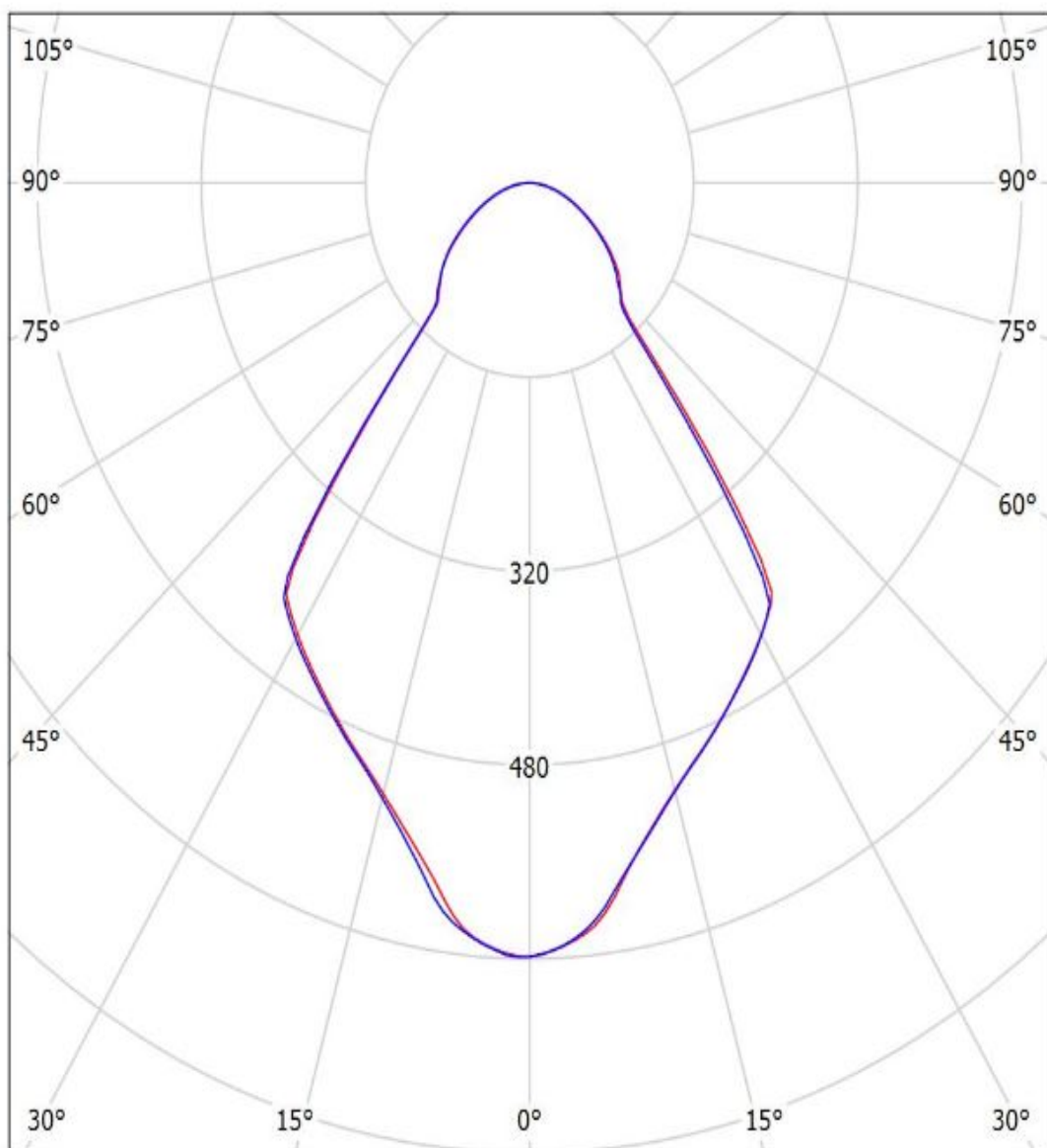
cd/klm

— C0 - C180 — C90 - C270

$\eta = 89\%$

Luminaire: Ledil CN12963\_LENINA-XW\_(CLU710)

Lamps: 1 x CITIZEN\_CLU710\_(CLU710-1204B8-273M2G1)\_+C12691\_LENA-STD-BASE-CLL030\_1154.75lm@250mA\_P=8.5W\_I=0.25A



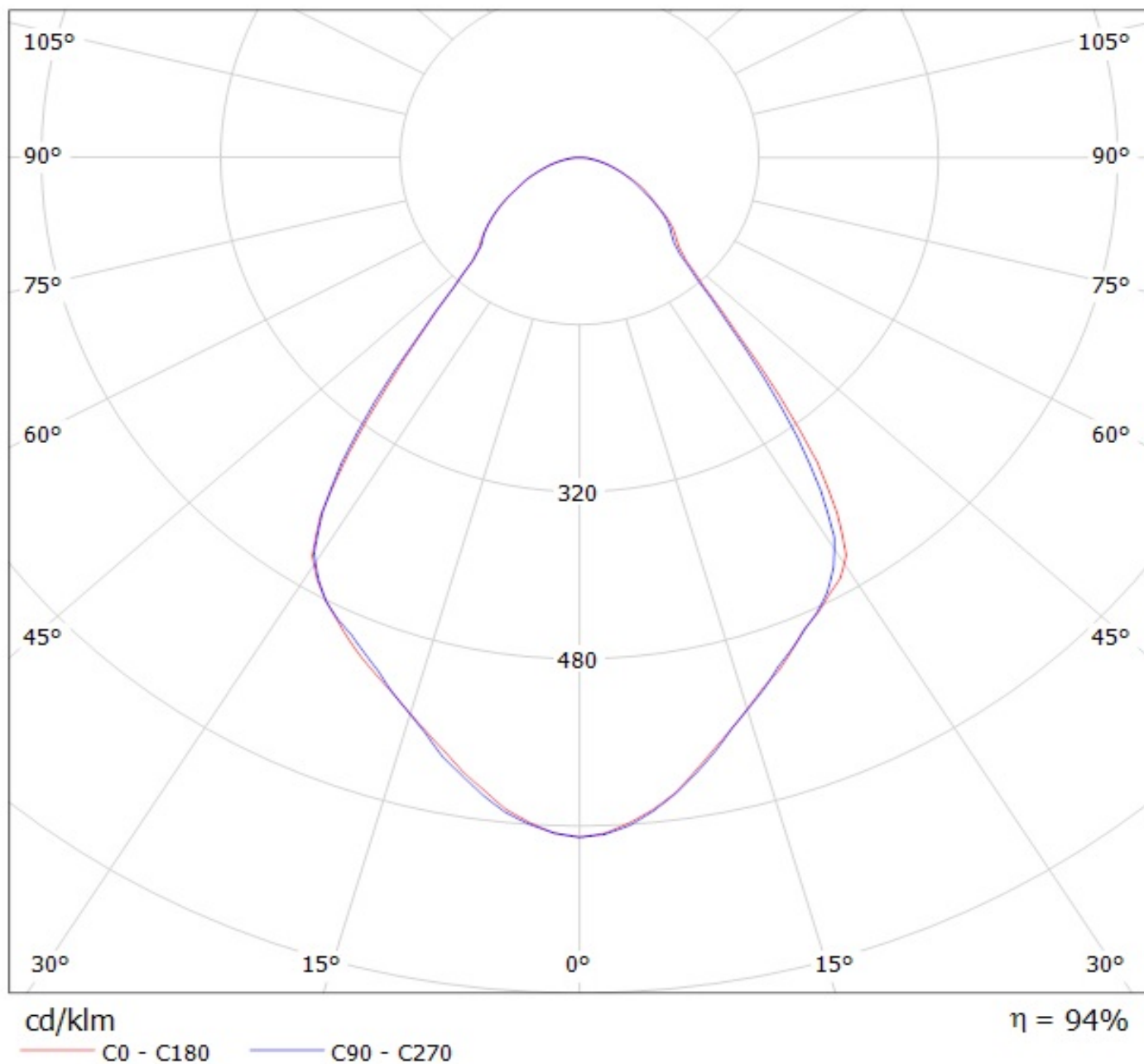
cd/klm

— C0 - C180 — C90 - C270

$\eta = 94\%$

Luminaire: LEDil Oy CN12963\_LENINA-XW\_(CXM-14)

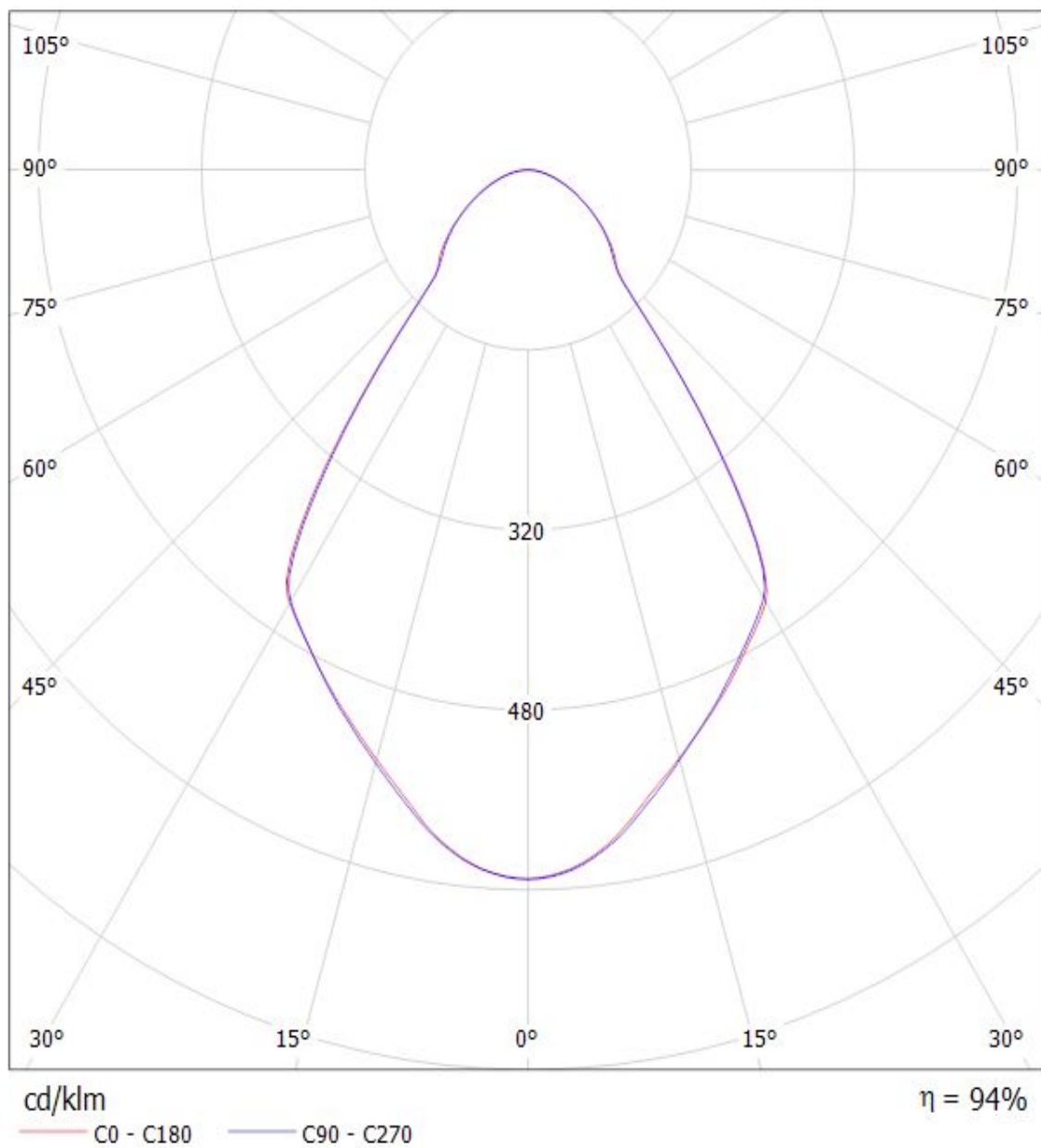
Lamps: 1 x Luminus CXM-14 (1006.41lm @ 250mA) CCT=3100K P=8.5W I=250mA





Luminaire: Ledil CN12963\_LENINA-XW\_(COB-D\_LES\_14.5mm)

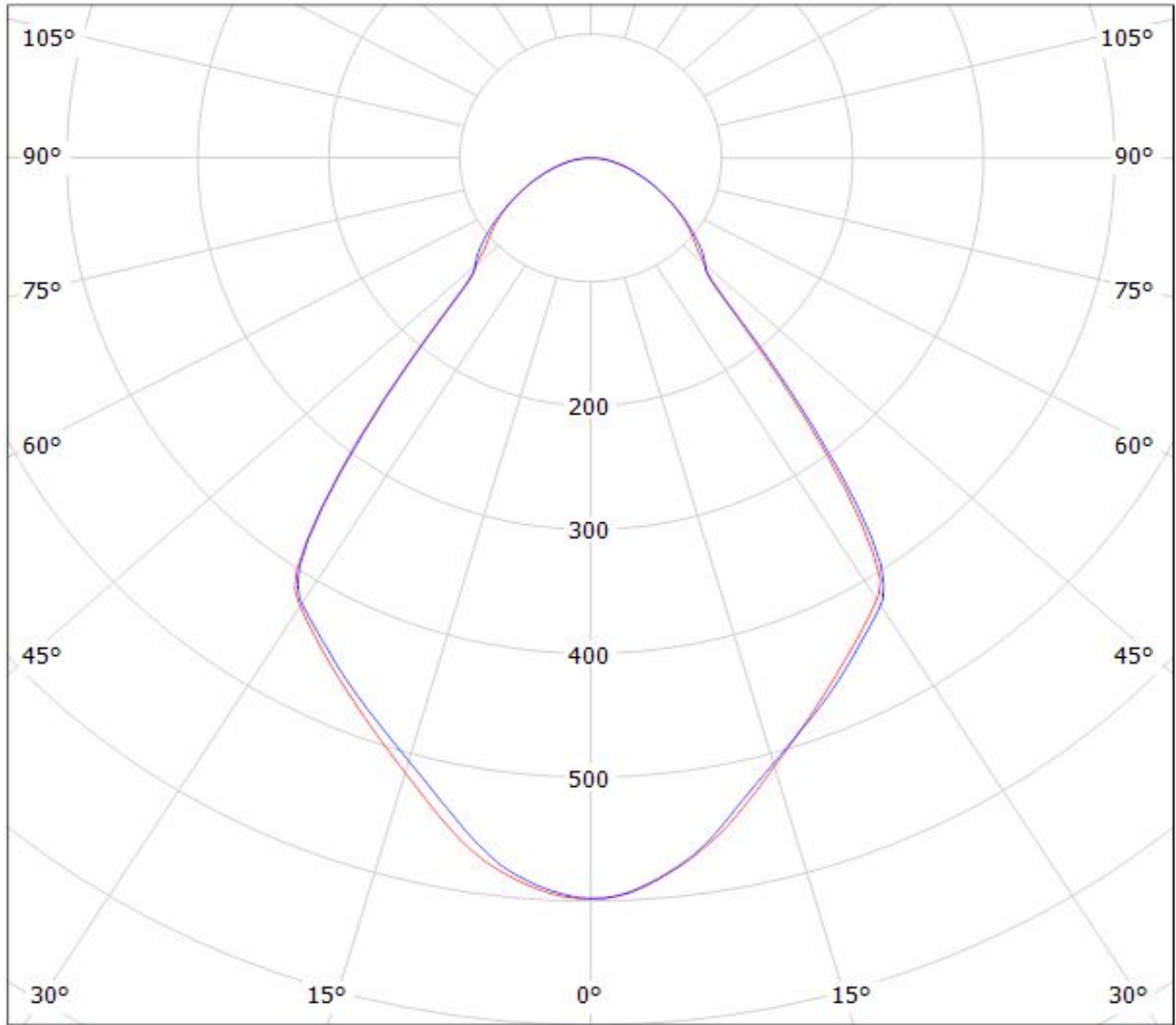
Lamps: 1 x Samsung\_COB-D\_Series\_LES\_14.5mm\_(LC026D)\_+C12691\_1263.5lm@250mA\_CCT=3000K\_P=8.1565W\_I=0.25A





Luminaire: LEDiL Oy CN12963\_LENINA-XW\_(ZC12) Eff.90.2%

Lamps: 1 x SEOUL\_ZC12\_(SDW82F1C)\_1209.83lm@250mA\_CCT=3000K\_P=8.64658W\_I=249.8mA



cd/klm

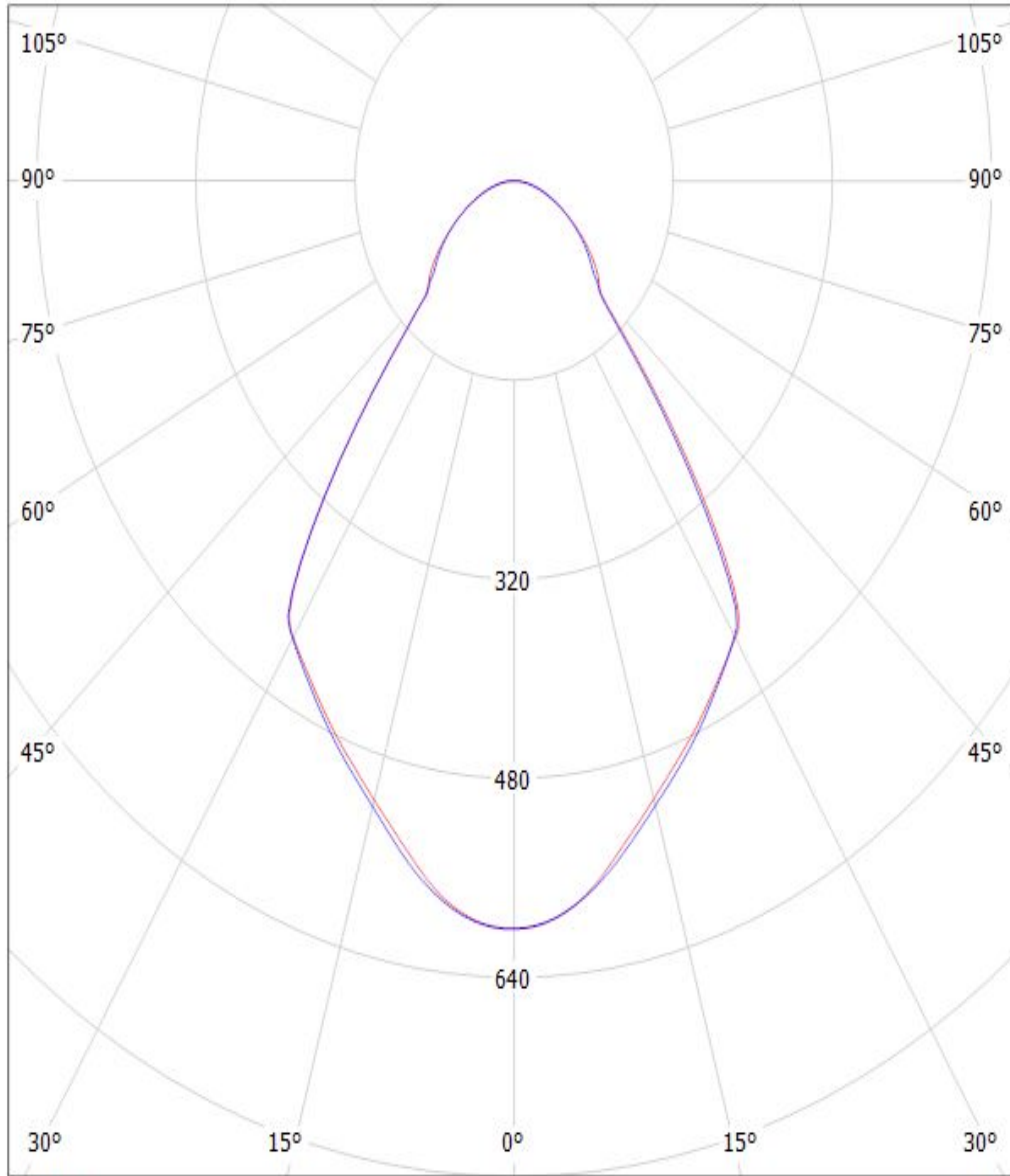
— C0 - C180

— C90 - C270

$\eta = 90\%$

Luminaire: LEDiL Oy CN12963\_LENINA-XW\_(SLE\_G3\_LES17) Eff.90.8%

Lamps: 1 x TRIDONIC\_STARK\_SLE\_G3\_LES17\_(STARK-SLE-PURE\_G3-17-2000-840-CLA)\_1011.62lm@250mA\_P=8.29243W\_I=249.9mA



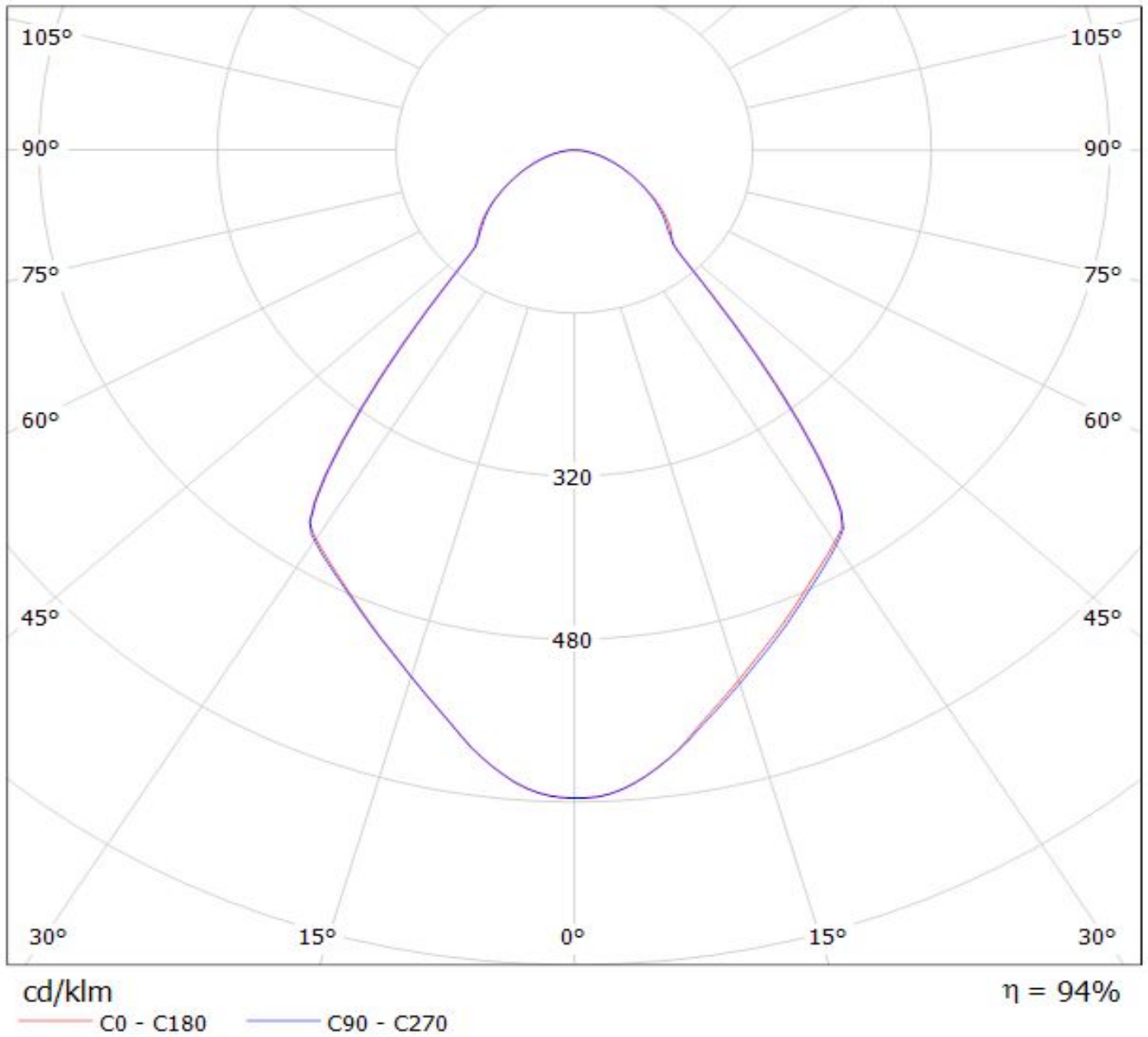
cd/klm

— C0 - C180 — C90 - C270

$\eta = 91\%$

Luminaire: LEDiL Oy CN12963\_LENINA-XW\_(SLE-G5\_LES-15)

Lamps: 1 x Tridonic\_SLE-G5\_LES-15\_1237.18lm@250mA\_P=8.6903W\_I=0.250A



**NOTE: The typical divergence will be changed by different color, chip size and chip position tolerance. The typical total divergence is the full angle measured where the luminous intensity is half of the peak value.**

### **GENERAL INFORMATION**

- Product series especially designed & optimized for series of LEDs.
- Special care taken to make light distribution as uniform as possible.

Note! Due to use of high power COB's with this product, special attention to proper thermal design is highly recommended. LEDiL has no liability for direct, indirect or consecutive damages arising from the LEDiL products being used outside of the recommended temperature range.