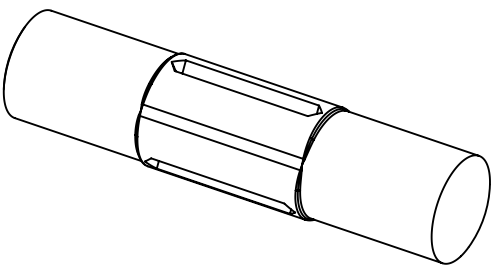
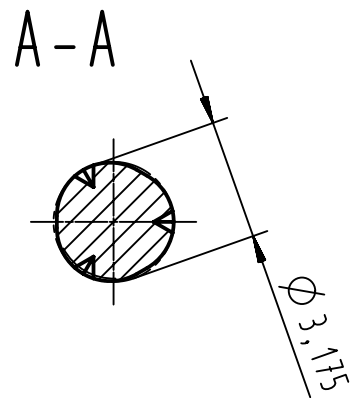
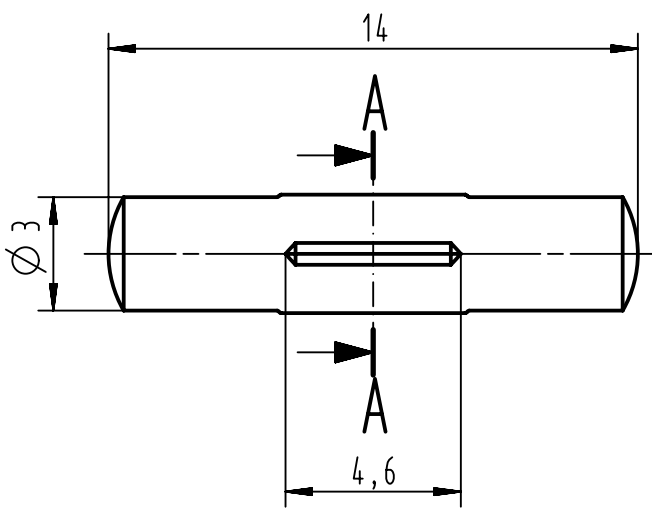



A

B

C

D



	All rights reserved Department EL PD - DE	All Dimensions in mm Original Size DIN A4		Scale 5:1	Free size tol.		Ref.	
		HARTING Electric GmbH & Co. KG D-32339 Espelkamp		Created by SPREENB	Inspected by SCHNIEDER	Standardisation TIEMANNA	Date 2013-04-26	State Final Release
Title Han Coding System Groove Pin, red 3x14 f							Doc-Key / ECM-Nr. 100511159/UGD/000/B 500000061559	
Type TB				Number 09 33 000 9915			Rev. B	Page 1/1