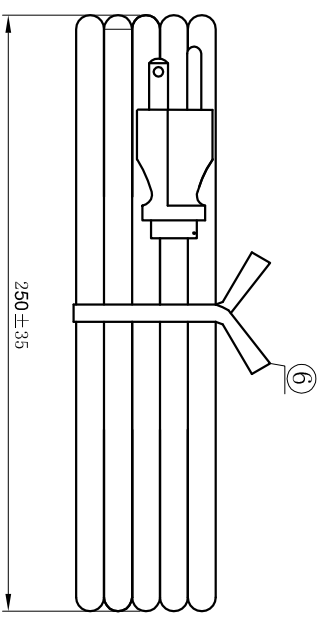
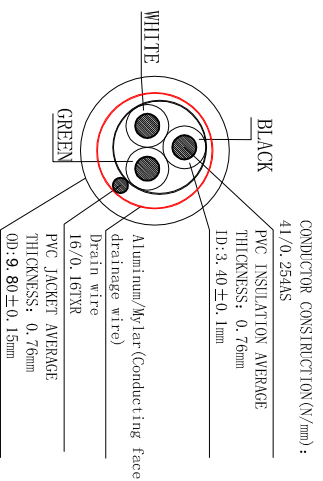
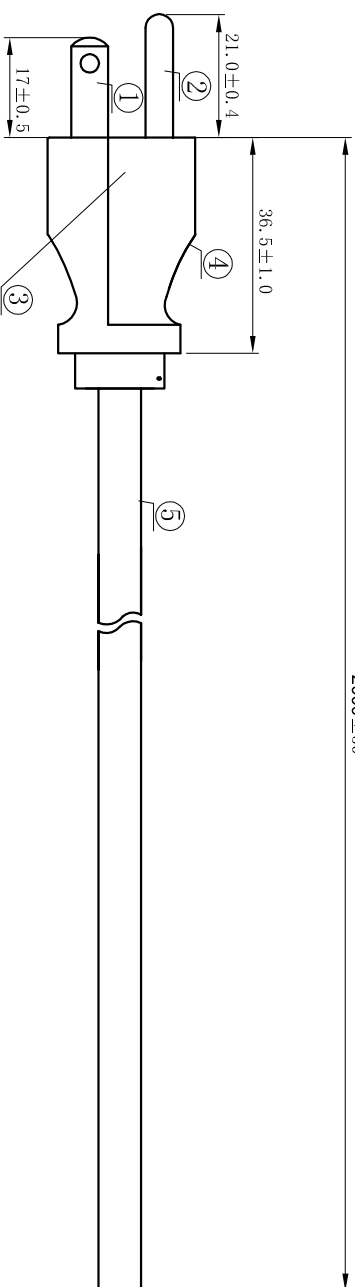
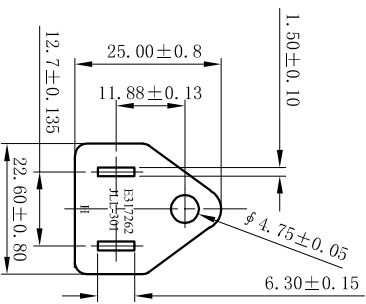


CnC Tech, LLC

Industrial Cable and Connector Technology

Engineer drawing

| | | | | |
|-------------|--------------------------|------|-------|-------|
| PART NO. | JLL-301 | WIRE | SCALE | 1 : 1 |
| DESCRIPTION | SJT#14*3C 60C SHIELDED | | UNIT: | mm |
| DWG No. | 800-1401-0-SJT0-BL-00200 | | | |



NOTES:

- 1) JACKET COLOR: BLACK
 - 2). E-GREEN ; L-BLACK ; N-WHITE
- TESTING:**
- 1) 100% OPEN & SHORT TESTING
 - 2) INSULATION RESISTANCE: 100M ohm (min)
 - 3) VOLTAGE: DC500V/1min
 - 4) ROHS COMPLIANT

Printing the contents of wire The use of printing ink replenish Wire

| | | | |
|-------------|--------------|---------------|--------|
| REV | DATE | DESCRIPTION | SYMBOL |
| DRAWN/DATE | CHECKED/DATE | GONG/11.05.17 | |
| CAI/10.11.3 | | | |

| | | | | |
|-----|--------------------------|--------|----------|--------|
| NO. | SPECIFICATION | COLOUR | MATERIAL | AMOUNT |
| ① | Load terminals 98861 | Silver | Cu | 2P |
| ② | Grounding terminal 97475 | Silver | Cu | 1P |
| ③ | Model aircraft 8661AW-3P | WHITE | PBT | 1PCS |
| ④ | Plug JLL-301 | BLACK | PVC Cu | 1PCS |
| ⑤ | Wire SJT 14AWG/3C 60°C | BLACK | PVC Cu | 1PCS |
| ⑥ | Ties | BLACK | | 1PCS |

E243211 (U) SJT 3X14AWG(208um²) VW-1 SHIELDED 60°C 300V CSA 228191 SJT 3 X14AWG(208um²) P12 SHIELDED 60°C 300V -1F-