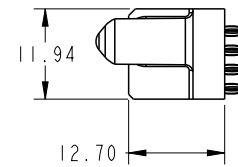
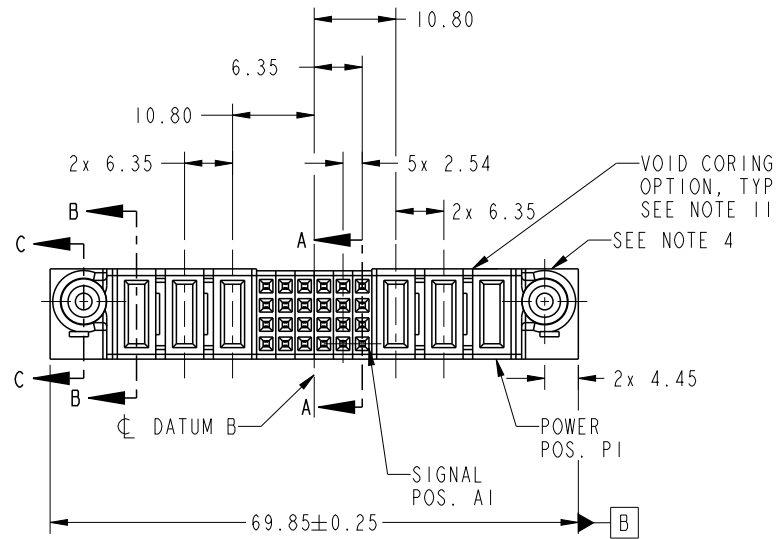


PRODUCT NO.	ROWS	POWER			SIGNAL							POWER								
		E2	P6	P5	P4	6	5	4	3	2	1	P3	P2	P1	E1					
51750-135-- NOTE: 3	D C B A		PC	PC	PC	F	F	F	F	F	F	F	F	F	F	F	PF	PF	PF	

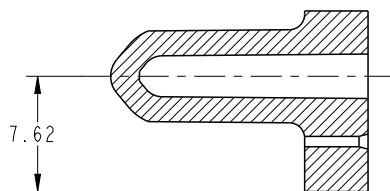
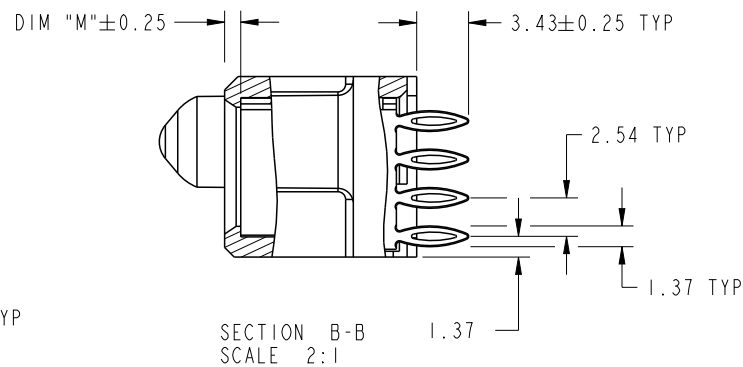
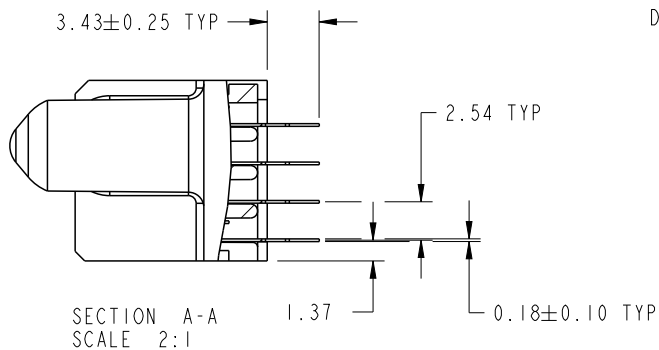


CODE	DIM "M" MATING LENGTH	CONTACT TYPE
PC	[1.07]	POWER
PF	[2.34]	POWER
F	[N/A]	SIGNAL

spec ref	*	dr	Luo Weller	2013/09/22	projection	MM	size	A4	scale	1:1
tolerance std	TOLERANCES UNLESS OTHERWISE SPECIFIED	eng	De-Ming Lu	2014/03/03			ecn no	ELX-DG-17083-1		
SEE NOTE		chr	-	-	product family	PwrBlade	rel level	Released		
surface <input checked="" type="checkbox"/>	linear	0.X	±0.5		title	3P+24S+3P	dwg no	51750-135	rev	B
		0.XX	±0.25							
0.XXX	±0.1									
	angular	0°	±2°	www.fci.com	cat. no.	*	Product - Customer Drw	sheet 1 of 4		

PRODUCT NUMBER

51750-135\_  
NOTE: 3



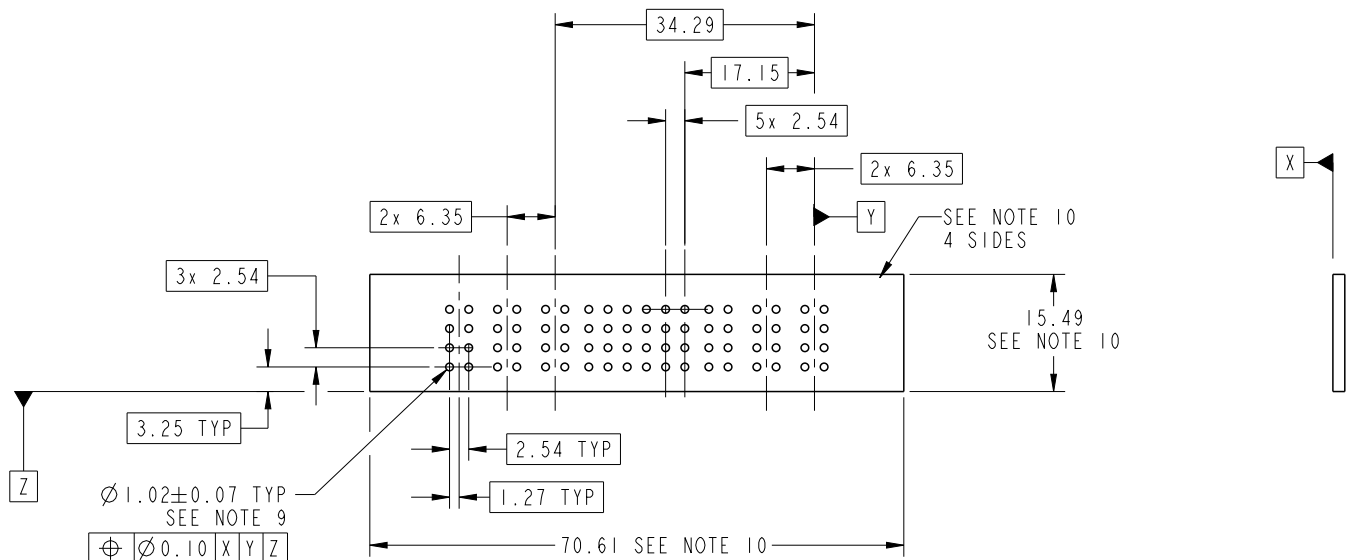
dr	Luo Weller	2013/09/22	projection 	MM 	size	A4	scale	1:1			
eng	De-Ming Lu	2014/03/03			ec n no	ELX-DG-17083-1					
chr	-	-			product family	PwrBlade	rel level	Released			
appr	Pei-Ming Zheng	2014/03/03			title	3P+24S+3P VERTICAL PRESS-FIT RECEPT		dwg no	51750-135	rev	B
www.fci.com		cat. no.	*	Product - Customer Drw			sheet 2 of 4				



Copyright FCI.

PRODUCT NUMBER

51750-135\_\_  
NOTE: 3



RECOMMENDED PCB LAYOUT

dr	Luo Weller	2013/09/22	projection 	MM 	size	A4	scale	1:1			
eng	De-Ming Lu	2014/03/03			ecn no	ELX-DG-17083-1					
chr	-	-			product family	PwrBlade	rel level	Released			
appr	Pei-Ming Zheng	2014/03/03			title	3P+24S+3P		dwg no	51750-135	rev	B
www.fci.com		cat. no.	*	Product - Customer Drw			sheet 3 of 4				

PRODUCT NUMBER

51750-135\_\_  
NOTE: 3

NOTES:

1. DIMENSIONS AND TOLERANCES ARE IN ACCORDANCE WITH ASME Y14.5M, 1994 UNLESS OTHERWISE SPECIFIED.

CONNECTOR NOTES:

② HOUSING MATERIAL: UL 94 V-0 GLASS FILLED HIGH-TEMP THERMOPLASTIC  
POWER CONTACT MATERIAL: COPPER ALLOY  
SIGNAL PIN MATERIAL: COPPER ALLOY

⚠ 3. SEE ITEM 7 & 8 IN PRINT I0064183 FOR PLATING SPEC OF 51750-135 AND 51750-135LF RESPECTIVELY.

④ MANUFACTURER'S NAME, DATE CODE AND OPTIONAL P/N TO APPEAR ON THIS SURFACE. THE MARK CAN BE OMITTED IF THERE IS NOT ENOUGH SPACE ON THIS SURFACE.

5. PRODUCT SPECIFICATION GS-12-149.  
APPLICATION SPECIFICATION BUS-20-067.

6. PACKAGED IN TRAYS.

PCB NOTES:

7. ALL HOLE DIAMETERS ARE FINISHED HOLE SIZE.

⑧ MOUNTING HOLES, WHERE APPLICABLE, ARE UNPLATED.

⑨  $\varnothing 1.151 \pm 0.025$  DRILLED HOLES PLATED WITH  
0.008 MIN SnPb OR Sn OVER 0.03  
TO 0.08 Cu PLATING TO ACHIEVE  
 $\varnothing 1.02 \pm 0.07$  HOLE.

⑩ CONNECTOR KEEP-OUT ZONE.

11. THE VOID CORING IN BETWEEN POWER MODULES, SIGNAL MODULES AND END MODULES ARE OPTIONAL AND THE SHAPE MAY BE DIFFERENT FOR OPTIMIZE THE MOLDING PROCESS. THE VOID CORING WILL NOT EFFECT TO PRODUCT FUNCTION.

⚠ 12. A ⚠ SYMBOL WILL BE NEXT TO ANY DIMENSION, VIEW OR NOTE WHICH HAS BEEN MODIFIED WITH THE CURRENT DRAWING REVISION.

dr	Luo Weller	2013/09/22	projection 	MM 	size	A4	scale	1:1
eng	De-Ming Lu	2014/03/03			ecn no	ELX-DG-17083-1		
chr	-	-			product family	PwrBlade	rel level	Released
appr	Pei-Ming Zheng	2014/03/03	FCj		title	3P+24S+3P		rev
www.fci.com			cat. no.	*	Product - Customer Drw	sheet 4 of 4	B	
			dwg no	51750-135				