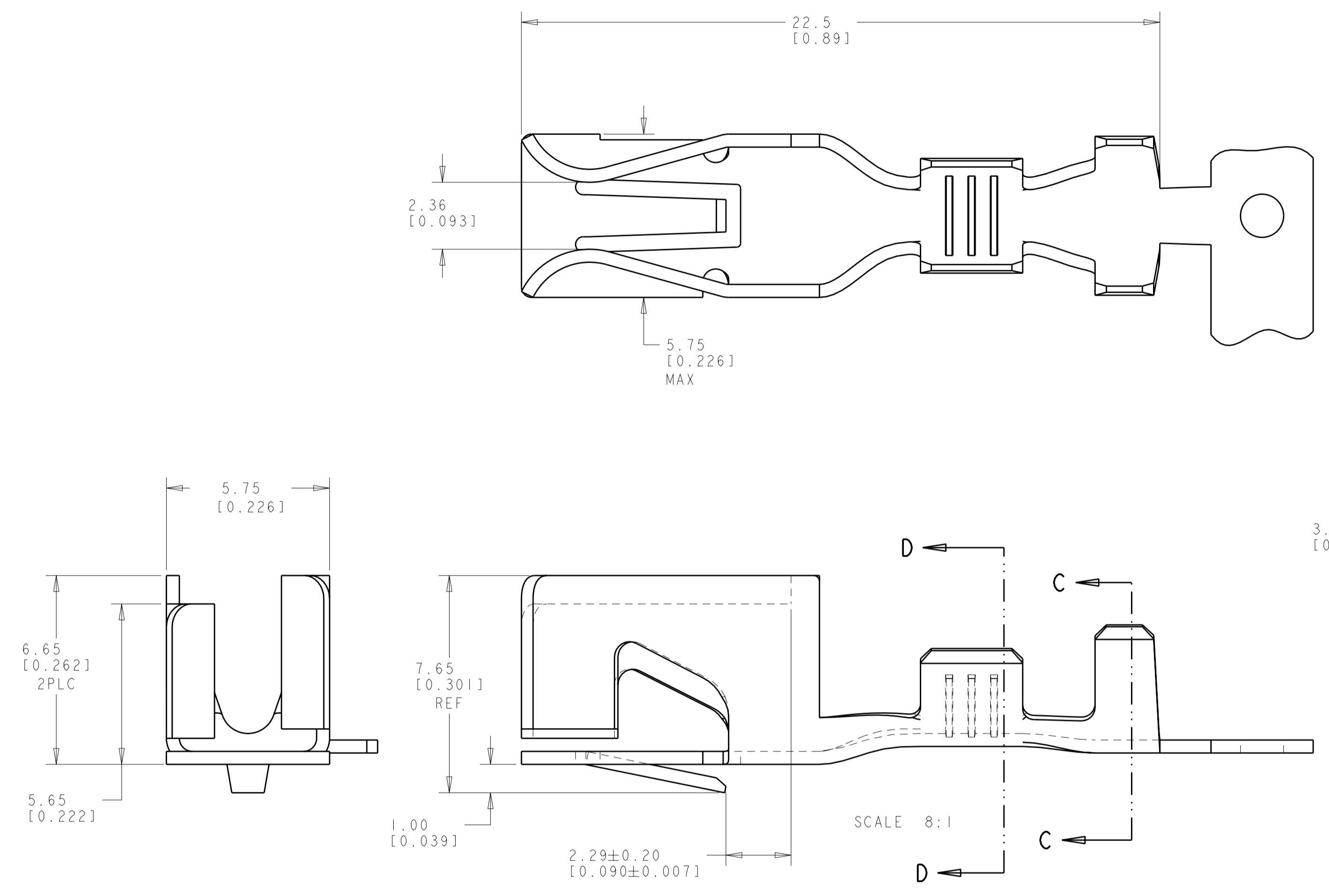
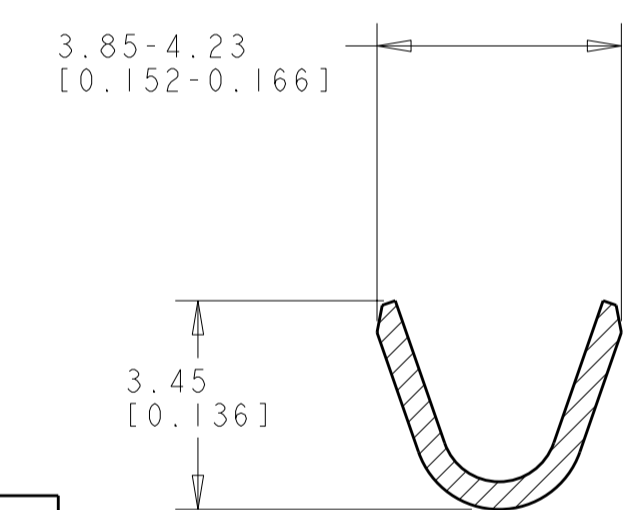


THIS DRAWING IS UNPUBLISHED. RELEASED FOR PUBLICATION 20
 © COPYRIGHT 20 BY TYCO ELECTRONICS CORPORATION. ALL RIGHTS RESERVED.

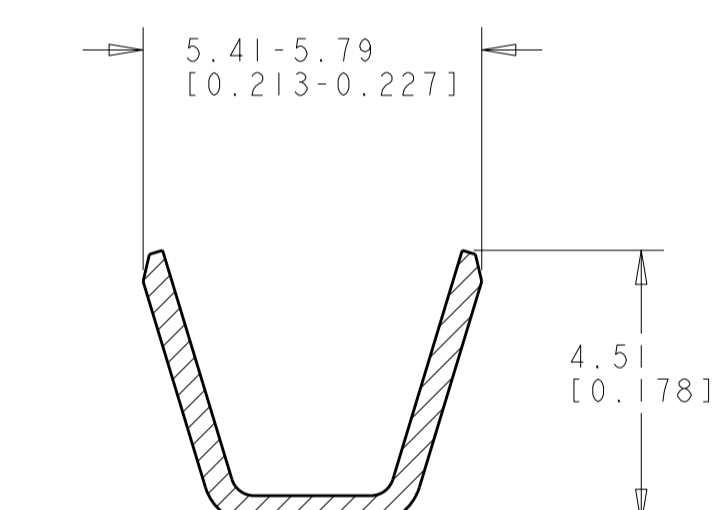
LOC		DIST		REVISIONS			
P	LTR	DESCRIPTION	DATE	DWN	APVD		
-	-	A3	REVISED PER ECR-08-008671	24APR2008	HMR	DD	



- NOTES:
- 1 MATERIAL: 0.457 THK, PHOSPHOR BRONZE
 - 2 FINISH: PRE-PLATED TIN
 - 3 CONTINUOUS STRIP ON REELS
 - 4 PREPRODUCTION - FASR REQUIRED.



SECTION D-D



SECTION C-C

F OR 0	4.57 [.180]	7.00 [.276]	F	2.79 [.110]	1.75 [.069]	2 [#18]
					1.47 [.058]	1 [#18]
TYPE	WIDTH	STRIP LENGTH ±0.38 ±[.015]	TYPE	WIDTH	±0.051 ±[.002] HEIGHT	WIRE
INSUL BARREL CRIMP		WIRE BARREL CRIMP				

1.78 - 1.98 DIA [.070 - .078] DIA	[#20 - #18] AWG	1742396-1
INSULATION RANGE	WIRE SIZE	PART NUMBER

THIS DRAWING IS A CONTROLLED DOCUMENT FOR TYCO ELECTRONICS CORPORATION. IT IS SUBJECT TO CHANGE AND THE CONTROLLING ENGINEERING ORGANIZATION SHOULD BE CONTACTED FOR THE LATEST REVISION.		DWN S_HILT 15MAY2007	Tyco Electronics Harrisburg, PA 17105-3608	
DIMENSIONS: mm		CHK S_HORST 15MAY2007	NAME TERMINAL, LAMP SOCKET, GROUND	
TOLERANCES UNLESS OTHERWISE SPECIFIED: 0 PLC ± 1 PLC ± 2 PLC ±0.13 3 PLC ± 4 PLC ± ANGLES ± FINISH		APVD -	RESTRICTED TO -	
MATERIAL		PRODUCT SPEC 108-2315	SIZE A200779	
1		APPLICATION SPEC 114-13209	CAGE CODE C-1742396	
2		WEIGHT -	DRAWING NO 1742396	
CUSTOMER DRAWING		SCALE 8		SHEET 1 OF 1 REV A3