



PRODUCT DATASHEET

RGBX series

last update 20/1/2017

DETAILS

Product Number	CP10961_RGBX-SS
Family	RGBX
Type	Assembly
Color	black
Diameter	30,4 mm
Height	28,8 mm
Style	round
Optic Material	PMMA
Holder Material	
Fastening	glue
Status	production ready
ROHS Compliant	Yes
Date Updated	20/01/2017



OPTICAL PROPERTIES

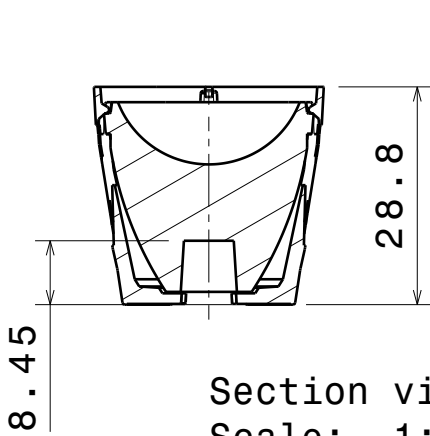
LED	Viewing Angle	Light Beam	Efficiency	cd/lm	Connector
MC-E	20 deg	Smooth spo..	85 %	3.800	-

D

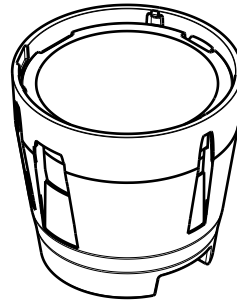
C

B

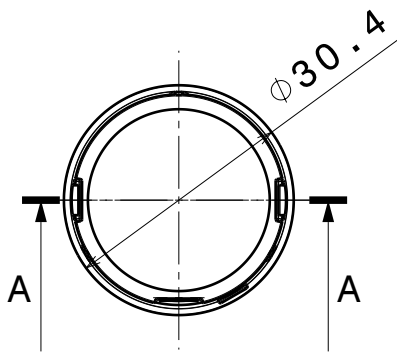
A



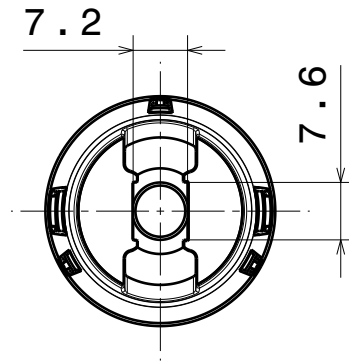
Section view A-A
Scale: 1:1



Isometric view
Scale: 1:1



Front view
Scale: 1:1



Rear view
Scale: 1:1

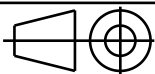
INDEX	PART NO	DESCRIPTION	MATERIAL	COLOUR
1	C10548	RGBX-MC-HLD	PC	black
2	C10542	RGBX-SS	PMMA	

Tolerances if not otherwise shown
According to DIN ISO 2768-1
Linear measures:
Up to 30mm class M, otherwise class C.
According to DIN ISO 2768-2
Form and position: class L

LEDiL

Ledil Oy
Salorankatu 10
FIN 24240 SALO
Finland

THIRD ANGLE PROJECTION:



DRAWING TITLE

CP10961_RGBX-SS

This drawing is the property
of LEDiL Oy. It may not be
reproduced, copied or
communicated without a written
agreement with LEDiL Oy.

SIZE PART NUMBER

A4

CP10961

SCALE 1:1 WEIGHT 11,6 g SHEET 1/1

D

A

NOTE: The typical divergence will be changed by different color, chip size and chip position tolerance. The typical total divergence is the full angle measured where the luminous intensity is half of the peak value.