

4

3

2

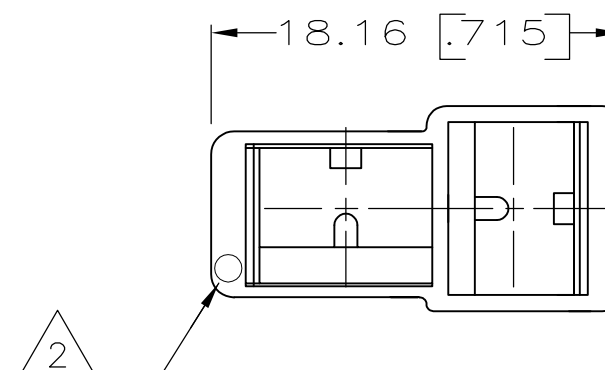
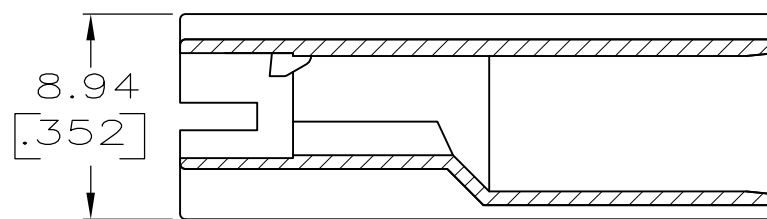
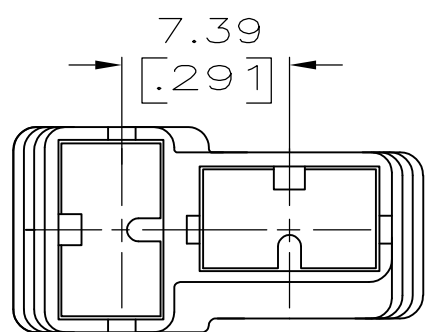
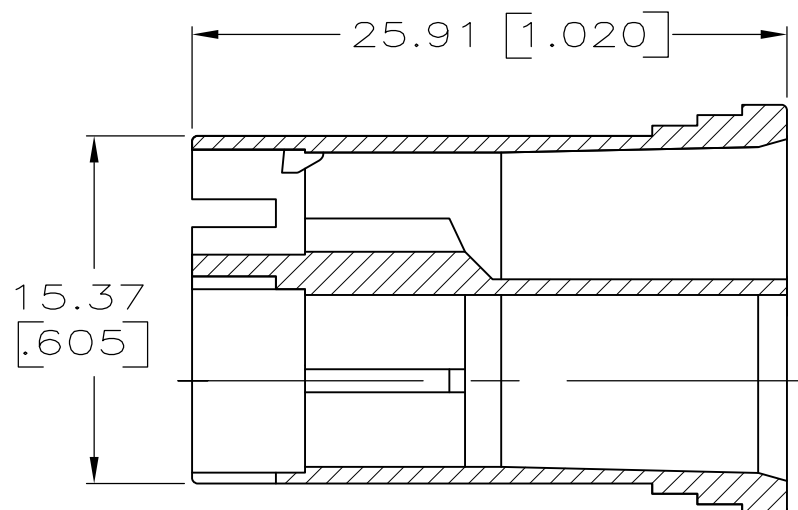
1

THIS DRAWING IS UNPUBLISHED. RELEASED FOR PUBLICATION

© COPYRIGHT BY TYCO ELECTRONICS CORPORATION. ALL RIGHTS RESERVED.

LOC	DIST	REVISIONS					
AF	50	P	LTR	DESCRIPTION	DATE	DWN	APVD
		G		REVISED PER ECR-06-029276	22MAY07	HMR	EH

- △1 DIMENSIONS IN BRACKETS ARE IN INCHES.
- △2 CAVITY ID.
- △3 GLASS REINFORCED, 25% MAX REGRIND



520910-1

PART NO.

THIS DRAWING IS A CONTROLLED DOCUMENT.		DWN	JR RUTH	8/19/87	tyco Electronics	Tyco Electronics Corporation Harrisburg, Pa 17105-3608															
DIMENSIONS: INCHES		CHK	G YETTER	8/19/87		NAME															
TOLERANCES UNLESS OTHERWISE SPECIFIED:		APVD	R KUZO	8/19/87	HOUSING, POSITIVE-LOCK, T-TYPE, .250 SERIES																
<table border="0"> <tr><td>0 PLC</td><td>± -</td></tr> <tr><td>1 PLC</td><td>± -</td></tr> <tr><td>2 PLC</td><td>± -</td></tr> <tr><td>3 PLC</td><td>± 0.25 [.010]</td></tr> <tr><td>4 PLC</td><td>± -</td></tr> <tr><td>ANGLES</td><td>± -</td></tr> </table>		0 PLC	± -	1 PLC	± -	2 PLC	± -	3 PLC	± 0.25 [.010]	4 PLC	± -	ANGLES	± -	PRODUCT SPEC	-			SIZE	CAGE CODE	DRAWING NO	RESTRICTED TO
0 PLC	± -																				
1 PLC	± -																				
2 PLC	± -																				
3 PLC	± 0.25 [.010]																				
4 PLC	± -																				
ANGLES	± -																				
MATERIAL		APPLICATION SPEC	-			A3	00779	C-520910	-												
6/6 NYLON △3		WEIGHT	-			CUSTOMER DRAWING		SCALE	3:1												
FINISH		BLACK			SHEET		1 OF 1	REV	G												