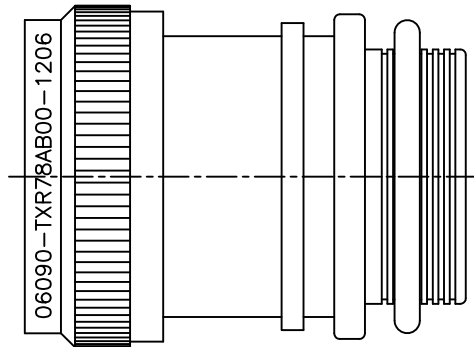


THIS DRAWING AND THE INFORMATION SET FORTH HERE- ON ARE THE PROPERTY OF TYCO ELECTRONICS AND ARE TO BE HELD IN TRUST AND CONFIDENCE. PUB- LICATION, DUPLICATION, DISCLOSURE, OR USE FOR ANY PURPOSE NOT EXPRESSLY AUTHORIZED IN WRITING BY TYCO ELECTRONICS IS PROHIBITED.	REVISIONS			
	LTR	DESCRIPTION	DATE	APPROVED
	B	REVISED PER ECO-13-002167	02/05/13	G.WELLS



CODE 78 TINEL-LOCK ADAPTER

NOTES:


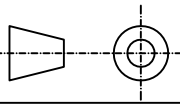
1. THIS PRODUCT IS DESIGNED TO TERMINATE A BRAIDED CABLE SHIELD AND A HEAT SHRINKABLE LIPPED BOOT TO A CONNECTOR.
2. SEE CH00-0250-008 FOR ORDERING INFORMATION, MODIFICATIONS AND ADDITIONAL DIMENSIONS.
- ③ SEE DRAWING "TR" FOR DETAIL ON TINEL-LOCK RING. RINGS ARE DESIGNED TO BE HEATED ELECTRICALLY. ALL RINGS ARE MARKED WITH THERMOCHROMIC PAINT WHICH CHANGES COLOR WHEN INSTALLATION TEMPERATURE IS REACHED.
4. ADAPTER TO BE PERMANENTLY MARKED WITH CODE IDENT. NO. AND PART NO., LESS RING DESIGNATOR (E.G.: 06090-TXR78AB00-1206). RINGS SHALL BEAR NO MARKING.
- ⑤ ADAPTER MATES TO BS9522 F0032 (PATT 121B) CONNECTORS; ONLY MANUFACTURED BY AB CONNECTORS LTD. SEALING IS ONLY ACHIEVED WHEN USING GROMMETS ABB-*-*-**-*GAC-***, SUPPLIED BY AB CONNECTORS.
- ⑥ FOR LARGER ENTRY SIZES, A 2 PIECE ADAPTER (TYPEII) IS SUPPLIED.

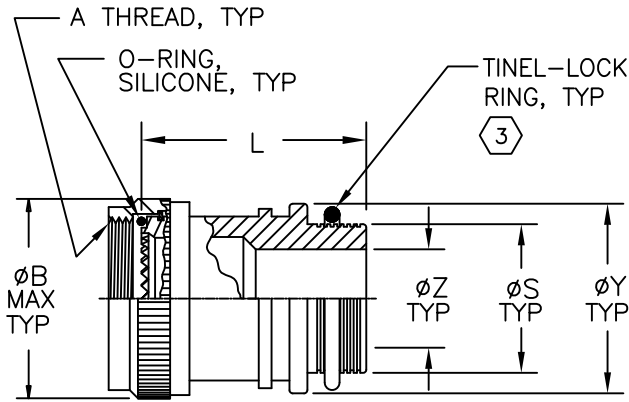
Raychem Adapters

If this document is printed it becomes uncontrolled. Check for the latest revision

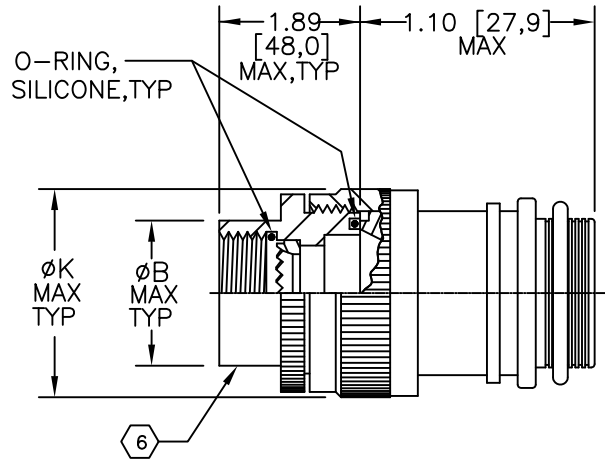
CUSTOMER DRAWING

© 2012-2013 Tyco electronics corporation. All rights reserved

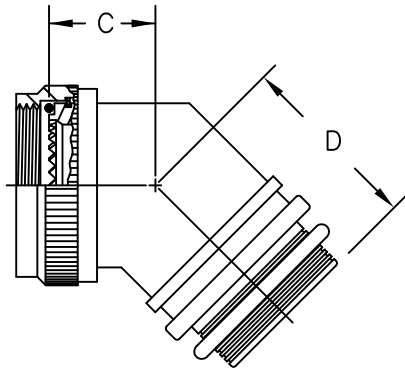
UNLESS OTHERWISE SPECIFIED DIMENSIONS ARE IN INCHES AND TOLERANCES ARE: .XXX ± - .XX ± - .X ± - ANGLES .X ± -	DRAWN E.GOLDY	DATE 05-10-93			TE Connectivity	
	CHECKED -	DATE -				
	APPROVED -	DATE -	TITLE TINEL-LOCK™ ADAPTER			
MATERIAL -	THIRD ANGLE PROJECTION 		SIZE A	CAGE CODE: 06090	DWG. NO. TXR78	REV B
FINISH -	CAD NAME TXR78 CD 1.dwg	RPN: -	SCALE: NONE	SHEET 1 OF 3		



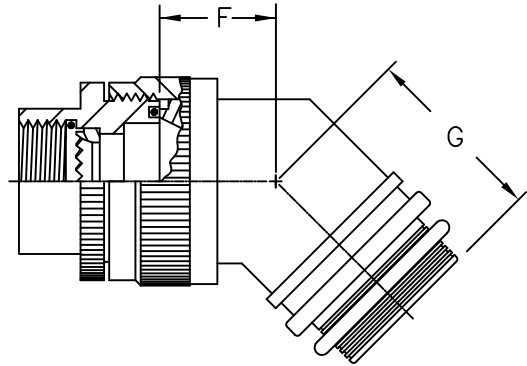
STRAIGHT ADAPTER-TYPE I



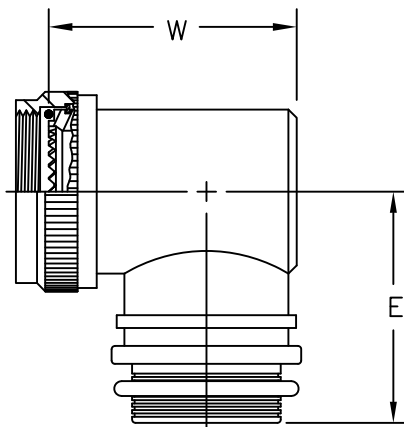
STRAIGHT ADAPTER-TYPE II



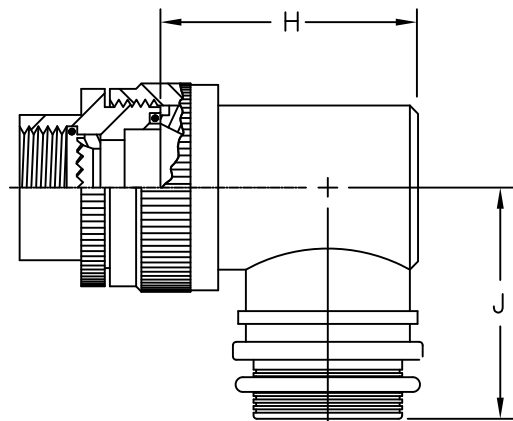
45° ADAPTER-TYPE I



45° ADAPTER-TYPE II



90° ADAPTER-TYPE I



90° ADAPTER-TYPE II

If this document is printed it becomes uncontrolled. Check for the latest revision

Raychem Adapters
CUSTOMER DRAWING

SIZE A	CAGE CODE: 06090	DWG. NO. TXR78	REV B
SCALE: NONE		SHEET 2 OF 3	

ORDER NO.	SHELL SIZE 5	MAX ENTRY SIZE TYPE I 6	A THREAD CLASS 2B	B DIA MAX	C MAX	D MAX	E MAX	L MAX	W MAX
12	10SL & 12S	05	.625-24 UNEF	.910 [23,1]	.730 [18,5]	.925 [23,5]	1.10 [27,95]	1.11 [28,20]	1.213 [30,8]
14	14S	07	.750-20 UNEF	1.040 [26,4]	.752 [19,1]	.945 [24,0]	1.18 [29,98]	1.11 [28,20]	1.275 [32,4]
16	16S & 16	08	.875-20 UNEF	1.221 [31,0]	.867 [22,0]	.965 [24,5]	1.22 [30,99]	1.45 [36,83]	1.587 [40,3]
18	18	10	1.000-20 UNEF	1.351 [34,3]	.906 [23,0]	.985 [25,0]	1.30 [33,03]	1.45 [36,83]	1.744 [44,3]
20	20	12	1.125-18 UNEF	1.469 [37,3]	.985 [25,0]	1.024 [26,0]	1.36 [34,55]	1.53 [38,87]	1.837 [46,7]
22	22	14	1.250-18 UNEF	1.599 [40,6]	.985 [25,0]	1.043 [26,5]	1.42 [36,07]	1.53 [38,87]	1.963 [49,9]
24	24	16	1.375-18 UNEF	1.729 [43,9]	1.024 [26,0]	1.063 [27,0]	1.50 [38,11]	1.62 [41,15]	2.087 [53,0]
28	28	18	1.625-18 UNEF	1.969 [50,01]	1.102 [28,0]	1.102 [28,0]	1.61 [40,90]	1.62 [41,15]	2.213 [56,2]
32	32	22	1.875-16 UN	2.221 [56,4]	1.102 [28,0]	1.142 [29,0]	1.75 [44,46]	1.76 [44,71]	2.463 [62,6]
36	36	24	2.062-16 UNS	2.469 [62,71]	1.142 [29,0]	1.201 [30,5]	1.85 [47,00]	1.76 [44,71]	2.645 [67,2]

ENTRY SIZE	Z +.010 -.020	S DIA	Y ±.015 [±0.38]	F MAX	G MAX	H MAX	J MAX	K MAX
04	.250 [6,35]	.376 [9,56] .370 [9,39]	.550 [13,97]	—	—	—	—	—
05	.312 [7,92]	.438 [11,13] .432 [10,97]	.612 [15,54]	—	—	—	—	—
06	.375 [9,52]	.501 [12,73] .495 [12,57]	.675 [17,14]	.772 [19,6]	.930 [23,6]	1.189 [30,2]	1.162 [29,5]	.800 [20,3]
07	.437 [11,09]	.563 [14,31] .556 [14,12]	.737 [18,71]	.800 [20,3]	.949 [24,1]	1.382 [35,1]	1.221 [31,0]	.922 [23,4]
08	.500 [12,70]	.626 [15,91] .619 [15,72]	.800 [20,32]	.800 [20,3]	.949 [24,1]	1.382 [35,1]	1.221 [31,0]	.922 [23,4]
10	.625 [15,87]	.752 [19,11] .742 [18,84]	.925 [23,49]	.839 [21,3]	1.000 [25,4]	1.512 [38,4]	1.351 [34,3]	1.182 [30,0]
12	.750 [19,05]	.877 [22,28] .867 [22,02]	1.050 [26,67]	.859 [21,8]	1.012 [25,7]	1.630 [41,4]	1.402 [35,6]	1.351 [34,3]
14	.875 [22,23]	1.002 [25,46] .991 [25,17]	1.175 [29,84]	.882 [22,4]	1.040 [26,4]	1.780 [45,2]	1.461 [37,1]	1.410 [35,8]
16	1.000 [25,40]	1.127 [28,63] 1.116 [28,34]	1.300 [33,02]	.910 [23,1]	1.060 [26,9]	1.882 [47,8]	1.532 [38,9]	1.599 [40,6]
18	1.125 [28,57]	1.252 [31,81] 1.241 [31,52]	1.425 [36,19]	.930 [23,6]	1.091 [27,7]	2.012 [51,1]	1.591 [40,4]	1.662 [42,2]
20	1.250 [31,75]	1.377 [34,98] 1.366 [34,69]	1.550 [39,37]	.981 [24,9]	1.130 [28,7]	2.130 [54,1]	1.780 [45,2]	2.040 [51,8]
22	1.375 [34,93]	1.502 [38,15] 1.488 [37,79]	1.675 [42,55]	1.032 [26,2]	1.382 [35,1]	2.292 [58,2]	1.851 [47,0]	2.229 [56,6]
24	1.500 [38,10]	1.627 [41,33] 1.613 [40,97]	1.800 [45,72]	1.079 [27,4]	1.441 [36,6]	2.422 [61,5]	1.922 [48,8]	2.229 [56,6]

Raychem Adapters

If this document is printed it becomes uncontrolled. Check for the latest revision

CUSTOMER DRAWING

SIZE A	CAGE CODE: 06090	DWG. NO. TXR78	REV B
SCALE: NONE		SHEET 3 OF 3	