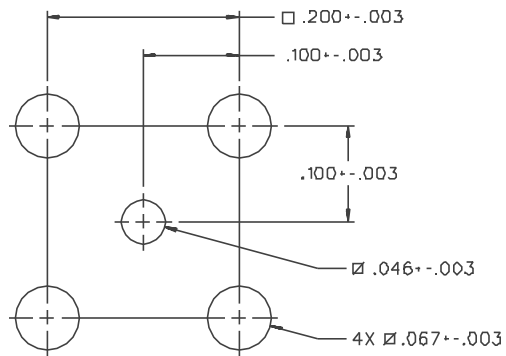
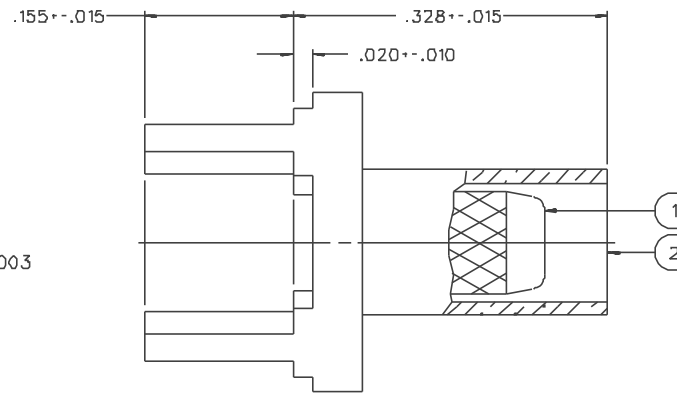
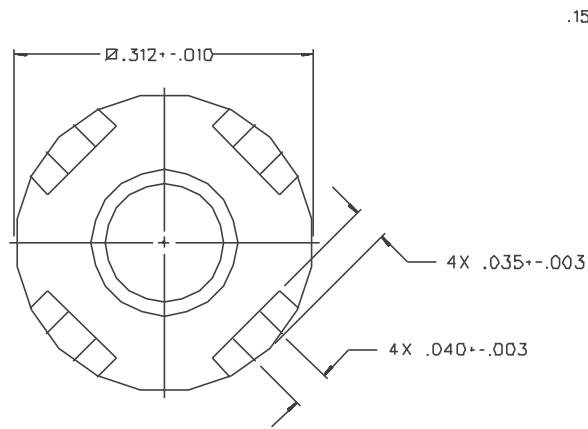
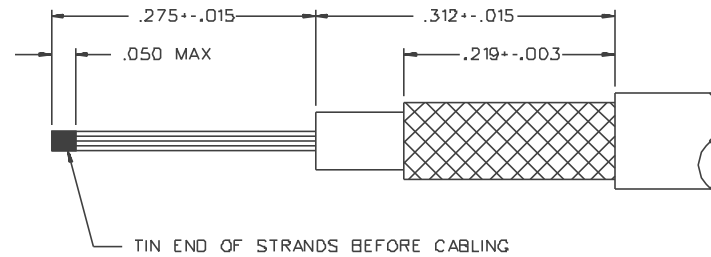


PART NUMBER	ITEM ① BODY	ITEM ② CRIMP SLEEVE
142-0003-201	BRASS GOLD PL .00001 MIN OVER NICKEL PL .00005 MIN OVER COPPER PL .00005 MIN	COPPER GOLD PL .00001 MIN OVER NICKEL PL .00005 MIN OVER COPPER PL .00005 MIN
142-0003-206	BRASS NICKEL PL .0001 MIN OVER COPPER PL .00005 MIN	COPPER NICKEL PL .0001 MIN OVER COPPER PL .00005 MIN

DRAWING NO. C - 142-0003-201/210			
0	REVISIONS		
CHANGED: REVISED AND REDRAWN. WAS "C" SIZE, DATED 11-26-86.			
02	05-16-88	EJ RRF/RJB	05-19-88 ECO 23380
VAX VERSION UPDATE.			
03	08-04-88	EJ RRF/RJB	8-10-88 ECO 23513
VERSION UPDATE			
4	5-10-93	RH	ECO 41659



MOUNTING HOLE LAYOUT



CABLE STRIP DIMENSIONS

CUSTOMER DRAWING

THIS DRAWING TO BE INTERPRETED
PER ANSI Y 14.5M - 1982

"μSTATION"

COMPANY CONFIDENTIAL

NOTES:

- SPECIFICATIONS:
CABLE ACCEPTABILITY: RG 188/U, RG 316/U, RG 161/U
RG 174/U, RG 179/U, RG 187/U
CABLE HEX CRIMP SIZE: .128
CABLE RETENTION: 20 LBS
IMPEDANCE: 50 OHMS

TOLERANCE UNLESS OTHERWISE SPECIFIED		DRAWN BY EJ	DATE 7-31-87	 299 Johnson Ave. P.O. Box 1732 Waseca, MN 56093-0832
DECIMALS .XX	mm	CHECKED BY	DATE	
.XXX		APPROVED BY RRF	DATE 5-16-88	TITLE CABLE TERMINATION STRAIGHT PC MOUNT RG 316
MATL		APPROVED BY RJB	DATE 5-16-88	CODE NO.
FINISH		RELEASE DATE	5-19-88	DRAWING NO. C - 142-0003-201/210
		SCALE 10:1	U/M INCH	SHEET 2 OF 2