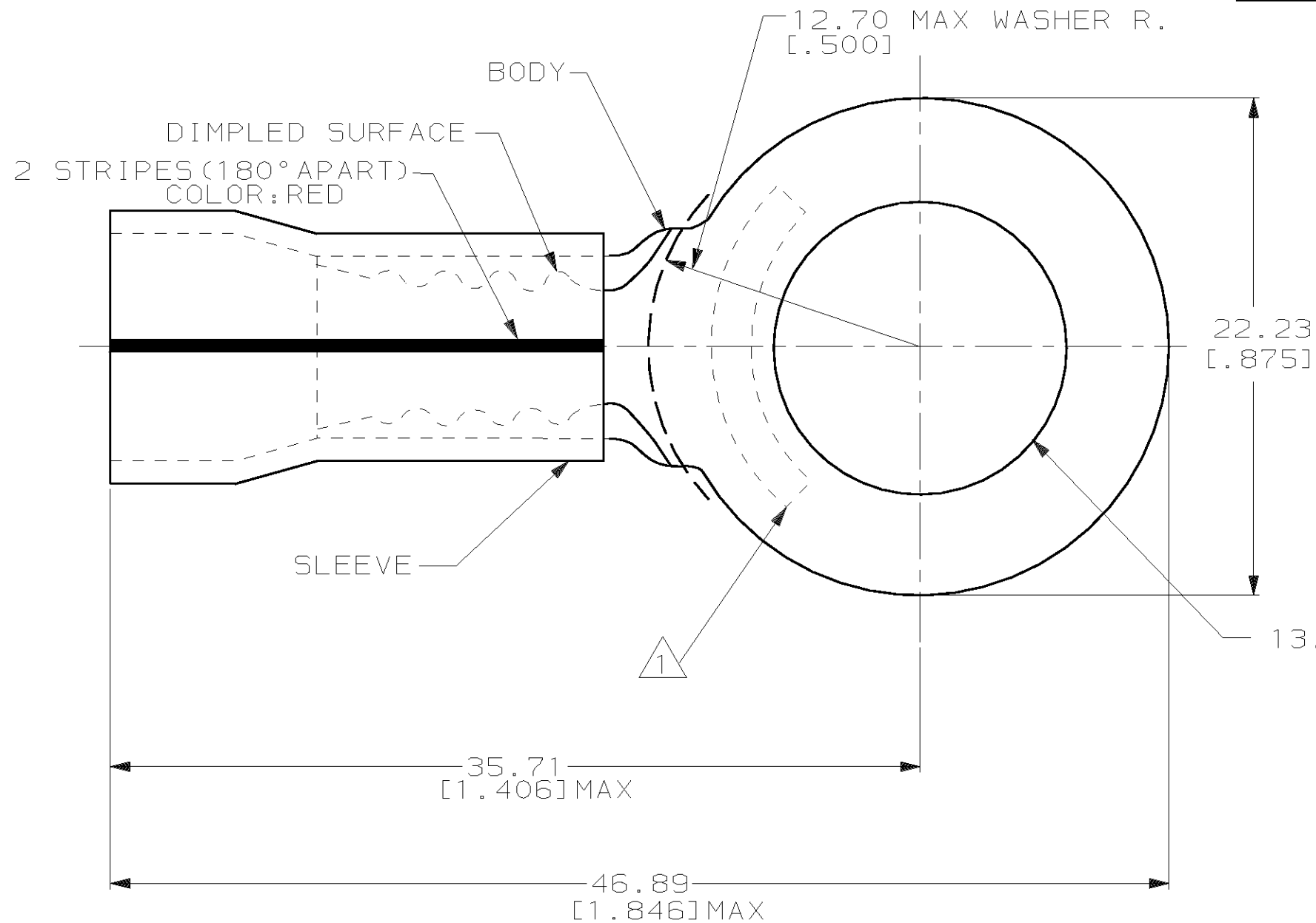


THIS DRAWING IS UNPUBLISHED. RELEASED FOR PUBLICATION, 19  
 © COPYRIGHT 19 BY AMP INCORPORATED. ALL INTERNATIONAL RIGHTS RESERVED.

LOC	DIST	P	F	REVISIONS			DATE	APPD
G	14			ZONE	LTR	DESCRIPTION		
					E	REV PER 0G3A-0612-01	13NOV01	JR TM



**AMP**  
WIRE RANGE

---

8 AWG  
STRANDED

**METRIC**

DIMENSIONS LISTED IN mm [ INCHES ]

- NOTE:
1. STAMP AMP 8\* LOCATE APPROX AS SHOWN
  2. TONGUE MATERIAL THK 1.02±0.08 [.040±.003]
  3. WIRE INSULATION DIA 9.65 [.380] MAX

13.08±0.13 [.515±.005] DIA  
(FOR 1/2 STUD)

<b>AMP INCORPORATED CUSTOMER SERVICE SYSTEMS</b>		MAX RECOMMENDED OPERATING TEMPERATURE: 150°c	DO NOT SCALE PRINT. UNLESS SPECIFIED DIMENSIONS IN mm [INCHES] TOLERANCES ON: 2 PLC DEC ± 0.20 [.008] 3 PLC DEC ± - ANGLES ± -	DR 10-13-93 S.S. GOULDEN	100	LOOSE PC	53945-1
FOR ADDITIONAL PRODUCT INFORMATION OR COPIES OF DRAWINGS AND TECHNICAL DOCUMENTS	PRODUCT INFORMATION CENTER 1-800-522-6752	VOLTAGE RATING: 600 V MAX	MATERIAL COPPER PER ASTM B-152 PVF <sup>2</sup> , COLOR:NATURAL	CHK 10-13-93 R. HERSEY	QTY	PACKAGE TYPE	PART NO
FOR APPLICATION TOOLING INFORMATION	TOOLING ASSISTANCE CENTER 1-800-722-1111	CIRCULAR MIL AREA: 6.64-10.54mm <sup>2</sup> [13,100-20,800] STRANDED	FINISH TIN/LEAD (93-7) PLATE PER ASTM B545	APPD 10-13-93 B. BARE	NAME AMP Incorporated Harrisburg, PA 17105-3608		
FOR ORDER ENTRY	1-800-526-5142	THIS DRAWING IS A CONTROLLED DOCUMENT FOR AMP INCORPORATED. IT IS SUBJECT TO CHANGE AND THE CONTROLLING ENGINEERING ORGANIZATION SHOULD BE CONTACTED FOR THE LATEST REVISION.		APPD 10-13-93 M. ELLIS	TERMINAL, RING TONGUE, PVF <sup>2</sup> , PLASTI-GRIP, WIRE SIZE:8 AWG		
				PRODUCT SPEC NOT AVAILABLE	SIZE	CAGE CODE	DRAWING NO
				APPLICATION SPEC NOT AVAILABLE	B	00779	C-53945
				WEIGHT -	SCALE	NTS	SHEET 1 OF 1