

CUSTOMER TERMINAL	RoHS	LEAD(Pb)-FREE
Sn96%, Ag4%	Yes	Yes

more than you expect



ELECTRICAL SPECIFICATIONS @ 25°C unless otherwise noted:

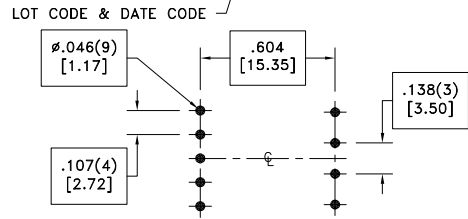
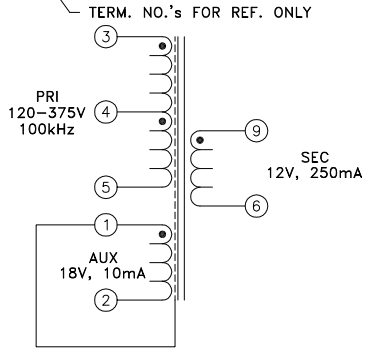
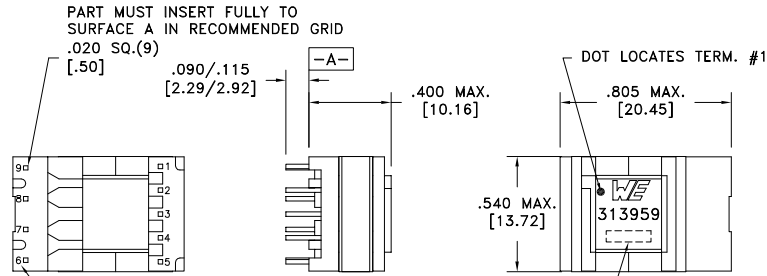
PARAMETER	TEST CONDITIONS	VALUE
D.C. RESISTANCE	3-5 @20°C	5.256 ohms ±10%
D.C. RESISTANCE	1-2 @20°C	0.282 ohms ±10%
D.C. RESISTANCE	9-6 @20°C	0.130 ohms ±10%
INDUCTANCE	3-5 10kHz, 100mVAC, Ls	1.80mH ±10%
SATURATION CURRENT	20% rolloff from initial	290mA
LEAKAGE INDUCTANCE	3-5 tie(1+2, 6+9), 100kHz, 100mVAC, Ls	18.0uH max.
DIELECTRIC	3-9 tie(2+3), 4500VAC, 1 second	-
URNS RATIO	(3-5):(1-2)	5.454:1, ±1%
URNS RATIO	(3-5):(9-6)	8:1, ±1%

GENERAL SPECIFICATIONS:

OPERATING TEMPERATURE RANGE: -40°C to +125°C including temp rise.

Designed to comply with the following requirements as defined by IEC60950-1, EN60950-1, UL60950-1/CSA60950-1 and AS/NZS60950.1:

- Reinforced insulation for a primary circuit at a working voltage of 400VDC.



RECOMMENDED P.C. PATTERN, COMPONENT SIDE

Wire insulation & RoHS status not affected by wire color.
Wire insulation color may vary depending on availability.

REV.	DATE	Packaging Specifications Method: Tray PKG-0730 www.we-online.com/midcom		Tolerances unless otherwise specified: Angles: ±1° Fractions: ±1/64 Decimals: ±.005 [1.3] Footprint: ±.001 [1.03]	DRAWING TITLE TRANSFORMER	PART NO. 750313959
6B	7/16			This drawing is dual dimensioned. Dimensions in brackets are in millimeters.	eiSos p/n: 750313959	
6A	12/13	SEE REVISION SHEET FOR REVISION LEVEL				SPECIFICATION SHEET 1 OF 1

