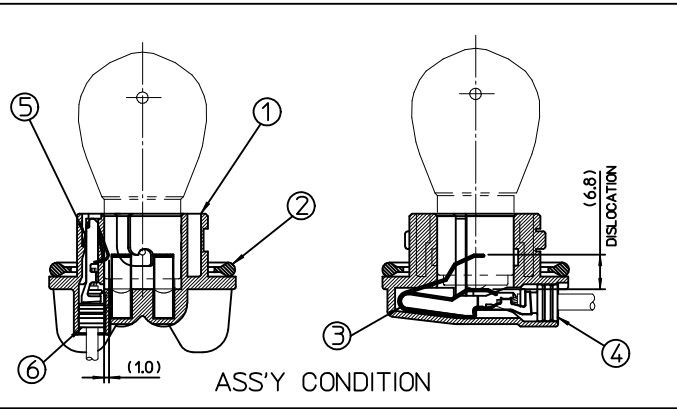
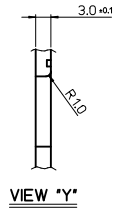
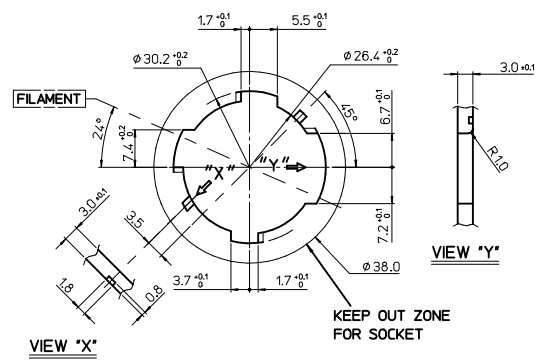
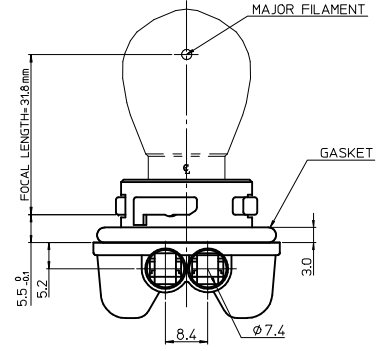
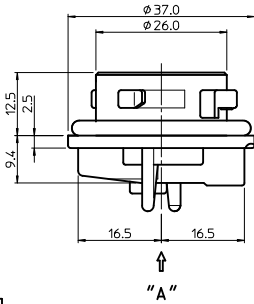
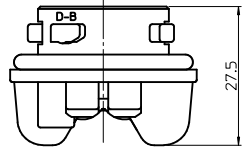
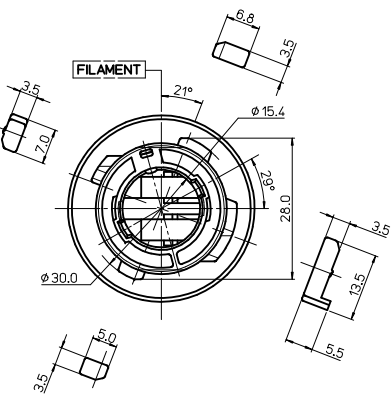
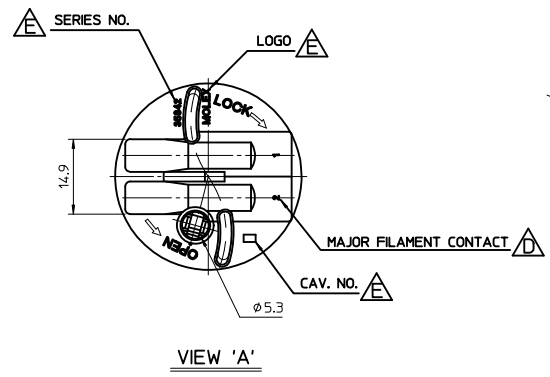


NOTES  
 1. FOCAL LENGTH = 31.8mm  
 2. PRODUCT SPECIFICATION: PS-35842-001  
 3. APPLICABLE BULB CAP: P21/5WBAY15d  
 4. MATES WITH

NO.	DESCRIPTION	MATERIAL	ORDER NO.	REMARK
③	POSITIVE TERMINAL	PHOSPHOR BRONZE	35464-8000	UNPLATED
④	POSITIVE WIRE SEAL	SILICONE	35903-0096	BROWN
⑤	EARTH TERMINAL	PHOSPHOR BRONZE	35465-8000	UNPLATED
⑥	EARTH WIRE SEAL	SILICONE	35903-0106	BLUE

<PART LIST>

NO.	DESCRIPTION	MATERIAL	USAGE	REMARK
①	DOUBLE SOCKET	PA66 M/F	1	B TYPE
②	SEAL GASKET	NBR	1	BLACK



<TABLE 1>

MATERIAL NO.	ORDER NO.	COLOR
358421315	35842-1315	GRAY
358421316	35842-1316	WHITE
358421317	35842-1317	BROWN

MOUNTING INTERFACE  
(MI-1)

REVISED EC NO: KOR2010-0146 DR: WNEOKIM 2010/04/05 CHKD: WYANG 2010/04/05 APPR: YUNSIKIM 2010/04/06	QUALITY SYMBOLS ▽ = 0 ◻ = 0	GENERAL TOLERANCES (UNLESS SPECIFIED)		DIMENSION STYLE MM ONLY		SCALE 1:1		DESIGN UNITS METRIC		THIRD ANGLE PROJECTION	
				mm	INCH	DRAWN BY		DATE		TITLE	
		4 PLACES ± --- ± ---				YSIKKIM		1999/06/08		SEALED PT BULB SOCKET DOUBLE HOUSING ASS'Y (B-TYPE)	
		3 PLACES ± --- ± ---				CHECKED BY		DATE		MOLEX INCORPORATED	
2 PLACES ± 0.15 ± ---				APPROVED BY		DATE		MATERIAL NO.		SHEET NO.	
1 PLACE ± 0.25 ± ---				CWLEE		1999/06/09		SEE TABLE 1		SD-35842-002	
ANGULAR ± 2 °				DRAFT WHERE APPLICABLE MUST REMAIN WITHIN DIMENSIONS		SIZE A3		THIS DRAWING CONTAINS INFORMATION THAT IS PROPRIETARY TO MOLEX INCORPORATED AND SHOULD NOT BE USED WITHOUT WRITTEN PERMISSION			