

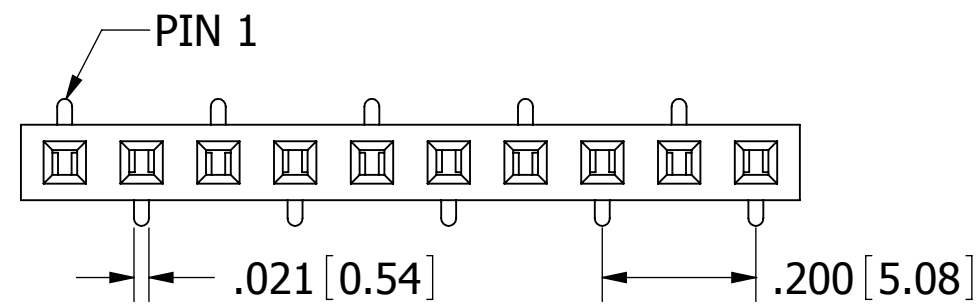
POSITIONS/ CONTACTS	A		B	
	INCH	MM	INCH	MM
02/02	0.100	2.54	0.224	5.68
03/03	0.200	5.08	0.324	8.22
04/04	0.300	7.62	0.424	10.76
05/05	0.400	10.16	0.524	13.30
06/06	0.500	12.70	0.624	15.84
07/07	0.600	15.24	0.724	18.38
08/08	0.700	17.78	0.824	20.92
09/09	0.800	20.32	0.924	23.46
10/10	0.900	22.86	1.024	26.00
11/11	1.000	25.40	1.124	28.54
12/12	1.100	27.94	1.224	31.08
13/13	1.200	30.48	1.324	33.62
14/14	1.300	33.02	1.424	36.16
15/15	1.400	35.56	1.524	38.70
16/16	1.500	38.10	1.624	41.24
17/17	1.600	40.64	1.724	43.78
18/18	1.700	43.18	1.824	46.32
19/19	1.800	45.72	1.924	48.86
20/20	1.900	48.26	2.024	51.40
21/21	2.000	50.80	2.124	53.94
22/22	2.100	53.34	2.224	56.48
23/23	2.200	55.88	2.324	59.02
24/24	2.300	58.42	2.424	61.56
25/25	2.400	60.96	2.524	64.10
26/26	2.500	63.50	2.624	66.64
27/27	2.600	66.04	2.724	69.18
28/28	2.700	68.58	2.824	71.72
29/29	2.800	71.12	2.924	74.26
30/30	2.900	73.66	3.024	76.80
31/31	3.000	76.20	3.124	79.34
32/32	3.100	78.74	3.224	81.88
33/33	3.200	81.28	3.324	84.42
34/34	3.300	83.82	3.424	86.96
35/35	3.400	86.36	3.524	89.50
36/36	3.500	88.90	3.624	92.04
37/37	3.600	91.44	3.724	94.58
38/38	3.700	93.98	3.824	97.12
39/39	3.800	96.52	3.924	99.66
40/40	3.900	99.06	4.024	102.20

PART NUMBER CODING
SFM850-NPPC-S__-S_-BK

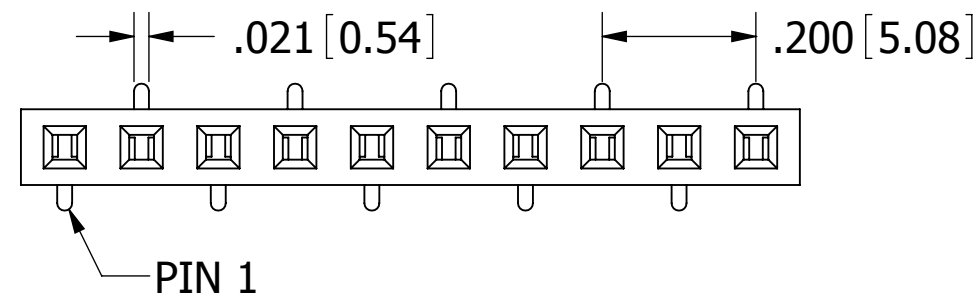
MOUNTING STYLES

- C - SURFACE MOUNT, SINGLE ROW
PIN 1 (STANDARD)
- D - SURFACE MOUNT, SINGLE ROW
PIN 1 (OPPOSITE BEND)

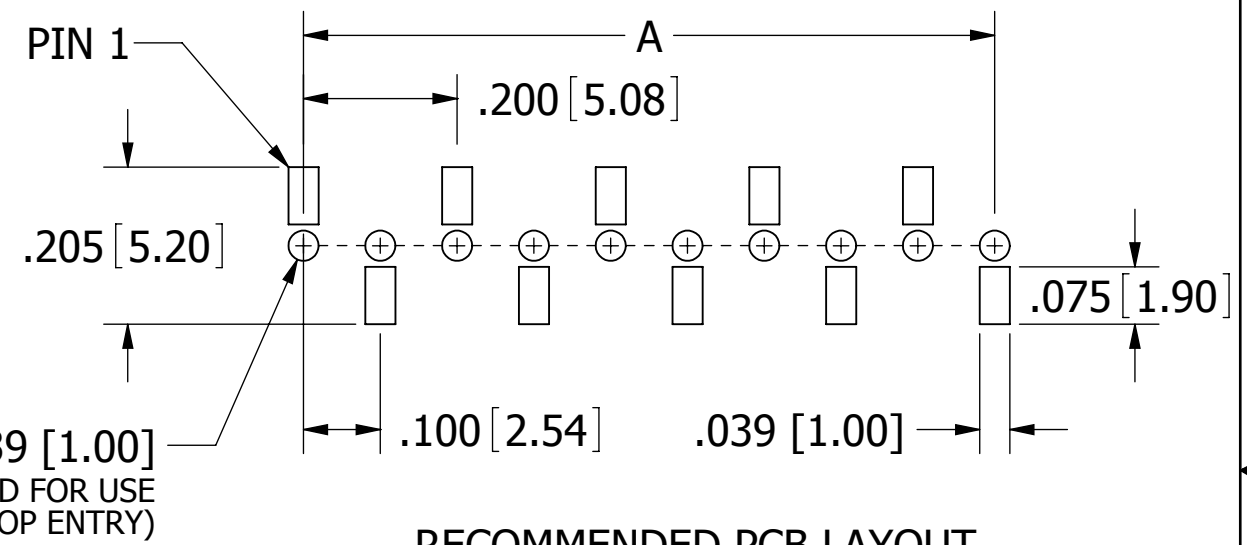
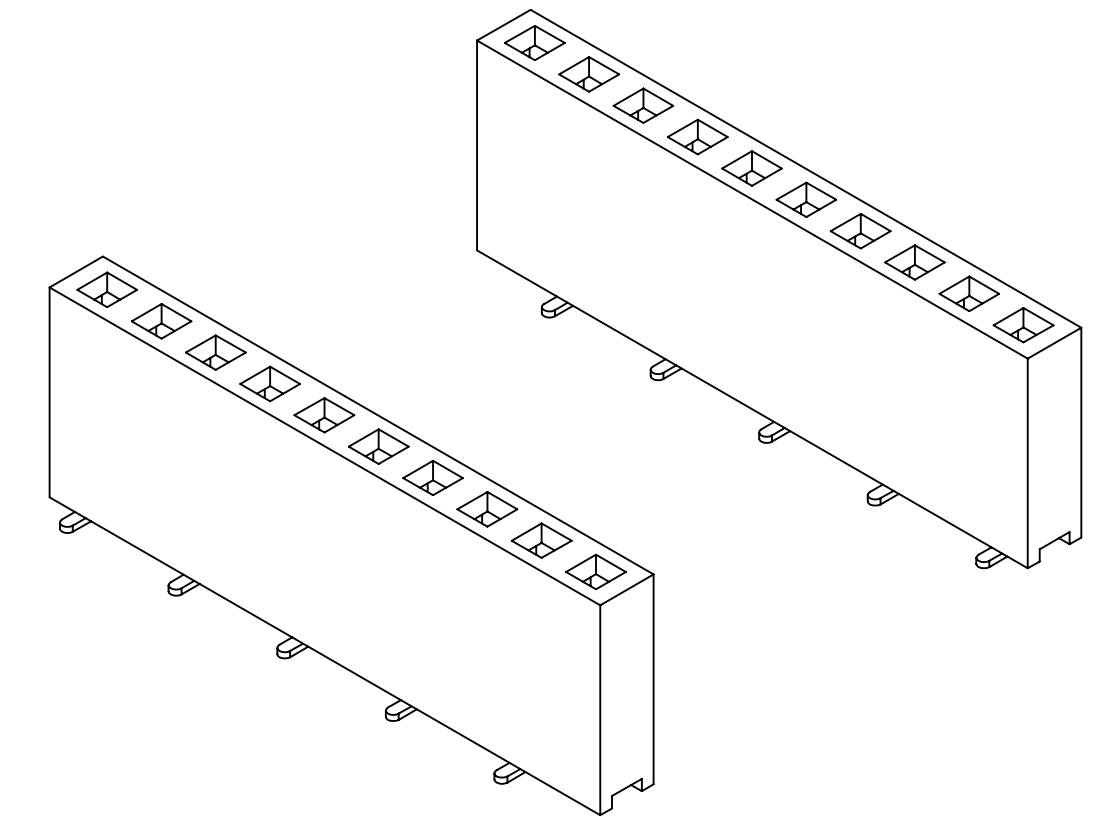
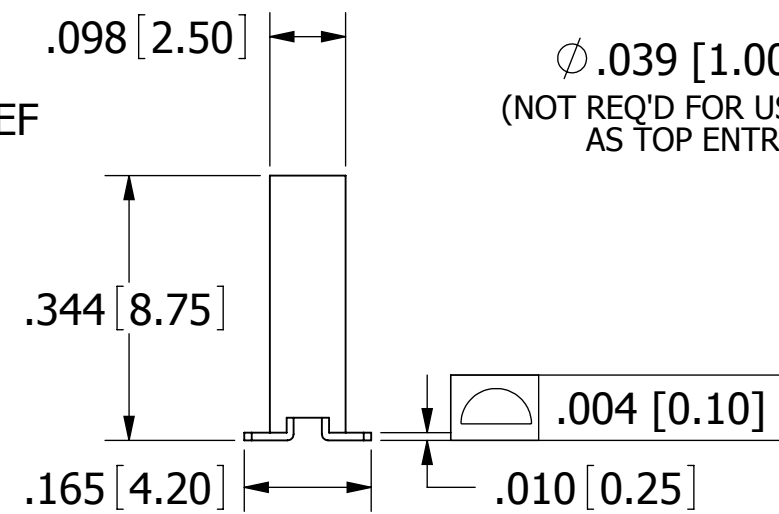
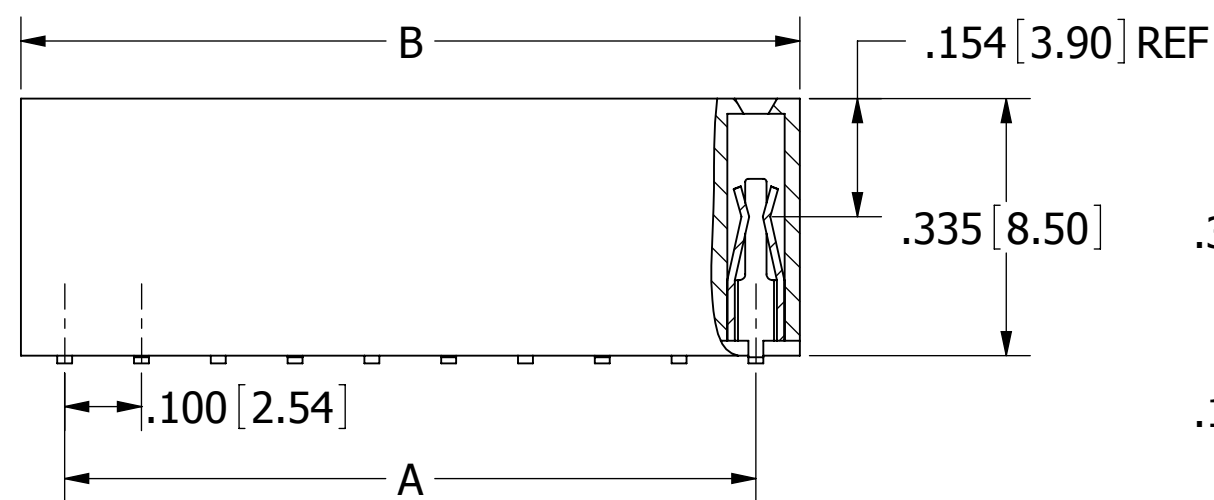
NUMBER OF POSITIONS
 (CONTACTS PER ROW, 2 THRU 40)



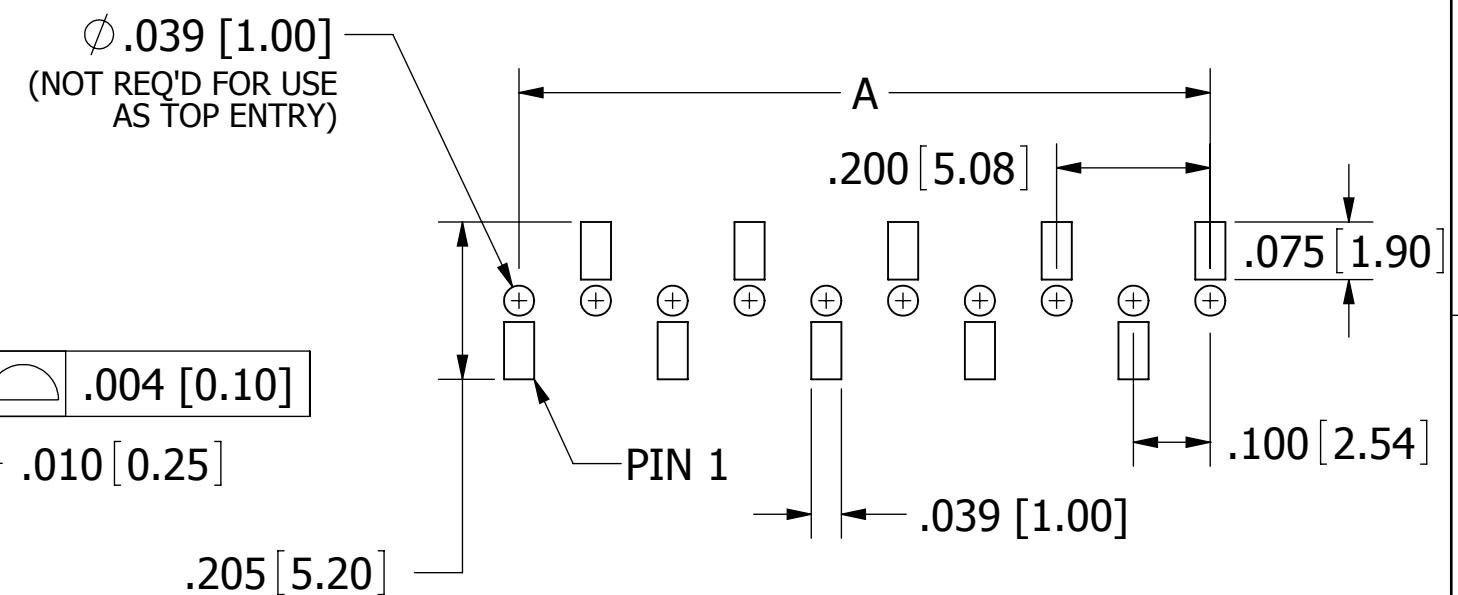
SFM850-NPPC-S__-SC-BK
(STANDARD)



SFM850-NPPC-S__-SD-BK
(OPPOSITE BEND, APPLICABLE ON EVEN PIN COUNTS)



RECOMMENDED PCB LAYOUT
 SFM850-NPPC-S__-SC-BK



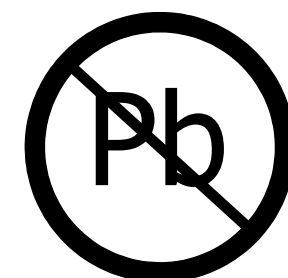
RECOMMENDED PCB LAYOUT
 SFM850-NPPC-S__-SD-BK

NOTES:

- INSULATOR MATERIAL: NYLON 6T, UL 94V-0, BLACK.
- CONTACT MATERIAL: PHOSPHOR BRONZE.
- CONTACT PLATING: .000030" ~ .000050" NICKEL UNDERPLATE, GOLD FLASH OVERALL.
- CURRENT RATING: 3 AMPS PER CONTACT.
- INSULATOR RESISTANCE: 5000 MEGOHMS MIN.
- CONTACT RESISTANCE: 20 MILLIOHMS MAX.
- DIELECTRIC WITHSTANDING: 1000 V AC.
- OPERATING TEMPERATURE: -40° C TO +105° C.
- PROCESSING TEMP.: 230° C FOR 60 SECONDS MAX.
(260° C FOR 10 SECONDS)

(INDICATED TEMPERATURE AND TIME IS FOR COMPONENT INSULATOR. HIGHER PROCESSING TEMPERATURES MAY BE USED, PROVIDED HEAT IS APPLIED FROM BACK SIDE OF PCB, AND INSULATOR DOES NOT EXCEED INDICATED TEMPERATURE AND TIME.)

- FOR TOP/BOTTOM ENTRY.
- CONSULT FACTORY FOR THE MATE IF BEING USED AS BOTTOM ENTRY.



RoHS COMPLIANT

REVISIONS				
REV.	ECO. NO	DESCRIPTION	DATE	BY
A	2399	INITIAL RELEASE	07/15/2011	GC

UNLESS OTHERWISE SPECIFIED: DIMENSIONS ARE IN INCHES [MM]	DRAWN	DATE	NAME	
		07/15/11	GC	
TOLERANCES: .XX= ± .012 [0.30] .XXX= ± .008 [0.20] .XXXX= ± .0040 [0.100]	THE INFORMATION HEREIN CONTAINS PROPRIETARY INFORMATION OF SULLINS ELECTRONICS AND IS NOT TO BE REPRODUCED, USED OR DISCLOSED TO OTHERS FOR ANY PURPOSE EXCEPT AS SPECIFICALLY AUTHORIZED IN WRITING BY AN OFFICER OF SULLINS ELECTRONICS.			TITLE
	INTERPRET DIMENSIONS AND TOLERANCING PER: ASME Y14.5M-2009			HEADER FEMALE, .100 CC, T/B ENTRY
PART NUMBER				REV
SFM850-NPPC-S__-S_-BK				A
SIZE	CAGE CODE	DWG. NO.	SCALE: 4:1	
C	54453	11810	SHEET 1 OF 1	