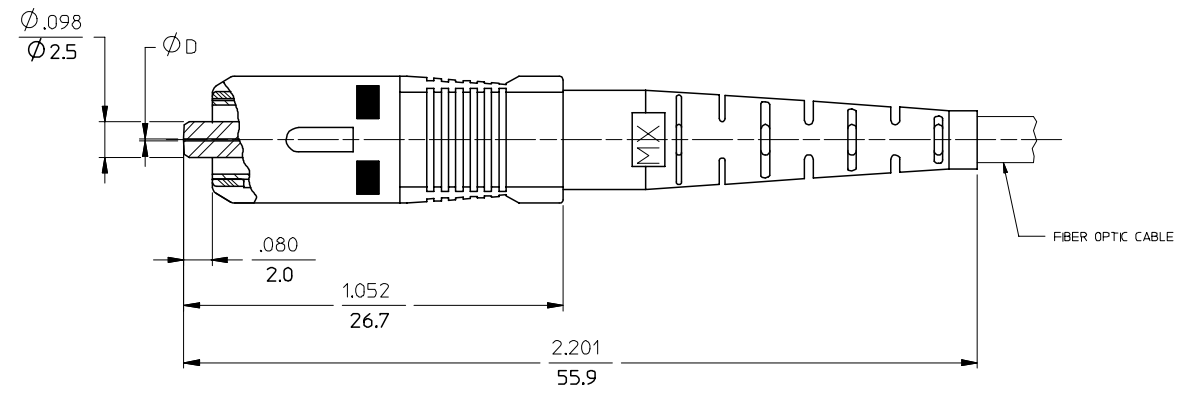
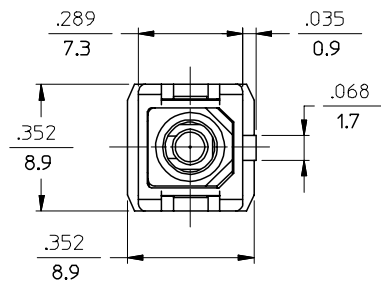


13 12 11 10 9 8 7 6 5 4 3 2 1

J  
I  
H  
G  
F  
E  
D  
C  
B  
A



NOTES:  
 1. ALL DIMENSIONS ARE FOR REFERENCE ONLY.  
 \*2. P/NS 106032-5020, 106032-0140, 106032-5310, 106032-5990 AND 106032-0910 ARE BULK PACKED IN QUANTITIES OF 100 pcs.

ENTER DESCRIPTION EC NO: MF2007-0445 DRAWN BY: RPACIFICI CHKD: RPACIFICI APPR: JGUMIN REVISIONS: 2007/01/12, 2007/01/15	QUALITY SYMBOLS ▽=0 ▽=0	GENERAL TOLERANCES (UNLESS SPECIFIED)		DIMENSION STYLE IN/MM	SCALE 4:1	DESIGN UNITS INCH	THIRD ANGLE PROJECTION		
		4 PLACES ± --- ± --- 3 PLACES ± --- ± --- 2 PLACES ± --- ± --- 1 PLACE ± --- ± ---	mm INCH	DRAWN BY: RPACIFICI DATE: 2005/12/22	TITLE: SC CONNECTOR (TUNABLE)				
		ANGULAR ±1/2°		CHECKED BY: _____ DATE: _____	APPROVED BY: _____ DATE: _____				
		DRAFT WHERE APPLICABLE MUST REMAIN WITHIN DIMENSIONS		MATERIAL NO. SEE TABLE SIZE: C	DOCUMENT NO. SD-106032-XXX0	SHEET NO. 1 OF 3			

12 11 10 9 8 7 6 5 4 3 2 1

	10	9	8	7	6	5	4	3	2	1				
	CONNECTOR P/N	∅ (Hm)	BOOT COLOR	HOUSING COLOR	CONNECTOR TYPE	CABLE (mm)		CONNECTOR P/N	∅ (Hm)	BOOT COLOR	HOUSING COLOR	CONNECTOR TYPE	CABLE (mm)	
F	106032-0000	127	BLUE	BLUE	MULTIMODE	3		106032-3000	128	BLUE	BLUE	MULTIMODE	3	
	106032-0900					2.0 & 1.6 DUPLEX	106032-3900	2.0 & 1.6 DUPLEX						
	106032-0100					1.6 SIMPLEX	106032-3100	1.6 SIMPLEX						
	106032-0050					3	106032-3060	3						
106032-0950	WHITE		BEIGE	2.0 & 1.6 DUPLEX		106032-3960	2.0 & 1.6 DUPLEX							
106032-0150				1.6 SIMPLEX		106032-3160	1.6 SIMPLEX							
106032-0060				3		106032-3050	3							
106032-0910*				2.0 & 1.6 DUPLEX		106032-3950	2.0 & 1.6 DUPLEX							
106032-0960	BEIGE		BEIGE	MULTIMODE		1.6 SIMPLEX	106032-3150	1.6 SIMPLEX						
106032-0140*						3	106032-3080	3						
106032-0160						2.0 & 1.6 DUPLEX	106032-3980	2.0 & 1.6 DUPLEX						
106032-0080						1.6 SIMPLEX	106032-3180	1.6 SIMPLEX						
E	106032-0980	125.5	RED	RED	SINGLE MODE	2.0 & 1.6 DUPLEX		106032-3070	125.5	RED	RED	SINGLE MODE	3	
	106032-0180					1.6 SIMPLEX	106032-3970	2.0 & 1.6 DUPLEX						
	106032-0070					3	106032-3170	1.6 SIMPLEX						
	106032-0970					2.0 & 1.6 DUPLEX	106032-2000	3						
106032-0170	BLACK		BLACK	MULTIMODE		1.6 SIMPLEX	106032-2900	2.0 & 1.6 DUPLEX						
106032-2000						3	106032-2100	1.6 SIMPLEX						
106032-2900						2.0 & 1.6 DUPLEX	106032-2050	3						
106032-2100						1.6 SIMPLEX	106032-2950	2.0 & 1.6 DUPLEX						
C	106032-2950	125.5	WHITE	BLUE	SINGLE MODE	1.6 SIMPLEX		106032-2150	125.5	RED	RED	SINGLE MODE	3	
	106032-2150					1.6 SIMPLEX	106032-2080	3						
	106032-2080					2.0 & 1.6 DUPLEX	106032-2980	2.0 & 1.6 DUPLEX						
	106032-2980					1.6 SIMPLEX	106032-2180	1.6 SIMPLEX						
106032-2180	RED		RED	MULTIMODE		3	106032-2070	3						
106032-2070						2.0 & 1.6 DUPLEX	106032-2970	2.0 & 1.6 DUPLEX						
106032-2970						1.6 SIMPLEX	106032-2170	1.6 SIMPLEX						
106032-2170						3								
D	106032-0080	RED	RED	MULTIMODE	MULTIMODE	2.0 & 1.6 DUPLEX		106032-3970	125.5	BLACK	BLACK	SINGLE MODE	2.0 & 1.6 DUPLEX	
	106032-0980					1.6 SIMPLEX	106032-3170	1.6 SIMPLEX						
	106032-0180					3								
	106032-0070					2.0 & 1.6 DUPLEX								
E	106032-0970	BLACK	BLACK	MULTIMODE	MULTIMODE	2.0 & 1.6 DUPLEX		106032-3080	125.5	RED	RED	SINGLE MODE	3	
	106032-0170					1.6 SIMPLEX	106032-3980	2.0 & 1.6 DUPLEX						
	106032-2000					3	106032-3180	1.6 SIMPLEX						
	106032-2900					2.0 & 1.6 DUPLEX	106032-3070	3						
F	106032-2100	WHITE	BLUE	SINGLE MODE	SINGLE MODE	1.6 SIMPLEX		106032-3970	125.5	BLACK	BLACK	SINGLE MODE	2.0 & 1.6 DUPLEX	
	106032-2050					3	106032-3170	1.6 SIMPLEX						
	106032-2950					2.0 & 1.6 DUPLEX								
	106032-2150					1.6 SIMPLEX								

ENTER DESCRIPTION EC NO: MF2007-0445 DRWNGKPEVZNER 2007/01/12 CHKD: 2007/01/12 APPR: IGUMIN 2007/01/15 REV B1	QUALITY SYMBOLS ▽=0 ▽=0	GENERAL TOLERANCES (UNLESS SPECIFIED) <table border="1"> <tr> <th></th> <th>mm</th> <th>INCH</th> </tr> <tr> <td>4 PLACES</td> <td>± ---</td> <td>± ---</td> </tr> <tr> <td>3 PLACES</td> <td>± ---</td> <td>± ---</td> </tr> <tr> <td>2 PLACES</td> <td>± ---</td> <td>± ---</td> </tr> <tr> <td>1 PLACE</td> <td>± ---</td> <td>± ---</td> </tr> </table>		mm	INCH	4 PLACES	± ---	± ---	3 PLACES	± ---	± ---	2 PLACES	± ---	± ---	1 PLACE	± ---	± ---	DIMENSION STYLE IN/MM DRAWN BY: RPACIFICI DATE: 2005/12/22 CHECKED BY: _____ DATE: _____ APPROVED BY: _____ DATE: _____	SCALE 4:1 DESIGN UNITS INCH THIRD ANGLE PROJECTION	TITLE SC CONNECTOR (TUNABLE)
		mm	INCH																	
	4 PLACES	± ---	± ---																	
	3 PLACES	± ---	± ---																	
2 PLACES	± ---	± ---																		
1 PLACE	± ---	± ---																		
		MATERIAL NO. SEE TABLE DOCUMENT NO. SD-106032-XXX0		SHEET NO. 2 OF 3																
		DRAFT WHERE APPLICABLE MUST REMAIN WITHIN DIMENSIONS																		
		THIS DRAWING CONTAINS INFORMATION THAT IS PROPRIETARY TO MOLEX INCORPORATED AND SHOULD NOT BE USED WITHOUT WRITTEN PERMISSION																		

10	9	8	7	6	5	4	3	2	1		
CONNECTOR P/N	Ø (Mm)	BOOT COLOR	HOUSING COLOR	CONNECTOR TYPE	CABLE (mm)	CONNECTOR P/N	Ø (Mm)	BOOT COLOR	HOUSING COLOR	CONNECTOR TYPE	CABLE (mm)
106032-4000	125	YELLOW	BLUE	SINGLE MODE	3	106032-6000	125.5	YELLOW	BLUE	SINGLE MODE	3
106032-4900					2.0 & 1.6 DUPLEX	106032-6900					2.0 & 1.6 DUPLEX
106032-4100					1.6 SIMPLEX	106032-6100					1.6 SIMPLEX
106032-4050					3	106032-7000					3
106032-4950					2.0 & 1.6 DUPLEX	106032-7900					2.0 & 1.6 DUPLEX
106032-4150					1.6 SIMPLEX	106032-7100					1.6 SIMPLEX
106032-4080		WHITE	RED		3	106032-7050	3				
106032-4980					2.0 & 1.6 DUPLEX	106032-7950	2.0 & 1.6 DUPLEX				
106032-4180					1.6 SIMPLEX	106032-7150	1.6 SIMPLEX				
106032-4070					3	106032-7080	3				
106032-4970					2.0 & 1.6 DUPLEX	106032-7980	2.0 & 1.6 DUPLEX				
106032-4170					1.6 SIMPLEX	106032-7180	1.6 SIMPLEX				
106032-5000	126	YELLOW	BLUE	3	106032-7070	127	WHITE	BLACK	SINGLE MODE	3	
106032-5020*				2.4	106032-7970					2.0 & 1.6 DUPLEX	
106032-5300				2.0 & 1.6 DUPLEX	106032-7170					1.6 SIMPLEX	
106032-5310*				1.6 SIMPLEX	106032-7070					3	
106032-5900				3	106032-7970					2.0 & 1.6 DUPLEX	
106032-5990*				1.6 SIMPLEX	106032-7170					1.6 SIMPLEX	
106032-5100		WHITE	RED	2.0 & 1.6 DUPLEX	106032-7070	3					
106032-5050				1.6 SIMPLEX	106032-7970	2.0 & 1.6 DUPLEX					
106032-5950				2.0 & 1.6 DUPLEX	106032-7170	1.6 SIMPLEX					
106032-5150				1.6 SIMPLEX	106032-7070	3					
106032-5080				3	106032-7970	2.0 & 1.6 DUPLEX					
106032-5980				1.6 SIMPLEX	106032-7170	1.6 SIMPLEX					
106032-5180	BLACK	BLACK	2.0 & 1.6 DUPLEX	106032-7070	3						
106032-5070			1.6 SIMPLEX	106032-7970	2.0 & 1.6 DUPLEX						
106032-5970			2.0 & 1.6 DUPLEX	106032-7170	1.6 SIMPLEX						
106032-5170			1.6 SIMPLEX	106032-7070	3						
106032-5070			3	106032-7970	2.0 & 1.6 DUPLEX						
106032-5970			1.6 SIMPLEX	106032-7170	1.6 SIMPLEX						

ENTER DESCRIPTION EC NO: MF2007-0445 DRWNGKPEVNER 2007/01/12 CHKD: 2007/01/12 APPR: IGUMIN 2007/01/15	DESCRIPTION REV	QUALITY SYMBOLS ▽=0 ▽=0	GENERAL TOLERANCES (UNLESS SPECIFIED)		DIMENSION STYLE IN/MM		SCALE 4:1	DESIGN UNITS INCH	THIRD ANGLE PROJECTION
			4 PLACES ± --- ± ---	DRAWN BY RPACIFICI	DATE 2005/12/22	TITLE SC CONNECTOR (TUNABLE)			
			3 PLACES ± --- ± ---	CHECKED BY	DATE				
			2 PLACES ± --- ± ---	APPROVED BY		DATE	MATERIAL NO. SEE TABLE		
1 PLACE ± --- ± ---	ANGULAR ±1/2°		THIS DRAWING CONTAINS INFORMATION THAT IS PROPRIETARY TO MOLEX INCORPORATED AND SHOULD NOT BE USED WITHOUT WRITTEN PERMISSION						