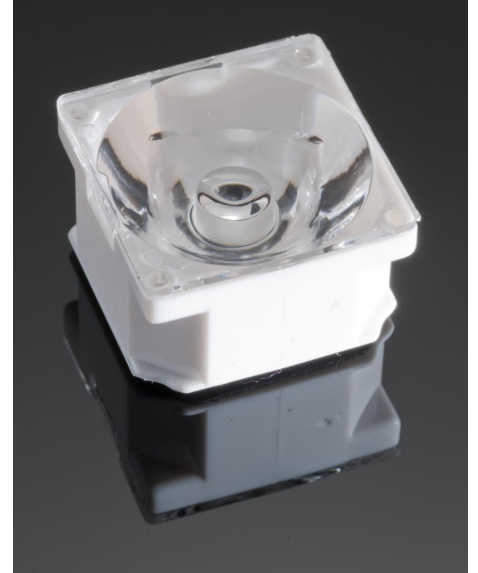


## DETAILS

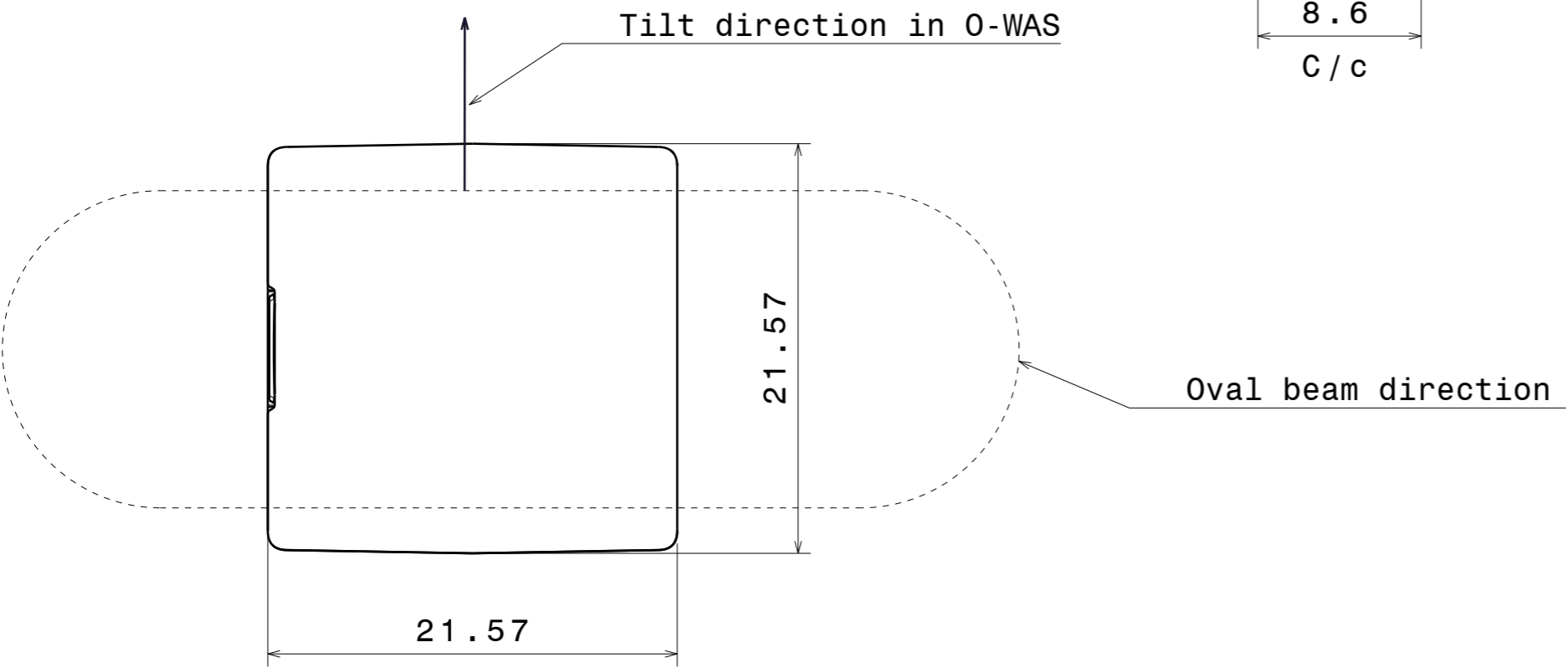
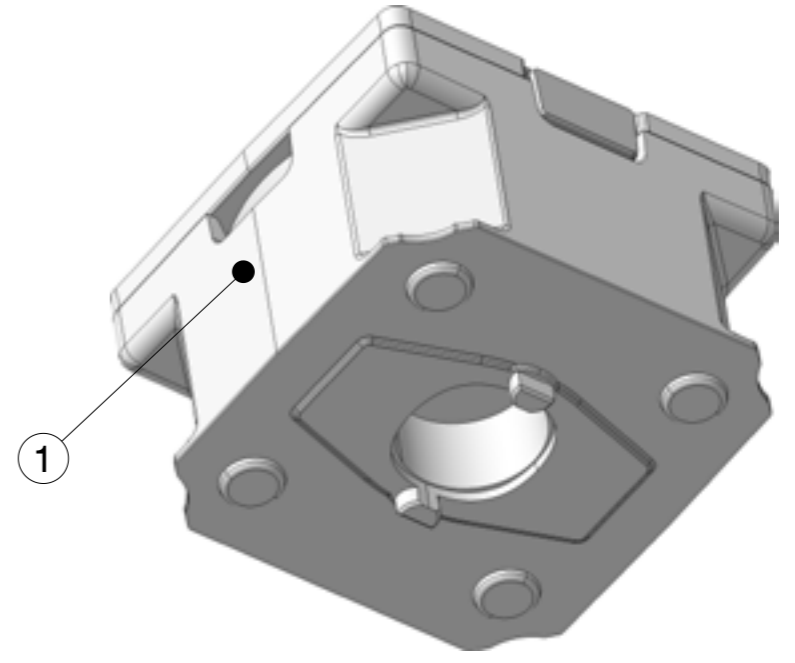
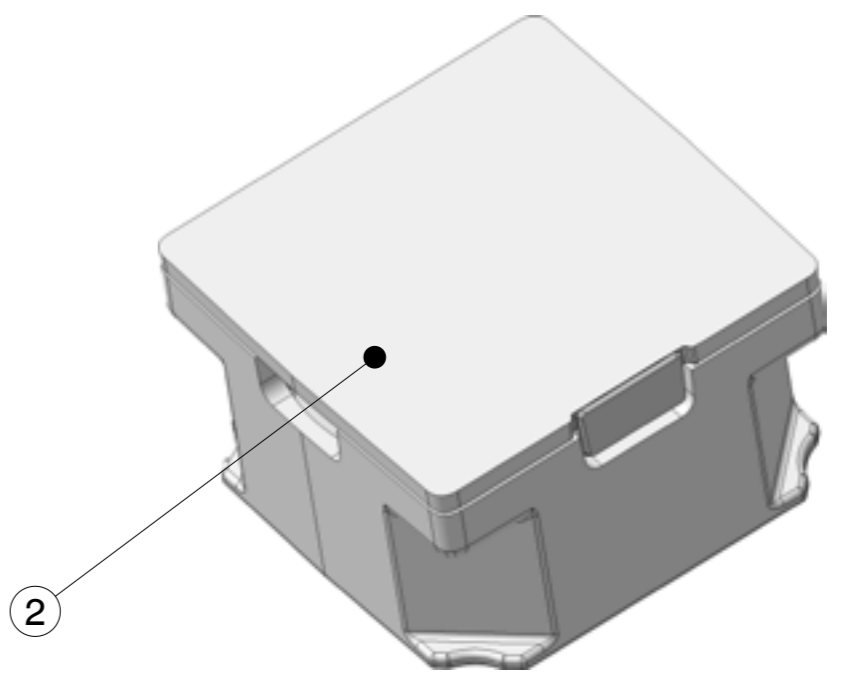
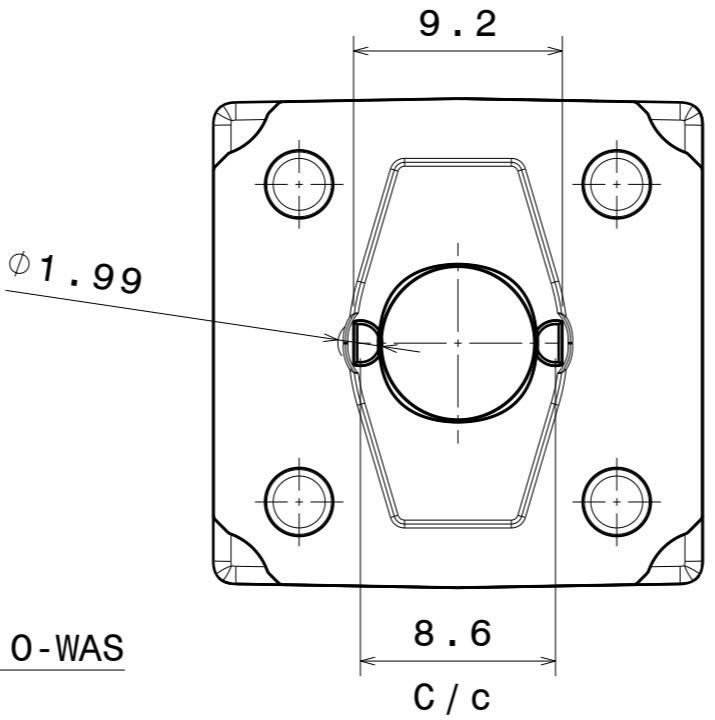
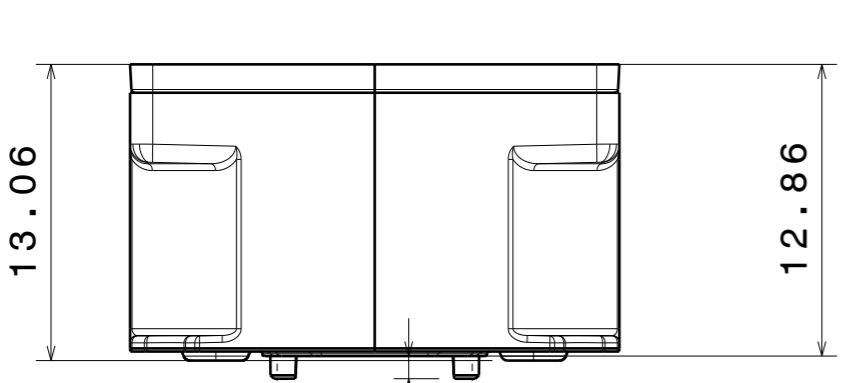
<b>Product Number</b>	CP12631_LAURA-RS-PG
<b>Family</b>	Laura
<b>Type</b>	Assembly
<b>Color</b>	white
<b>Diameter</b>	21,6 x 21,6 mm
<b>Height</b>	13,1 mm
<b>Style</b>	square
<b>Optic Material</b>	PC,PMMA
<b>Holder Material</b>	
<b>Fastening</b>	glue, pin
<b>Status</b>	production ready
<b>ROHS Compliant</b>	Yes
<b>Date Updated</b>	16/12/2016



## OPTICAL PROPERTIES

LED	Viewing	Light	Effi-	cd/lm	Connector
	Angle	Beam	ciency		
XP-G	10 deg	Real spot	92 %	20.300	-
LUXEON Rebel	7 deg	Real spot	93 %	34.000	-
LUXEON A	11 deg	Real spot	93 %	17.800	-
NVSxx19A	10 deg	Real spot	92 %	16.800	-
Oslon Square EC	9 deg	Real spot	91 %	21.000	-

H G F E D C B A



INDEX	PART NO	DESCRIPTION
1	C12467	LAURA-HLD-PIN
2	-	LAURA-Lens

**This drawing applies to:**

CP12631_LAURA-RS-PG
CP12632_LAURA-D-PG
CP12633_LAURA-M-PG
CP12634_LAURA-SS-PG
CP12635_LAURA-O-PG
CP12636_LAURA-W-PG
CP12637_LAURA-WW-PG
CP13308_LAURA-O-WAS-PG
CP13311_LAURA-SS-WAS-PG

Tolerances if not otherwise shown  
According to DIN ISO 2768-1  
Linear measures:  
Up to 30mm class M, otherwise class C.  
According to DIN ISO 2768-2  
Form and position: class L

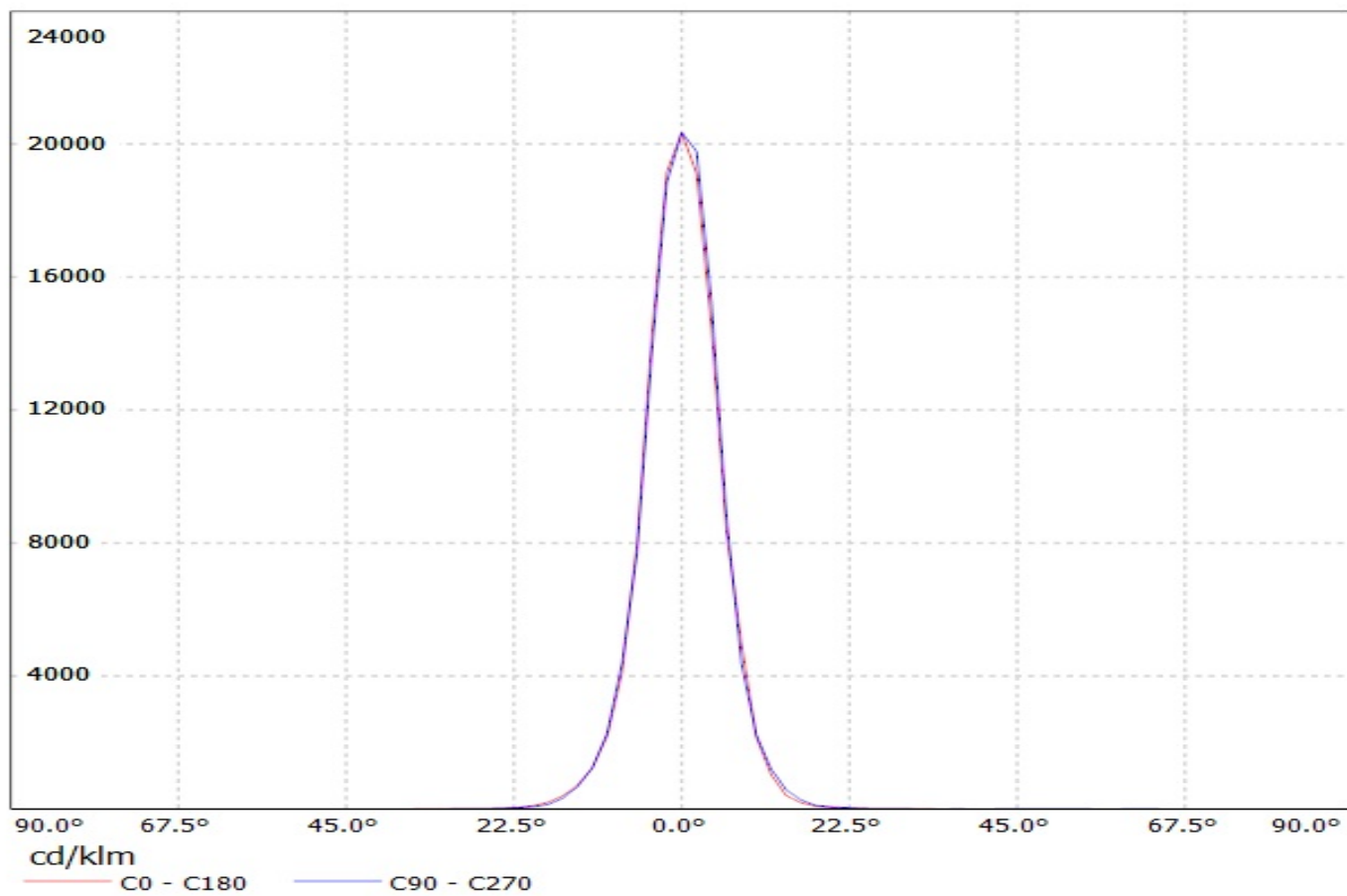
THIRD ANGLE PROJECTION:

This drawing is the property of LEDiL Oy. It may not be reproduced, copied or communicated without a written agreement with LEDiL Oy."

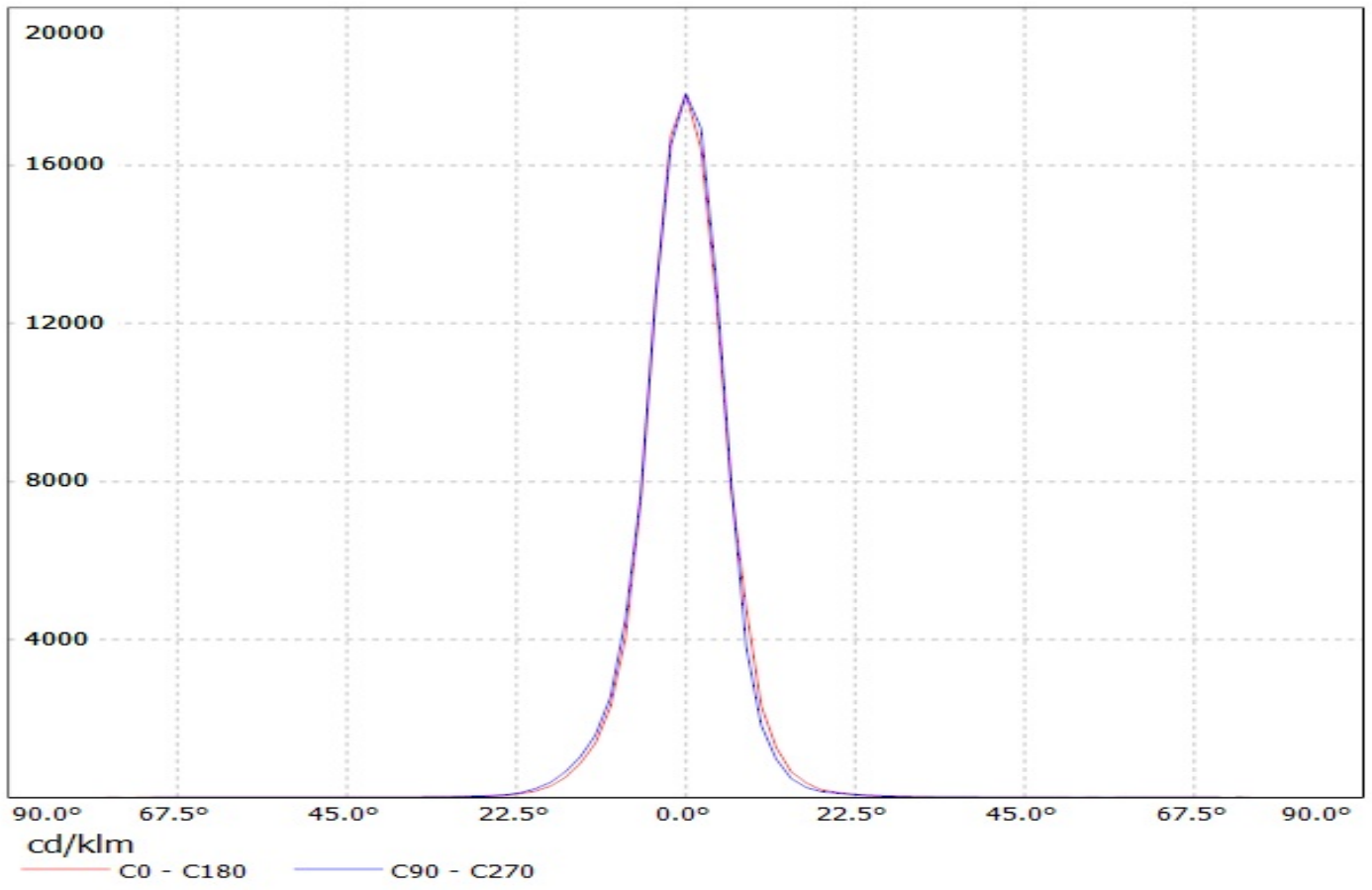
	Ledil Oy Salorankatu 10 FIN 24240 SALO Finland		
	DRAWING TITLE <b>Datasheet_LAURA-PG</b>		
SIZE	PART NUMBER		
<b>A3</b>	<b>Assembly</b>		
SCALE	3:1	WEIGHT (g)	SHEET 1/1

H G B A

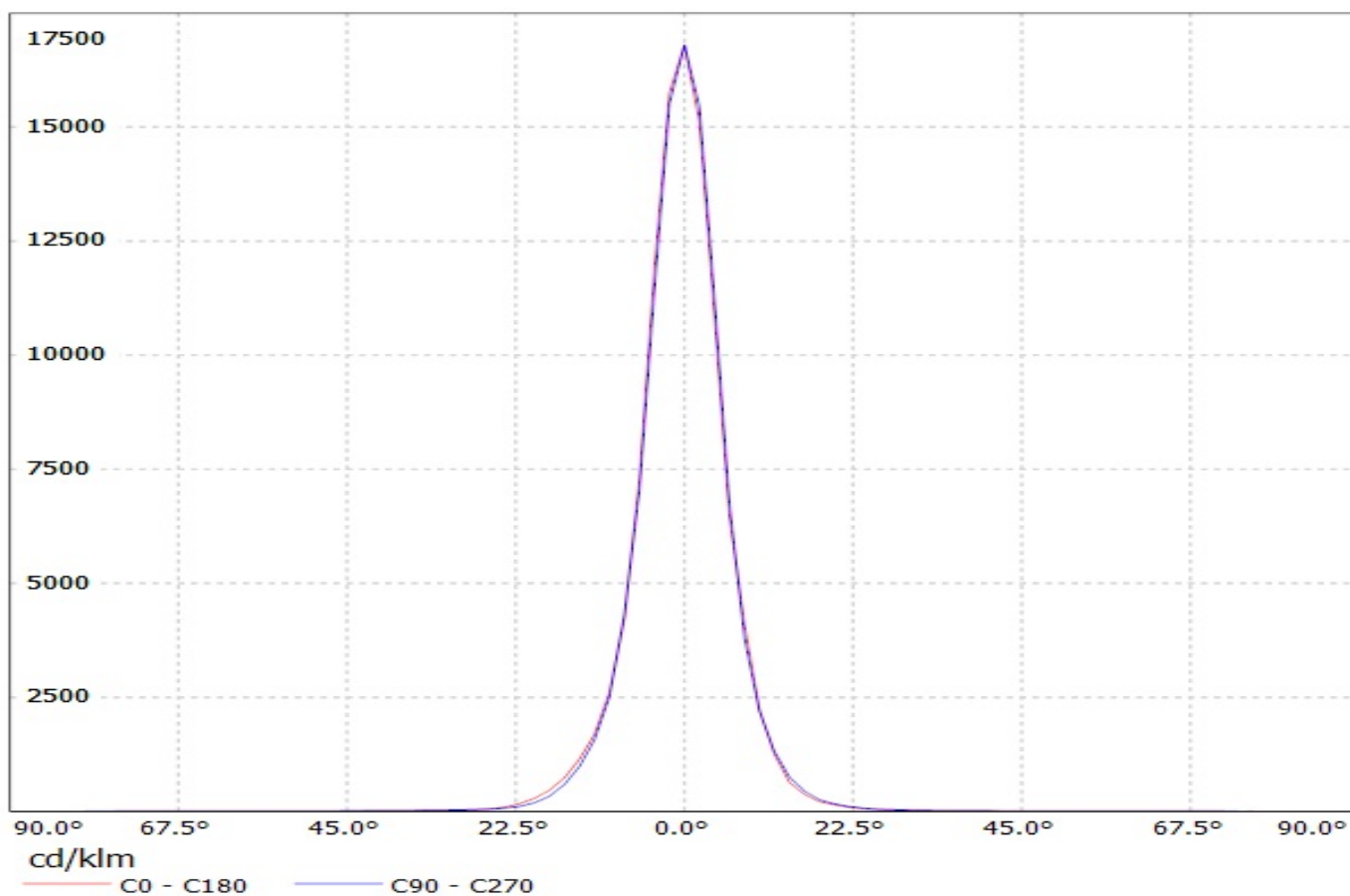
Luminaire: Ledil Oy CP12631\_LAURA-RS-PG (Cree XP-G 89lm @ 250mA) Efficiency=92%  
Lamps: 1 x Cree XP-G 89lm @ 250mA



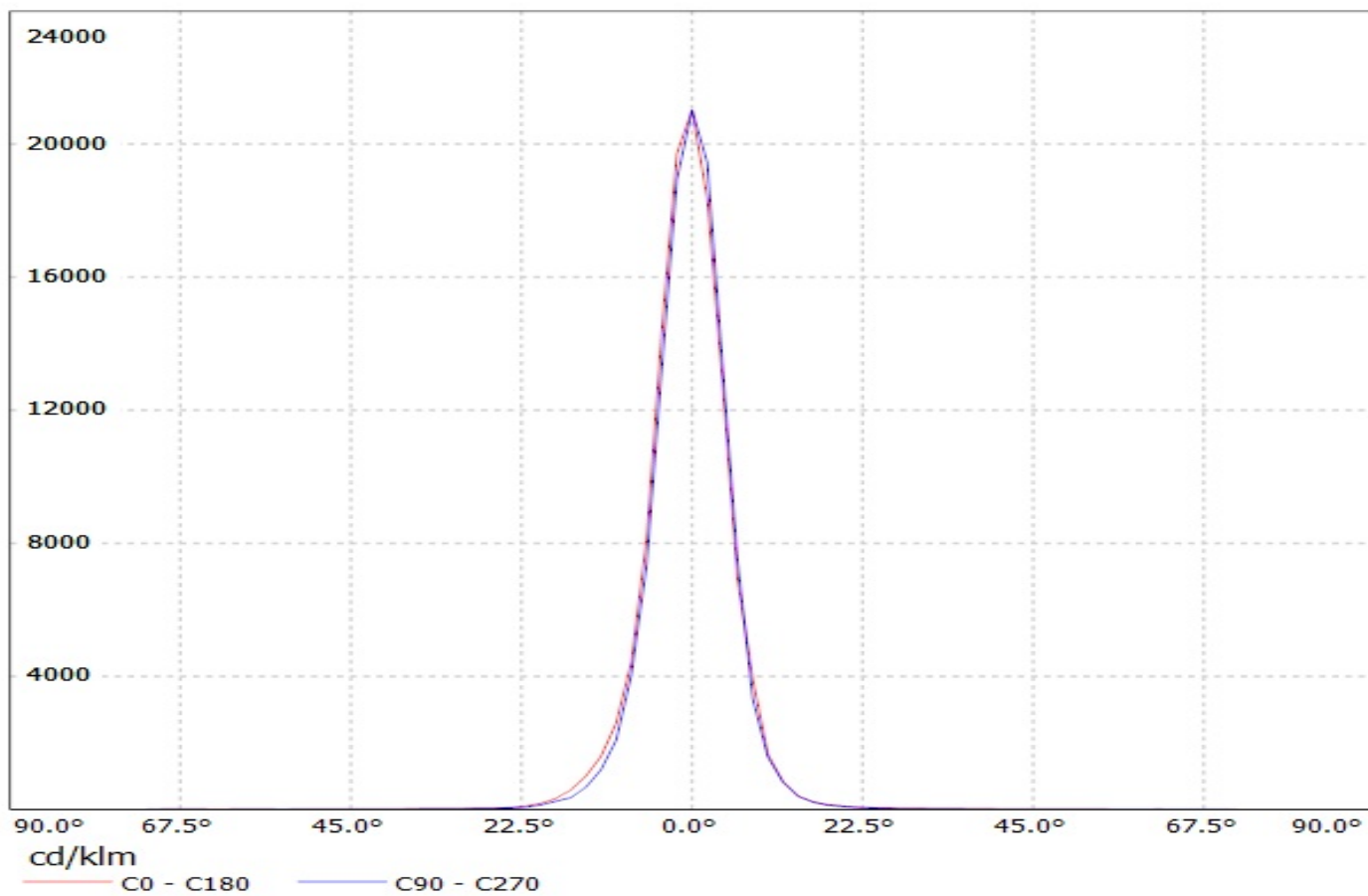
Luminaire: Ledil Oy CP12631\_LAURA-RS-PG (Luxeon A 70lm @ 250mA) Efficiency=93%  
Lamps: 1 x Luxeon A 70lm @ 250mA



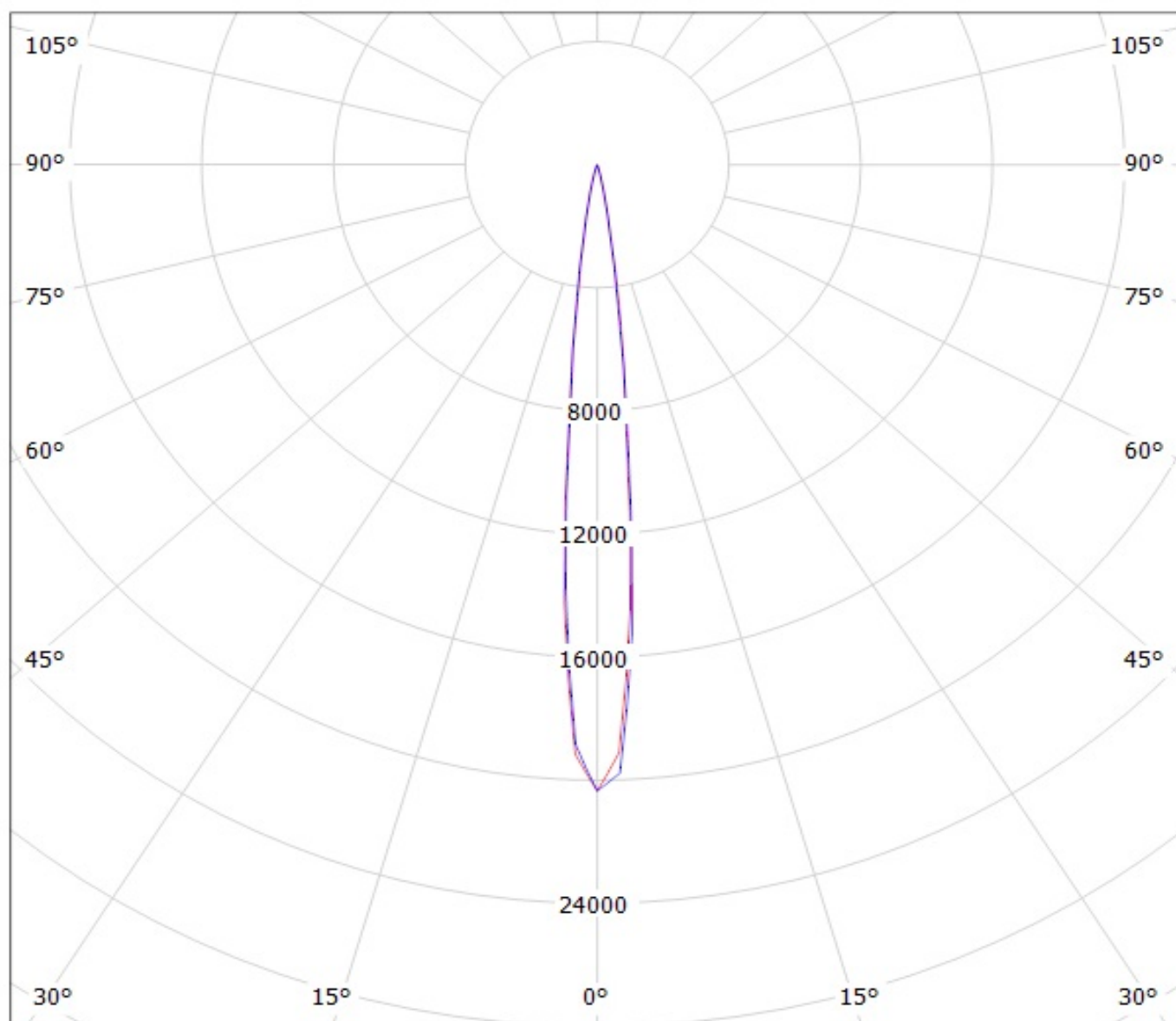
Luminaire: Ledil Oy CP12631\_LAURA-RS-PG (Nichia NVS19 98lm @ 250mA) Efficiency=92%  
Lamps: 1 x Nichia NVS19 98lm @ 250mA



Luminaire: Ledil Oy CP12631\_LAURA-RS-PG (Osram Square EC 78lm @ 250mA) Efficiency=91%  
Lamps: 1 x Osram Square EC 78lm @ 250mA



Luminaire: Ledil Oy CP12631\_LAURA-RS-PG (Cree XP-G 89lm @ 250mA) Efficiency=92%  
Lamps: 1 x Cree XP-G 89lm @ 250mA

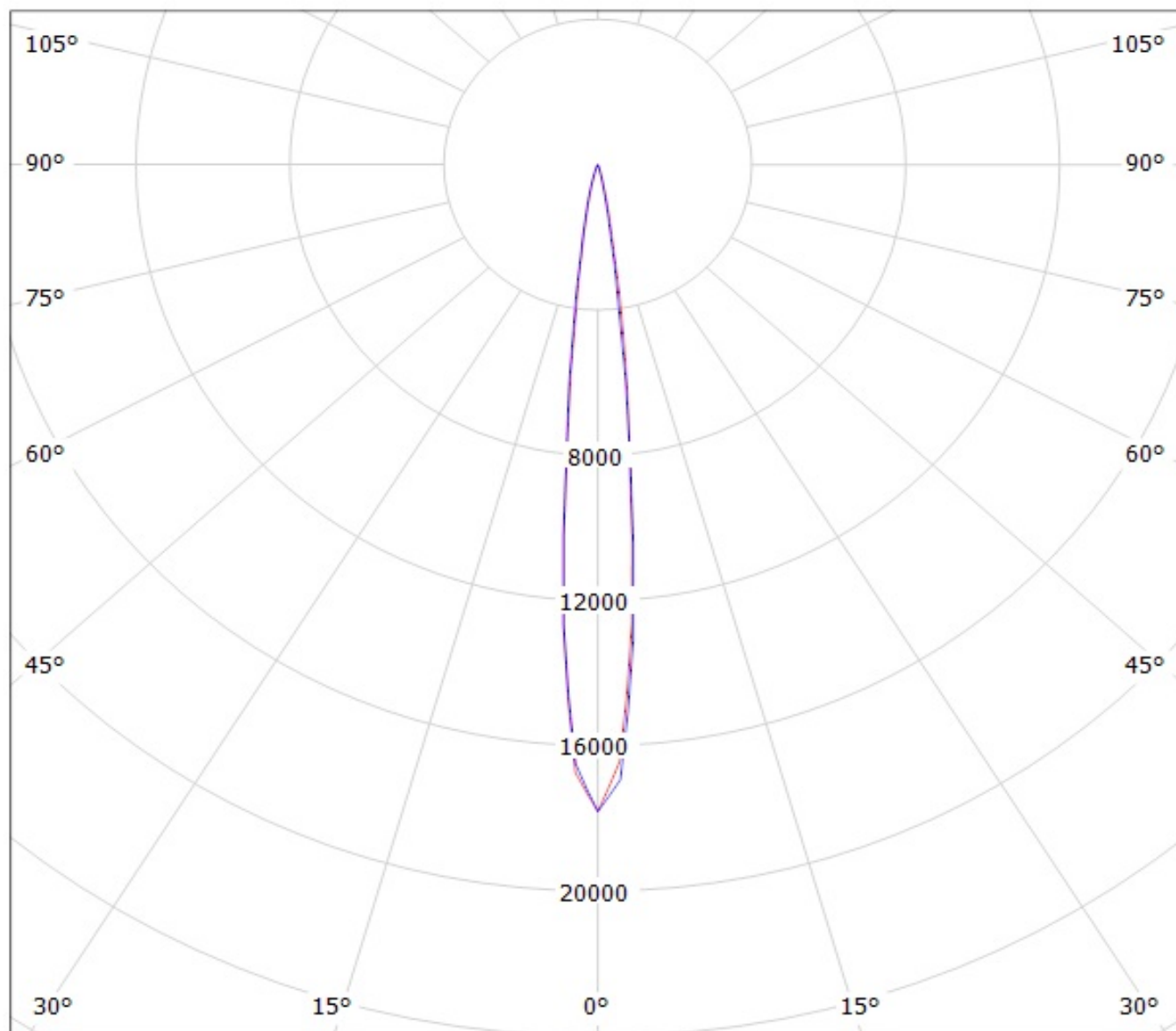


cd/klm

— C0 - C180

— C90 - C270

Luminaire: Ledil Oy CP12631\_LAURA-RS-PG (Luxeon A 70lm @ 250mA) Efficiency=93%  
Lamps: 1 x Luxeon A 70lm @ 250mA

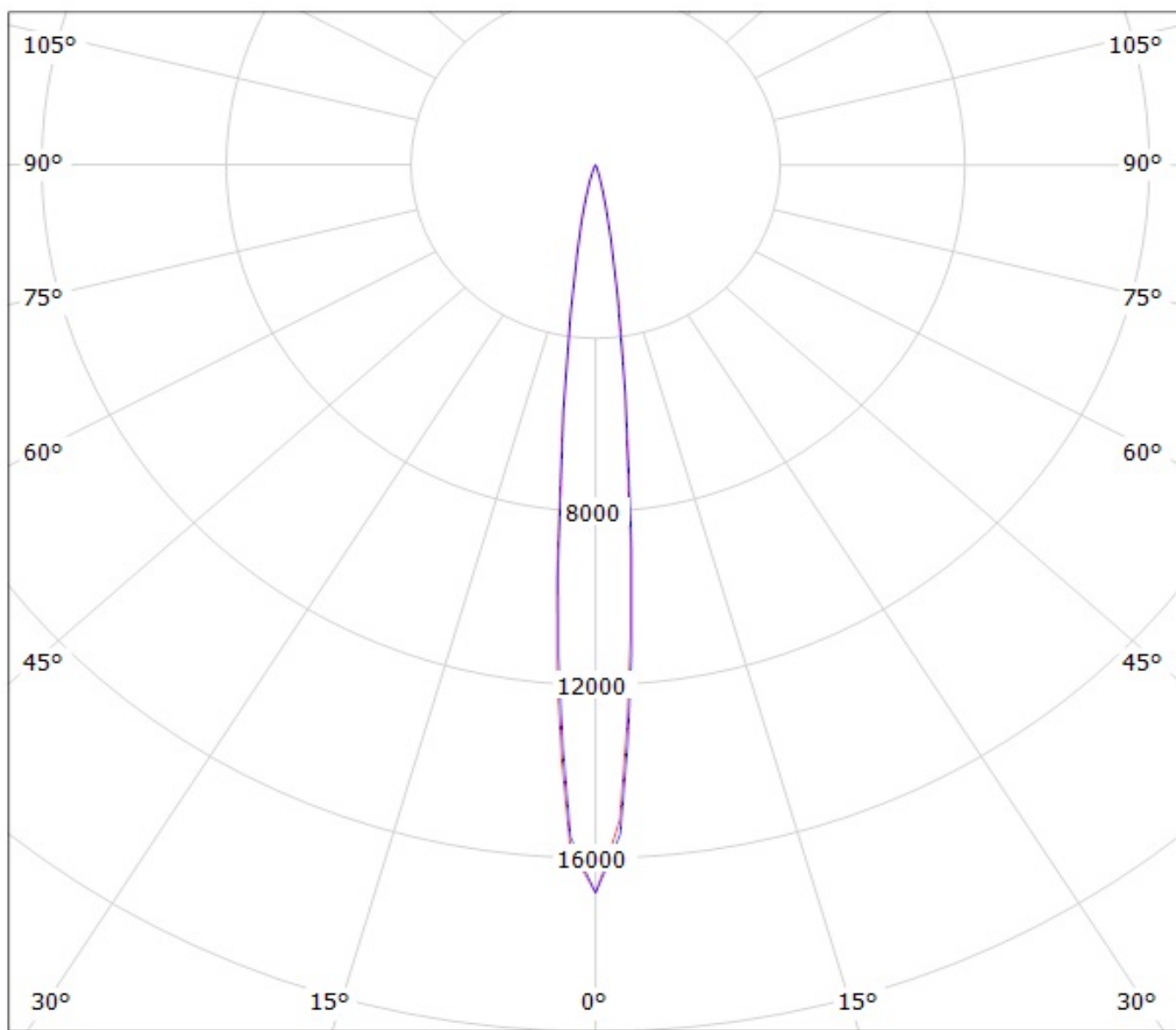


cd/klm

— C0 - C180 — C90 - C270



Luminaire: Ledil Oy CP12631\_LAURA-RS-PG (Nichia NVS19 98lm @ 250mA) Efficiency=92%  
Lamps: 1 x Nichia NVS19 98lm @ 250mA

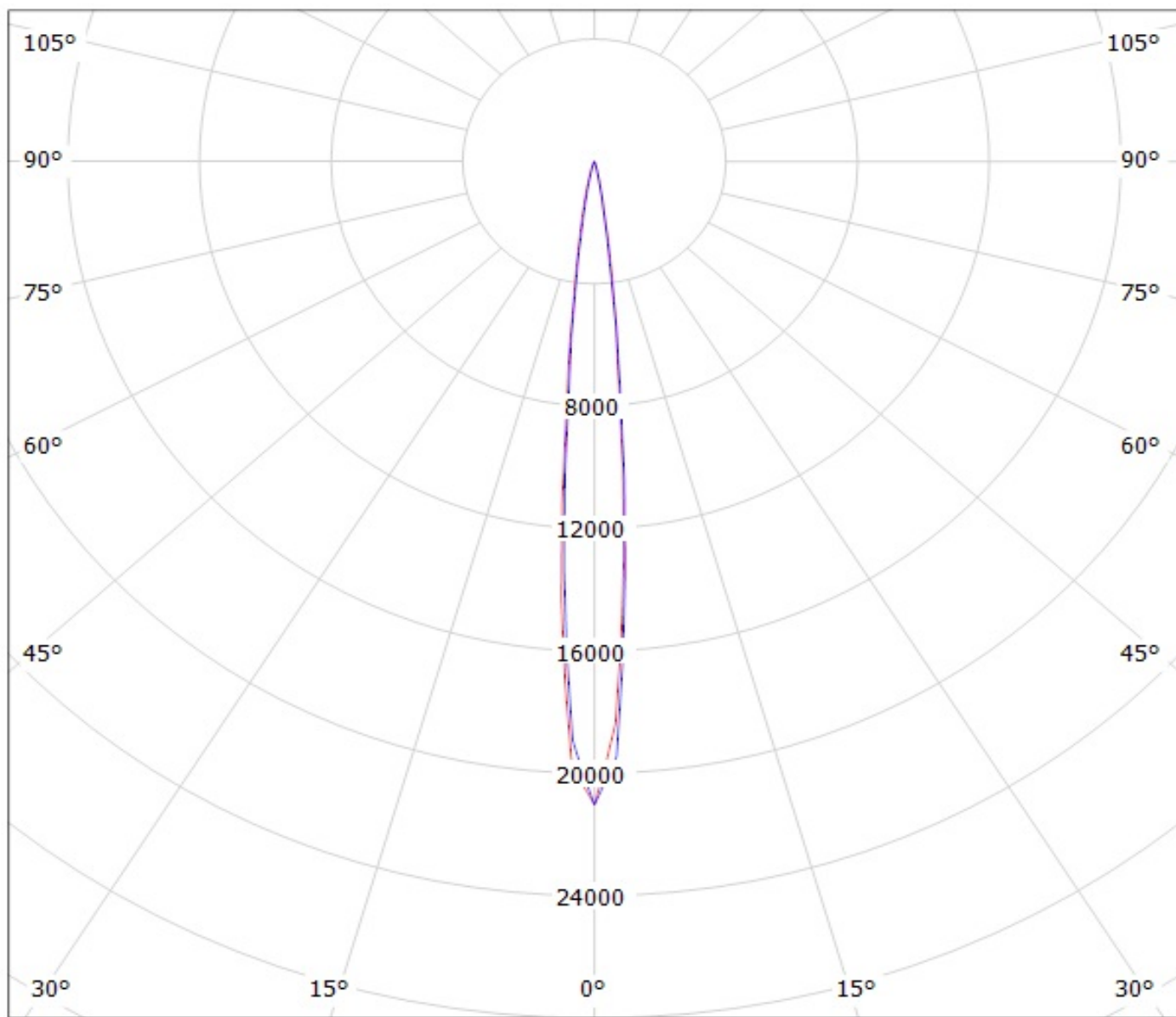


cd/klm

— C0 - C180

— C90 - C270

Luminaire: Ledil Oy CP12631\_LAURA-RS-PG (Osram Square EC 78lm @ 250mA) Efficiency=91%  
Lamps: 1 x Osram Square EC 78lm @ 250mA



cd/klm

— C0 - C180    — C90 - C270

**NOTE: The typical divergence will be changed by different color, chip size and chip position tolerance. The typical total divergence is the full angle measured where the luminous intensity is half of the peak value.**