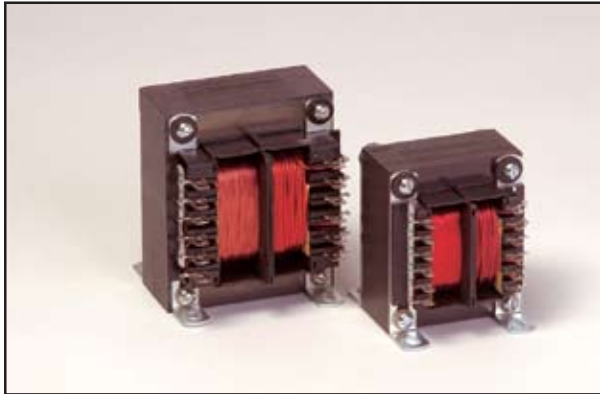


# All-4-One™ International Triple Output Transformers - Chassis Mount



For 5 VDC and  $\pm 12$  VDC or  $\pm 15$  VDC Regulated Power Supplies Requiring International Safety Certification



Triple output transformers with chassis mount capability plus all of the performance features of our split bobbin A41 series.

### General Specifications

- Power - 25 VA to 80 VA
- Dielectric Strength - 4000 Vrms Hipot
- Primaries - Dual primaries (115/230V - 50/60 Hz)
- Secondaries - Dual complementary outputs (5 VDC with  $\pm 12$  VDC or 5 VDC with  $\pm 15$  VDC)
- Terminals - Solder lug / quick connect type terminals
- Leakage - Current meets UL 60601-1, IEC/EN 60601-1
- Insulation - Class F (155° C)
- Flammability Rating - Bobbin and shroud material meet UL 94-V0

### Agency Certifications

- UL 1446 E66312
- UL recognized to UL 506 / UL 5085-2, File # E63829
- CSA certified to C22.2 No. 66.1, File # 221070
- VDE certified to VDE 0805 / EN 60950 (File # 1448)



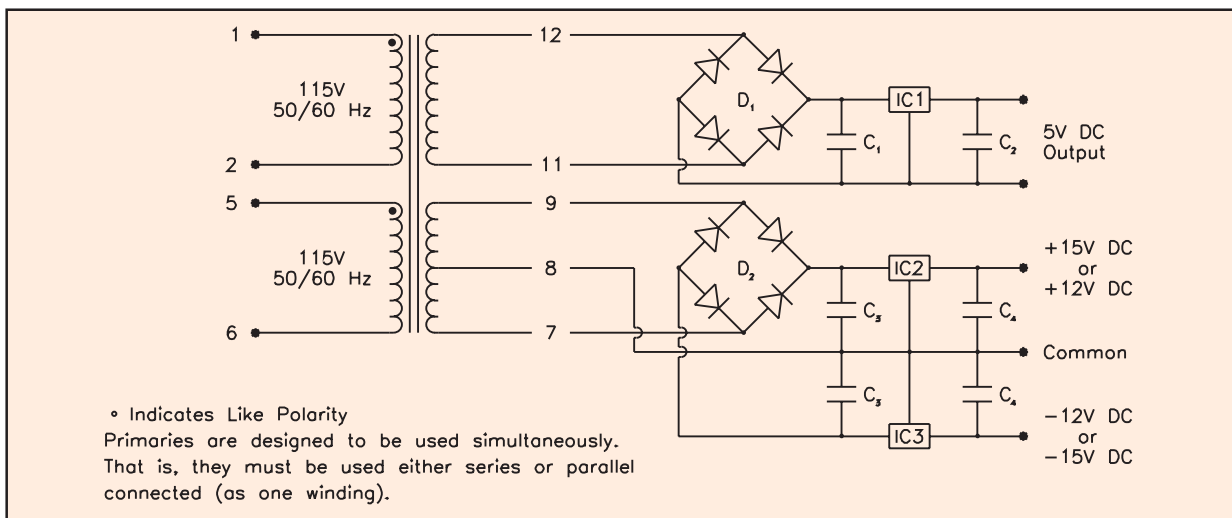
Part Number	VA	DC Output		Suggested Components (C <sub>2</sub> and C <sub>4</sub> See Note 1)						
	Size	Regulator I	Regulator II	C <sub>1</sub>	C <sub>3</sub>	IC1 <sup>1</sup>	IC2 <sup>2</sup>	IC3 <sup>3</sup>	D1 <sup>4</sup>	D2 <sup>4</sup>
A41-25-512	25	5V @ 1.25A	$\pm 12$ V @ 150mA	4.1 KMFD @15 VDC	600 MFD @50 VDC	LM-323K-5	LM-340K-12	LM-320K-12	PE20	PF20
A41-25-515	25	5V @ 1.25A	$\pm 15$ V @ 130mA			LM-323K-5	LM-340K-15	LM-320K-15	PE20	PF20
A41-43-512	43	5V @ 2A	$\pm 12$ V @ 300mA	8 KMFD @15 VDC	1.1 KMFD @ 50 VDC	LM-323K-5	LM-340K-12	LM-320K-12	PE20	PF20
A41-43-515	43	5V @ 2A	$\pm 15$ V @ 250mA			LM-323K-5	LM-340K-15	LM-320K-15	PE20	PF20
A41-80-512	80	5V @ 3.5A	$\pm 12$ V @ 600mA	10 KMFD @15 VDC	2.1 KMFD @ 50 VDC	LM-338 <sup>2</sup>	LM-340K-12	LM-320K-12	PP20	PF20
A41-80-515	80	5V @ 3.5A	$\pm 15$ V @ 500mA			LM-338 <sup>2</sup>	LM-340K-15	LM-320K-15	PP20	PF20

Note 1: Output capacitors C2 and C4 are required to stabilize regulators. Values can be 1 MFD min. tantalum or 10 MFD min. electrolytic, 20V min.

Note 2: LM-338 is an adjustable regulator and MFR's specifications (National Semiconductor) should be consulted for values of external components.

Note 3: All IC's are National Semiconductor types.

Note 4: All bridges are EDI types.



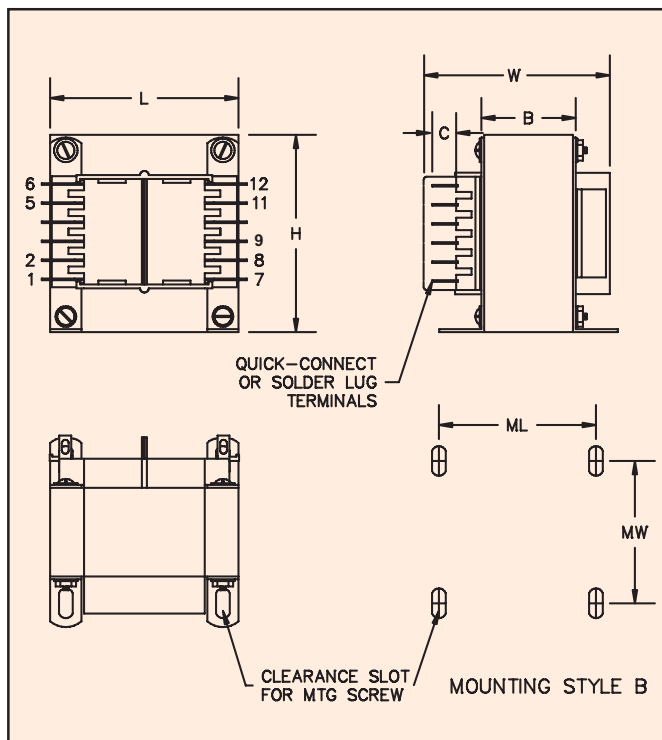
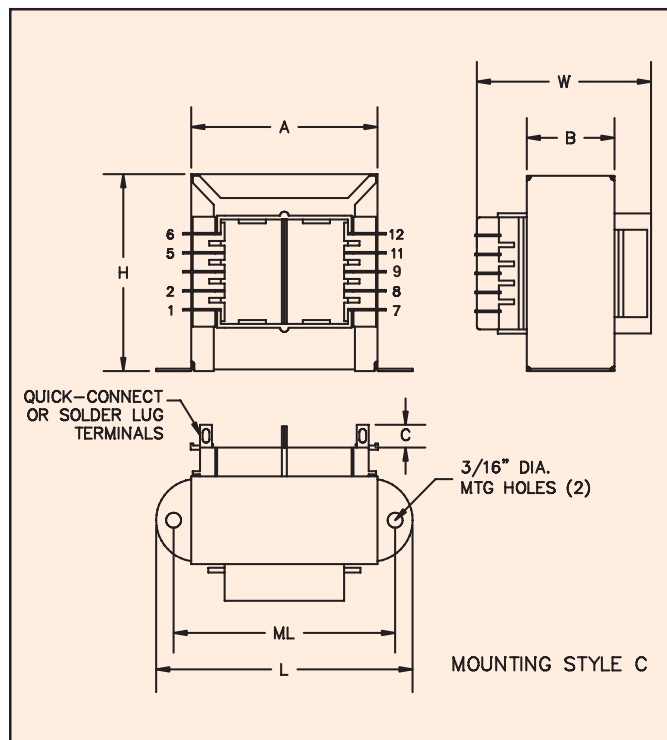
Note: VDE certified A41 Series transformers with standard length and color lead wires are readily available. Contact Customer Service for more information.

Custom versions available upon request.

©2008 Signal Transformer — Specification subject to change without notice. 07.08

# All-4-One™ International Triple Output Transformers - Chassis Mount

For 5 VDC and ±12 VDC or ±15 VDC Regulated Power Supplies Requiring International Safety Certification



VA	Dimensions						Terminal	Mounting Style	Mounting Dimensions		Mounting Screw	Weight
	L	W	H	A	B	C			ML	MW		
Size	Inches (mm)						Inches (mm)					lbs (kg)
25	2.81 (71.4)	2.14 (54.4)	2.31 (58.7)	2.00 (50.8)	1.12 (28.6)	0.31 (7.9)	0.18 (4.75)	C	2.37 (60.3)	-	#6	1.25 (0.57)
43	3.12 (79.4)	2.14 (54.4)	2.68 (68.2)	2.25 (57.2)	1.12 (28.6)	0.31 (7.9)	0.18 (4.75)	C	2.81 (71.4)	-	#6	1.6 (0.73)
80	2.50 (63.5)	2.53 (64.3)	3.00 (76.2)	-	1.37 (34.9)	0.31 (7.9)	0.18 (4.75)	B	2.00 (50.8)	2.18 (55.5)	#6	2.8 (1.27)

Custom versions available upon request.

©2008 Signal Transformer — Specification subject to change without notice. 07.08



650 Bayview Avenue, Inwood, NY 11096  
 Toll Free 866-239-5777 • Tel 516-239-5777 • Fax 516-239-7208  
 sales@signaltransformer.com • techhelp@signaltransformer.com