

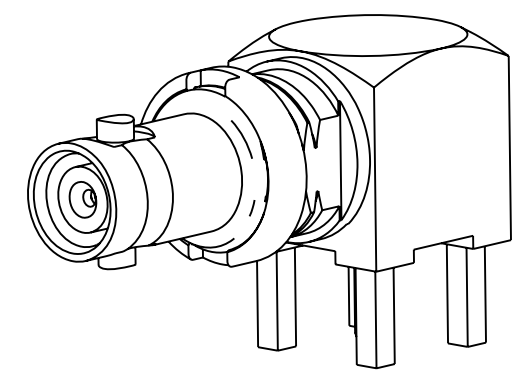
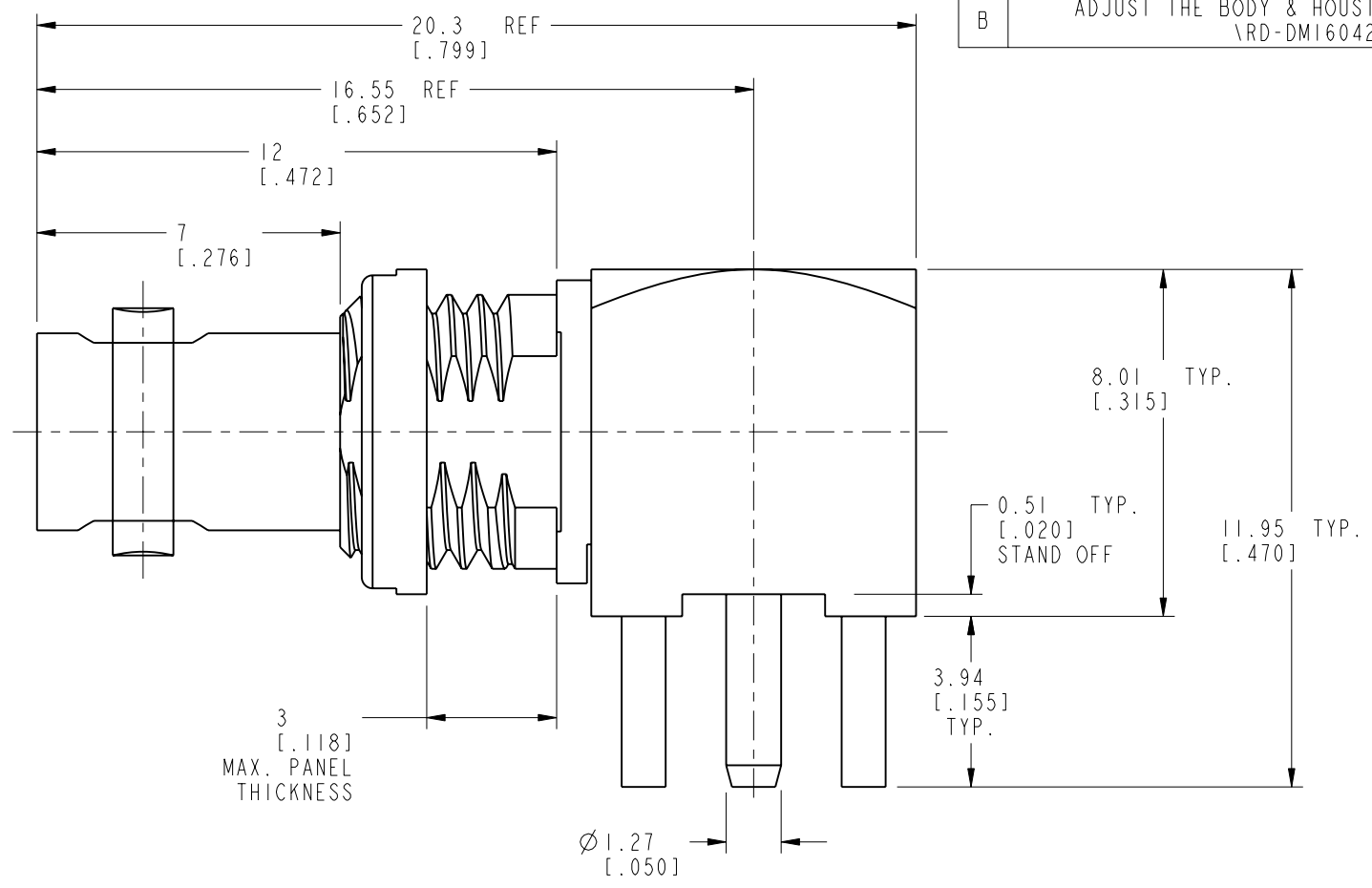
NOTES:

1. MATERIALS AND FINISHES:  
 BODY - BRASS, NICKEL PLATING  
 HOUSING - BRASS, MATTE TIN PLATING  
 CONTACT - BeCu, GOLD PLATING  
 INSULATOR - PTFE, NATURAL
2. ELECTRICAL:  
 A. IMPEDANCE: 50 OHMS  
 B. FREQUENCY RANGE: DC - 6 GHz  
 C. RETURN LOSS : 30 dB MIN @ DC-3 GHz  
                   25 dB MIN @ 3-6 GHz  
 D. DIELECTRIC WITHSTANDING VOLTAGE: 1000 VRMS, MIN.  
 E. INSULATION RESISTANCE: 10,000 MEGOHMS MIN
3. MECHANICAL:  
 A. DURABILITY: 500 CYCLES MIN.
4. ENVIRONMENTAL:  
 A. THERMAL SHOCK PER MIL-STD-202 METHOD 107  
    TEST CONDITION B (EXCEPT HIGH TEMP @200° C)  
 B. VIBRATION: MIL-STD-202 METHOD 204 TEST CONDITION B  
 C. SHOCK: MIL-STD-202 METHOD 213 TEST CONDITION B  
 D. CORROSION: MIL-STD-202 METHOD 101  
    TEST CONDITION B 5% SALT SOLUTION
5. PACKAGING:  
 A. QUANTITY: SINGLE PACK  
 B. MARKING: MARK BAG OR TAG  
    "AMPHENOL RF, 34-5024, AND DATE CODE"

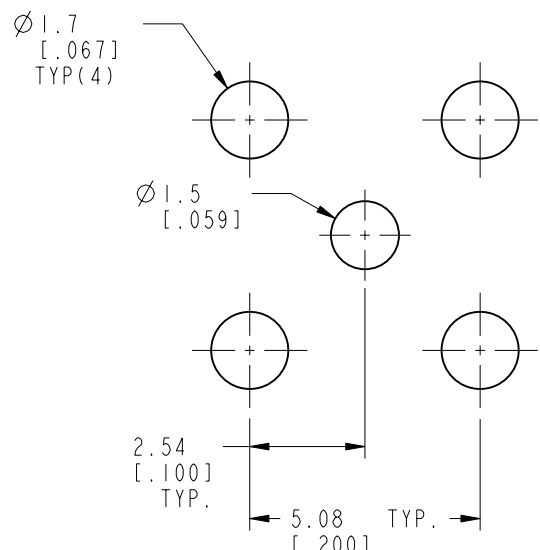
THIRD ANGLE PROJ.

REVISIONS

REV	DESCRIPTION	DATE	ECO	APPR
A	RELEASE TO MFG.	08-Apr-13	49282	TD
B	ADJUST THE BODY & HOUSING WALL THICKNESS VRD-DM16042901S2	06-May-16	-----	HHE

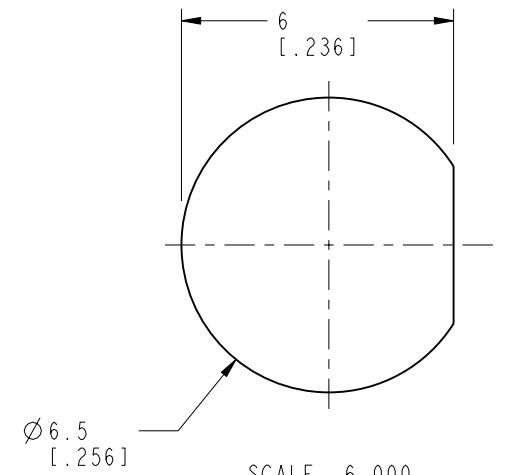
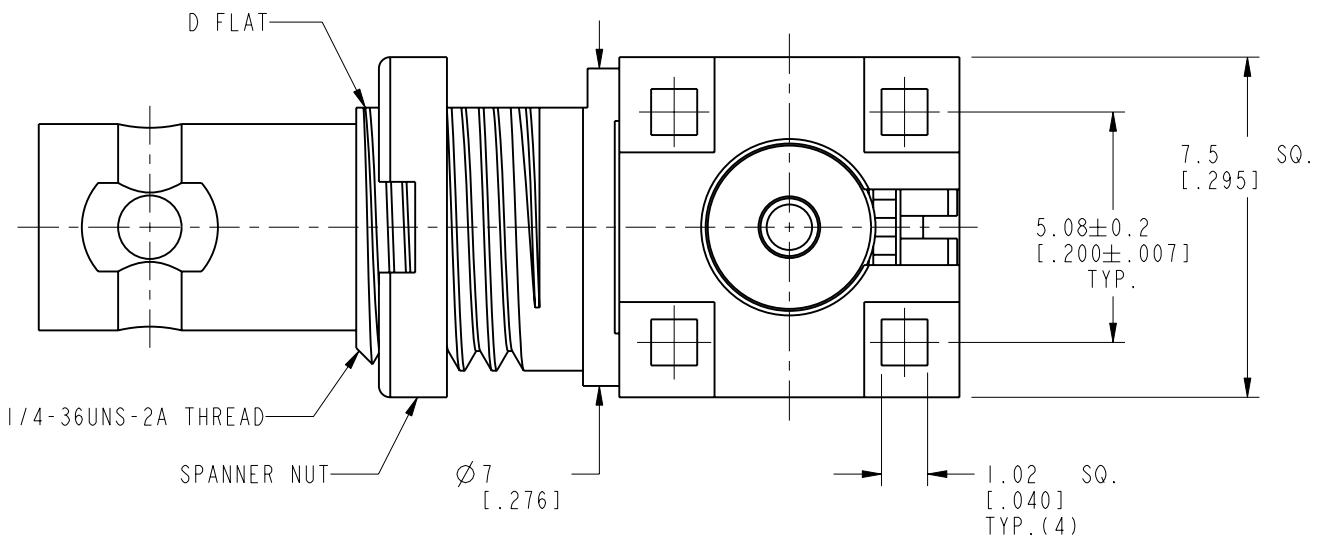


SCALE 3.500



**RECOMMENDED MOUNTING HOLE DIMENSIONS**

SCALE 6.000



**RECOMMENDED PANEL CUTOUT DIMENSIONS**

SCALE 6.000

**CUSTOMER OUTLINE DRAWING**

ALL OTHER SHEETS ARE FOR INTERNAL USE ONLY

UNLESS OTHERWISE SPECIFIED, DIMENSIONS ARE IN METRIC AND TOLERANCES ARE: <0.5mm ±0.05mm    0.5 - 6mm ±0.1mm    6 - 30mm ±0.2mm    30 - 120mm ±0.3mm    ANGLES ±1°  NOTICE - These drawings, specifications, or other data (1) are, and remain the property of Amphenol corp. (2) must be returned upon request; and (3) are confidential and not to be disclosed to any person other than those to whom they are given by Amphenol Corp. the furnishing of these drawings, specifications, or other data by Amphenol Corp., or to any other person to anyone for any purpose is not to be regarded by implication or otherwise in any manner licensing, granting rights to permitting such holder or any other person to manufacture, use or sell any product, process or design, patented or otherwise, that may in any way be related to or disclosed by said drawings, specifications, or other data.	MATERIAL	DRAWN	DATE	TITLE 50 OHM HD BNC RA BHD JACK PCB MOUNT		Amphenol RF www.amphenolrf.com	
	SEE NOTES	M. ZHANG	28-Apr-16				
	REFERENCE	APPROVED	DATE	SCALE: 6.0:1.0		DRAWING NO. 34-5024	
	EAR # 5400	S. HSIEH	28-Apr-16	SHEET 2 OF 2		ITEM NO. 34-5024	
CONFIGURATION LEVEL:	CAD FILE		DWG SIZE	REV	PART NO. 34-5024		
FINISH			B	B			