

RECOMMENDED CIRCUIT BOARD HOLE LAYOUT

NOTES:

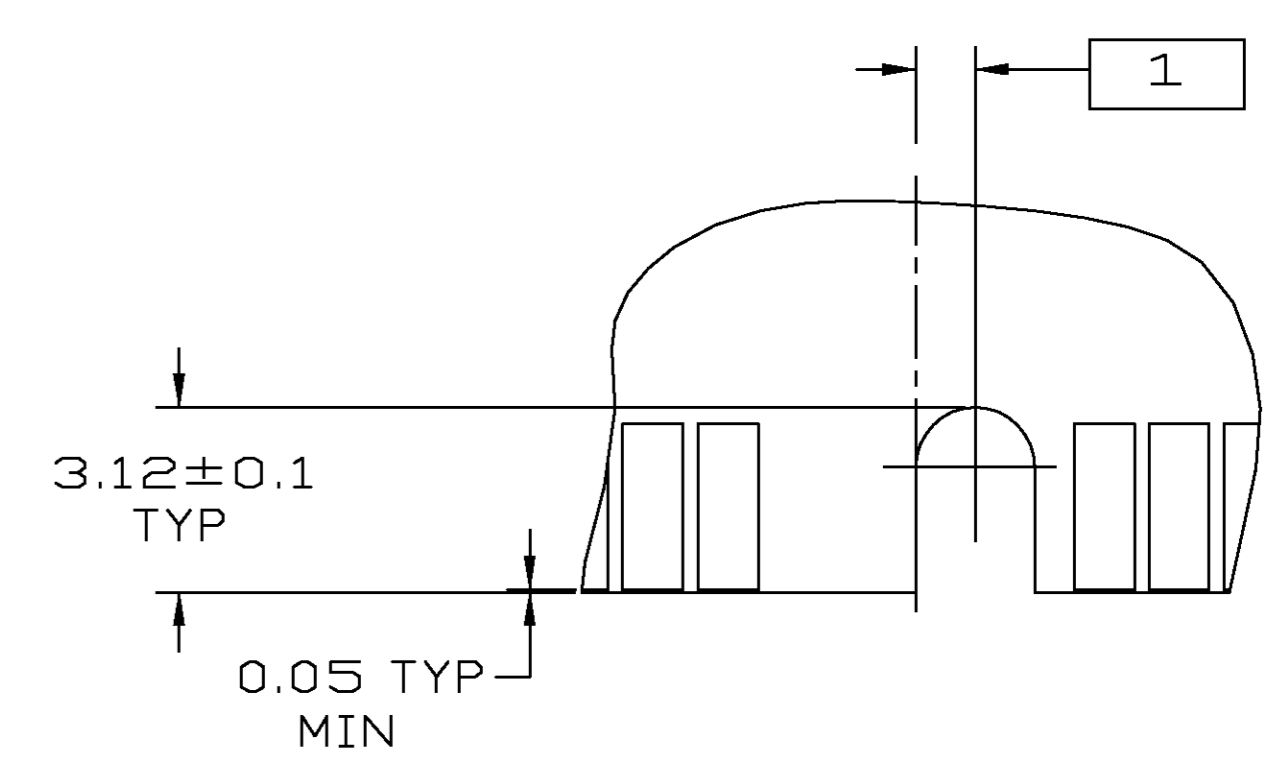
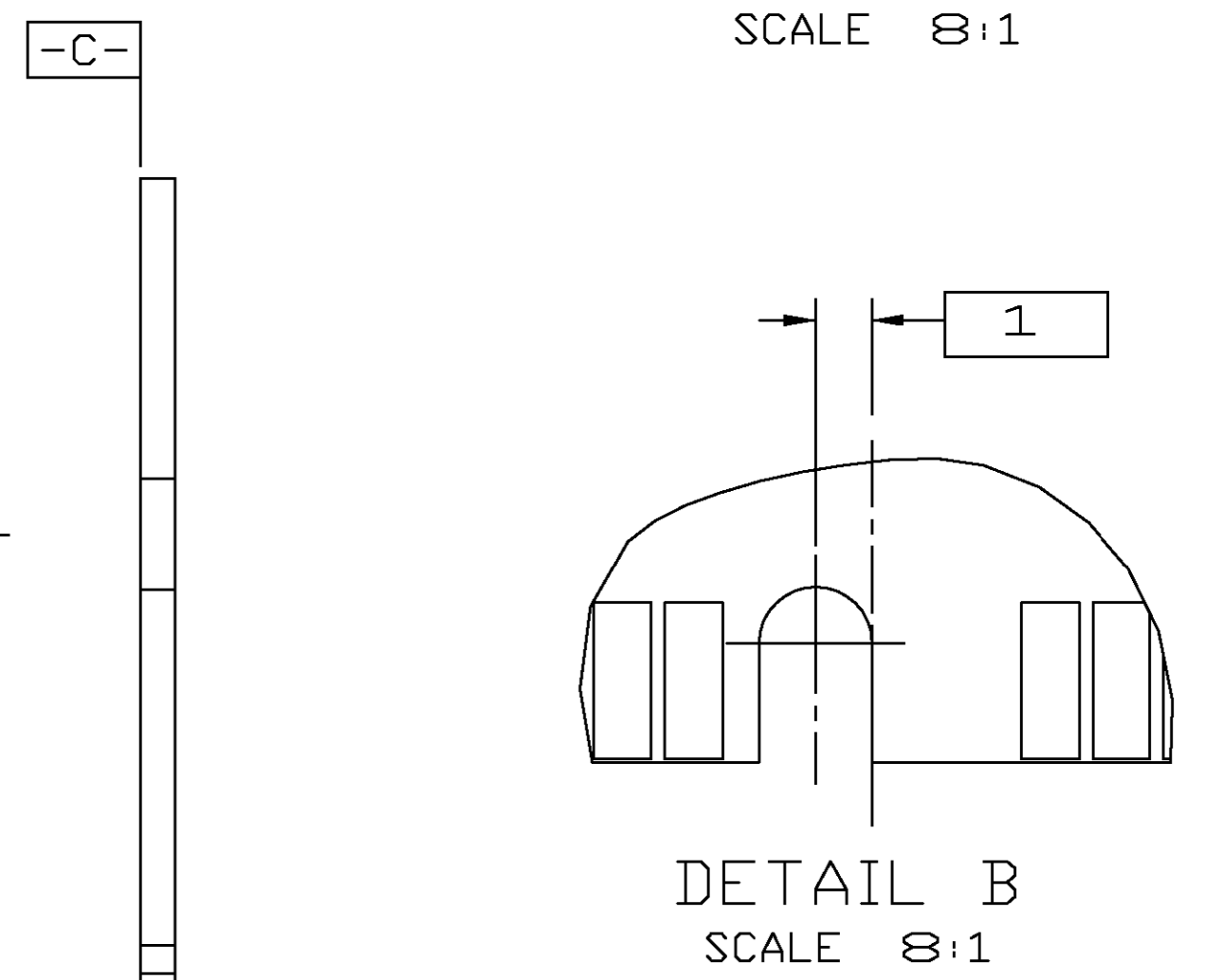
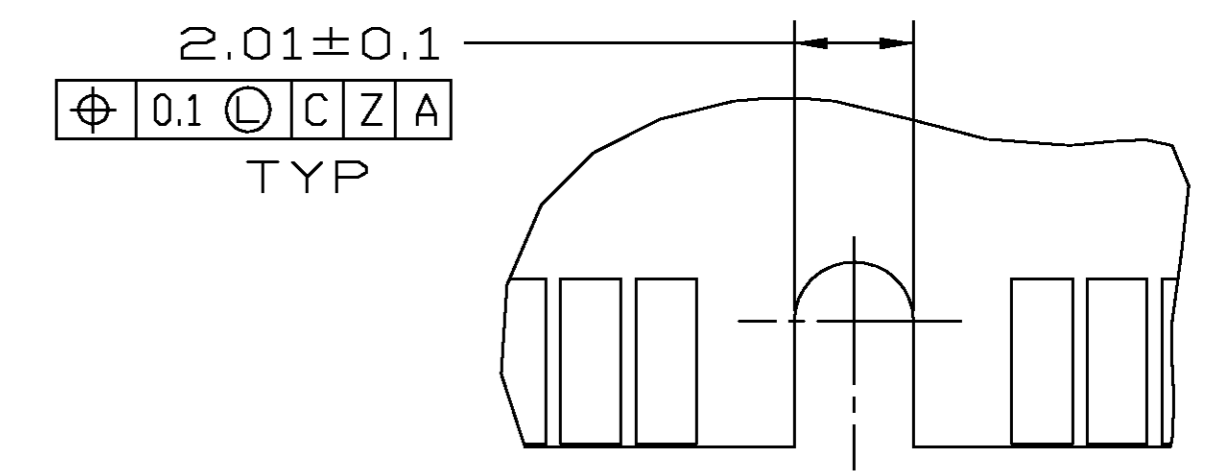
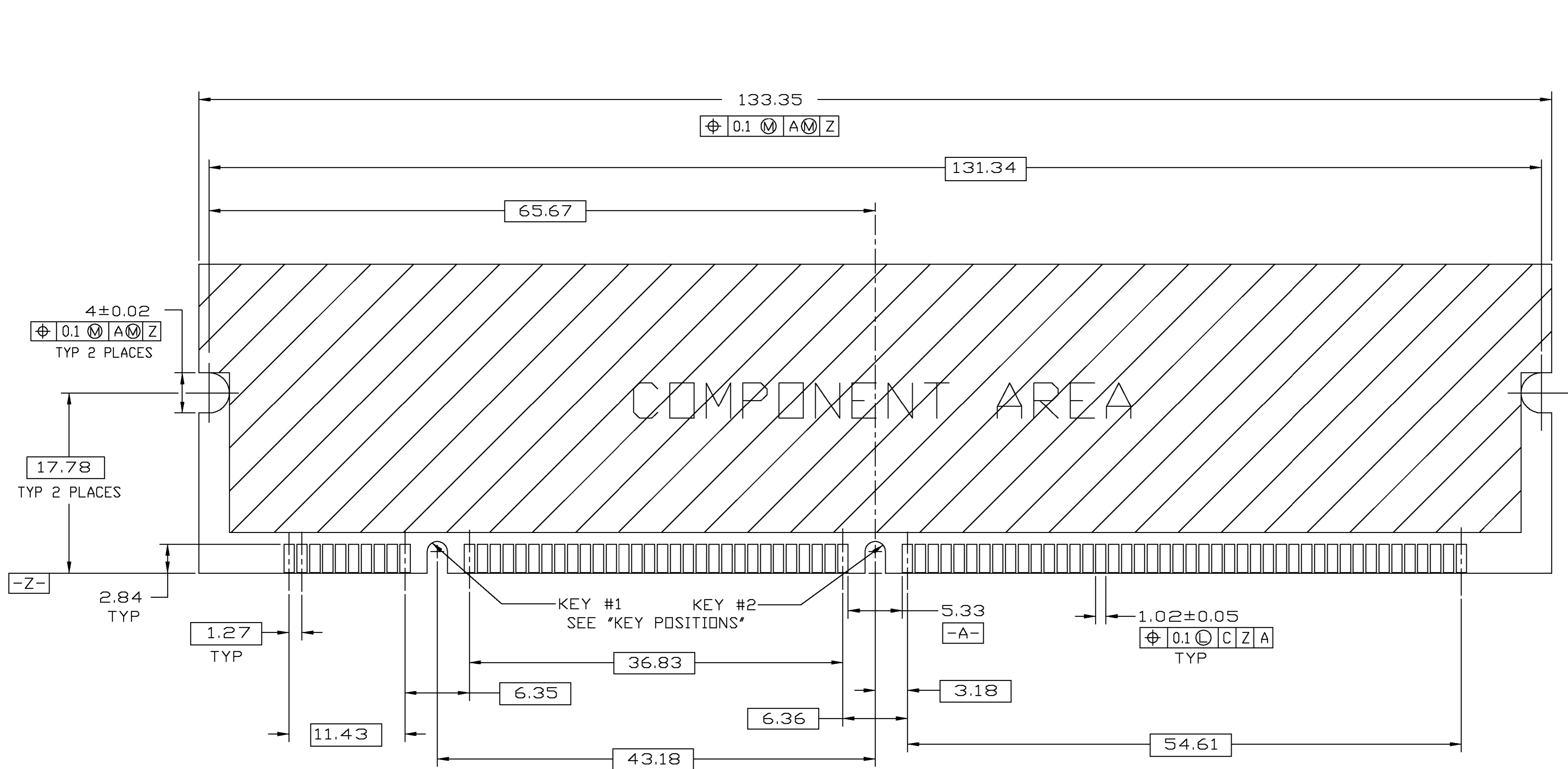
- 1 MATERIAL:
HOUSING, CONTACT COVER AND ALIGNMENT PLATE:
LCP, 94V-0 RATED, BLACK.
LATCH: NYLON, NATURAL.
CONTACT: PHOS BRONZE.
- 2 CONTACT PLATING:
50 μin MIN NICKEL UNDERPLATE ON ENTIRE CONTACT,
100 μin MIN TIN/LEAD ON SOLDER TAILS,
30 μin MIN GOLD IN CONTACT INTERFACE AREA.

DETAIL C	DETAIL A	NON-BUFFERED DRAM, 3.3 VOLT	390326-6
KEY #1	KEY #2	PART DESCRIPTION	PART NUMBER

SECTION A-A
< 6:1 >

THIS DRAWING IS A CONTROLLED DOCUMENT.		DWN A.HOLT 24AUG99	AMP Incorporated Harrisburg Pa 17105-3608
DIMENSIONS: MM		CHK C.FULP 24AUG99	AMP
TOLERANCES UNLESS OTHERWISE SPECIFIED:		APVD C.FULP 24AUG99	NAME C.FULP
0 PLC	± 0.3	PRODUCT SPEC	SOCKET, DIMM, DRO, RIGHT ANGLE
1 PLC	± 0.05	APPLICATION SPEC	168 POSITION, 1.60mm CONTACT PITCH
2 PLC	± 0.010	APPLIC. SPEC	NONE
3 PLC	± 0.010	APPLIC. SPEC	NONE
4 PLC	± 0.010	APPLIC. SPEC	NONE
ANGLES	± 1°	WEIGHT	-
MATERIAL	1	FINISH	2
CUSTOMER DRAWING		SCALE 3:1	SHEET 1 OF 2

LOC		DIST		REVISIONS			
GP	00	P	LN	DESCRIPTION	DATE	DNW	APD
		E		SEE SHEET 1	-	-	-



RECOMMENDED MODULE LAYOUT
 SEE JEDEC SPEC. MO-161 FOR COMPLETE MODULE DETAILS
 1.27 ± 0.10 THICK ACROSS CONTACT PADS
 SCALE 4:1

KEY POSITIONS

THIS DRAWING IS A CONTROLLED DOCUMENT.		DNW A.HOLT 24AUG99	AMP Incorporated Harrisburg Pa 17105-3608
DIMENSIONS: MM		CHK C.FULP 24AUG99	AMP
TOLERANCES UNLESS OTHERWISE SPECIFIED:		APD C.FULP 24AUG99	NAME C.FULP
0 PLC ± 0.3	PRODUCT SPEC	108-1756	
1 PLC ± 0.05	APPLICATION SPEC	NONE	
2 PLC ± 0.010	WEIGHT	-	
3 PLC ± 0.010	SCALE	3:1	
4 PLC ± 0.010	SIZE	A1	
ANGLES ± 1°	CAGE CODE	00779	
MATERIAL	DRAWING NO	C-390326	
FINISH	RESTRICTED TO	-	
1	CUSTOMER DRAWING	SCALE	3:1
2	SHEET	2	2
	REV	E	