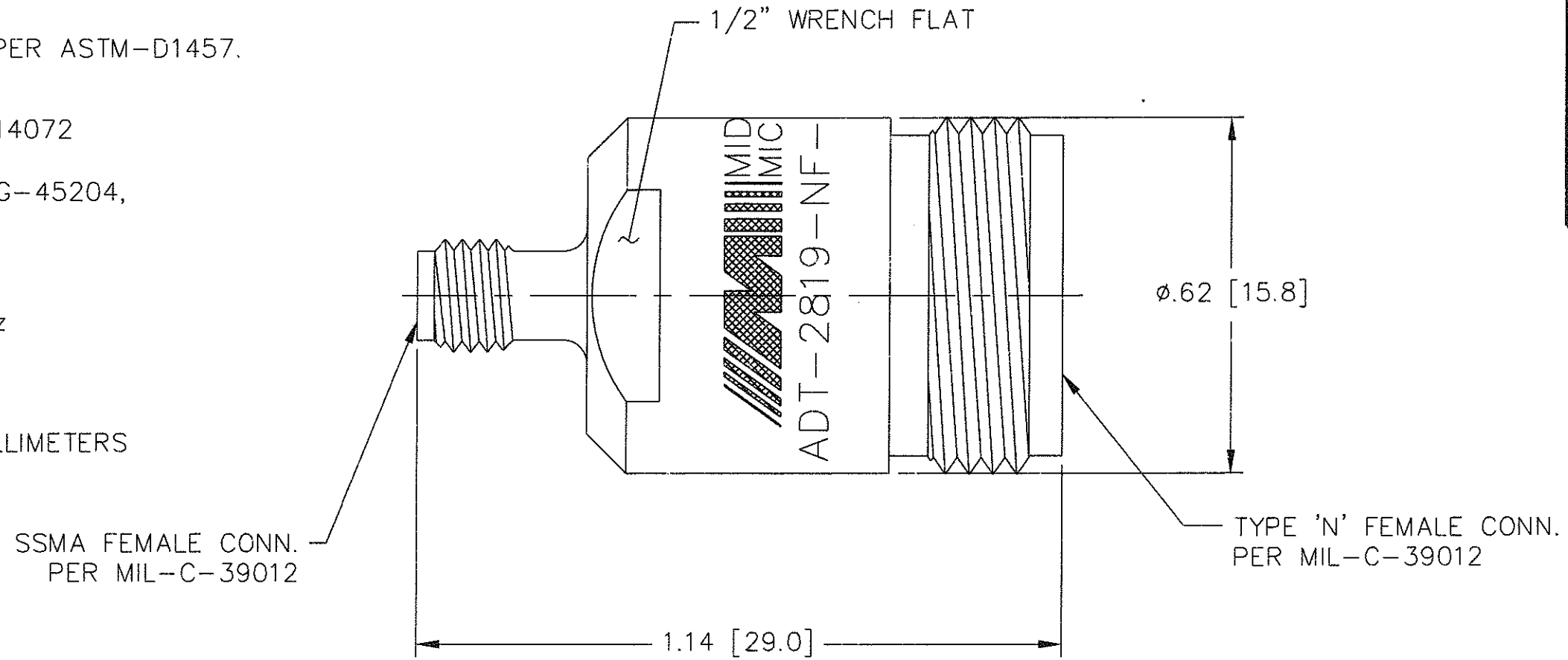


- NOTES:
- 1.0 MATERIALS:
 - 1.1 HOUSING: STAINLESS STEEL PER ASTM-A582, TYPE 303.
 - 1.2 CENTER CONTACT: BERYLLIUM COPPER ROD ALLOY C172, PER ASTM-B196.
 - 1.3 DIELECTRIC: PTFE FLUOROCARBON PER ASTM-D1457.
 - 2.0 PLATING:
 - 2.1 HOUSING: PASSIVATED PER MIL-F-14072 AND QQ-P-35
 - 2.2 CENTER CONTACT: GOLD PER MIL-G-45204, TYPE II, CLASS 2.
 - 3.0 ELECTRICAL SPECIFICATIONS:
 - 3.1 FREQUENCY RANGE: DC to 18.0 GHz
 - 3.2 VSWR: 1.20:1 MAX.
 - 3.3 IMPEDANCE: 50 OHMS
 - 4.0 DIMENSIONS IN BRACKETS ARE IN MILLIMETERS
 - 5.0 MARKING: MARK UNIT AS SHOWN (REF.: INK-04390-27-16)



REV.	DESCRIPTION	DATE
-	RELEASED	4/11/01

UNLESS OTHERWISE NOTED DIMENSIONS ARE IN INCHES AND TOLERANCES ARE:		FSCM NO.	34078 MIDWEST MICROWAVE	
3 PLACE DECIMALS ±.005		NOTICE: The information contained in this drawing is proprietary and must not be used without the permission of Midwest Microwave		TITLE
2 PLACE DECIMALS ±.02				ADAPTER SSMA FEMALE TO TYPE 'N' JACK
FRACTIONS ±1/64		DRAWN/DATE		DRAWING NUMBER
PARALLELITY: T.I.R. _____		M. STAFFORD 4/11/01		ADT-2819-NF-SSF-02
FLATNESS: T.I.R. _____		ENG./DATE		SCALE: 4=1
CONCENTRICITY: T.I.R. _____		APPROVED/DATE		SHEET 1 of 1
ANGLES AND PERPENDICULARITY: ±1°				