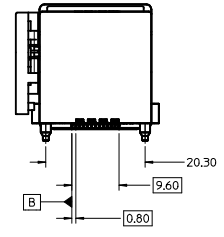
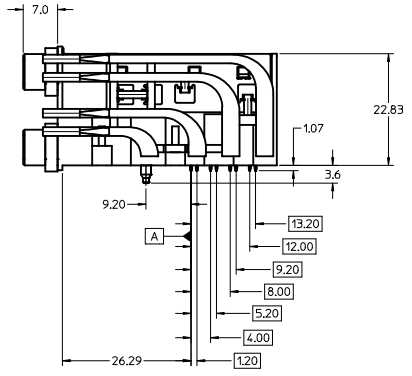
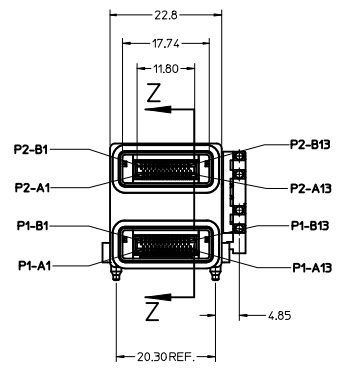
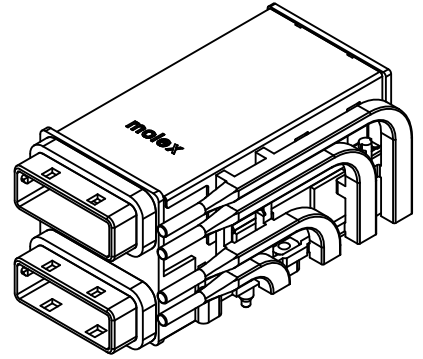
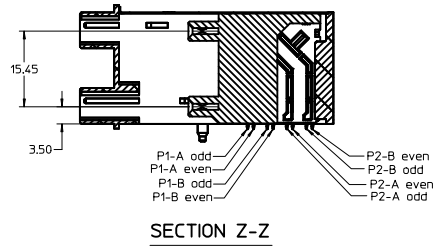
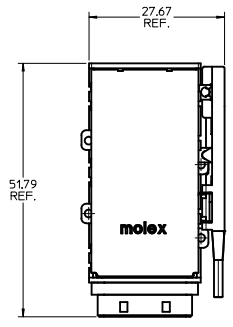
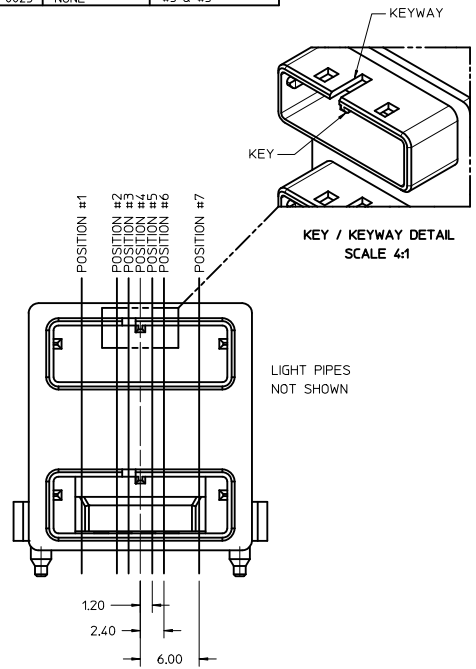
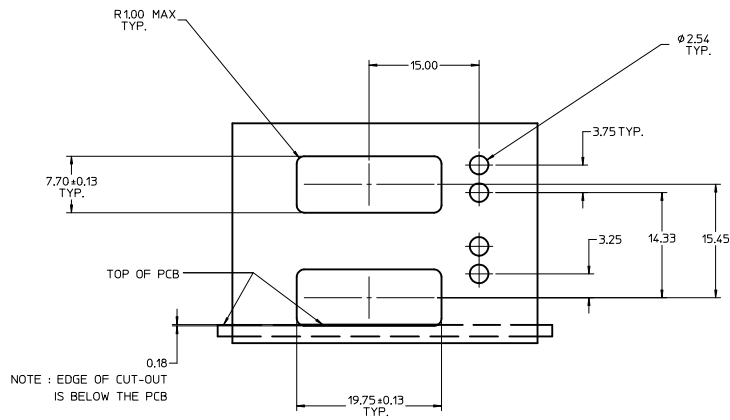


KEY/KEYWAY OPTIONS			
PART NUMBER	KEY POSITION	KEYWAY POSITION	
TIN/LEAD	LEAD-FREE		
75758-0001	75758-0021	NONE	NONE
75758-0002	75758-0022	#3	NONE
75758-0003	75758-0023	#4	NONE
75758-0004	75758-0024	#4	#3 & #5
75758-0005	75758-0025	NONE	#3 & #5



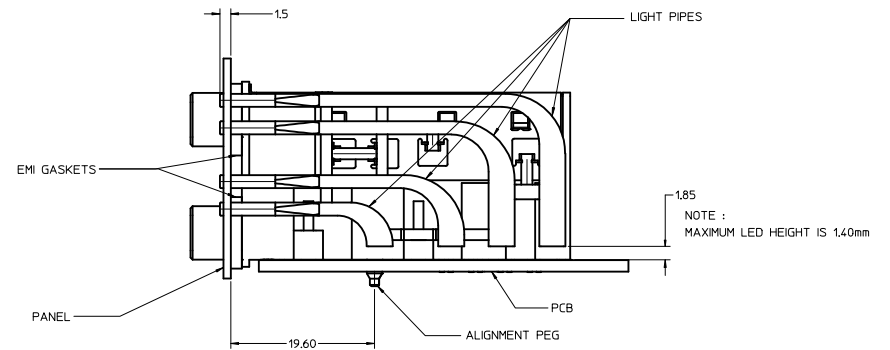
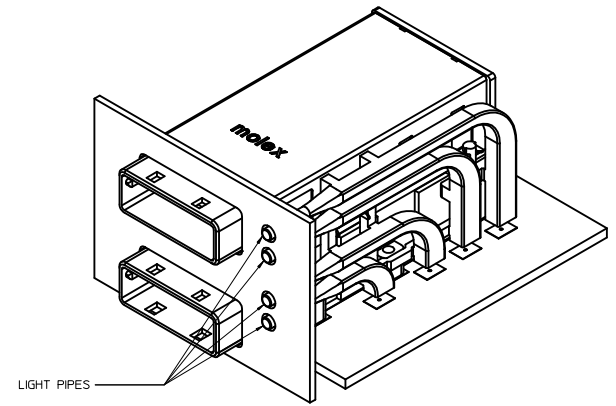
- NOTES :
- MATERIALS :
 CONNECTOR HOUSING - HIGH TEMP THERMOPLASTIC,
 GLASS-FILLED, UL94V-0,
 COLOR - BLACK
 EMI HOUSING - DIE CAST ALLOY, NICKEL PLATED FINISH
 COVER - STAINLESS STEEL ALLOY
 CPI TERMINALS - COPPER ALLOY
 EMI GASKETS - CONDUCTIVE POLYMER
 LIGHT PIPE - CLEAR THERMOPLASTIC, UL94V-0
 - TERMINAL PLATING :
 CONTACT AREA - 0.76µ MIN GOLD OVER 2.54µ MIN NICKEL.
 COMPLIANT AREA - 0.76-1.52µ TIN/LEAD (90/10) OVER
 2.54µ MIN NICKEL.
 - PACKAGING SPECIFICATION : TRAY PACK IN BOX.
 - REFER TO PS-75586-001 PRODUCT SPEC FOR ALL ELECTRICAL, MECHANICAL AND ENVIRONMENTAL SPECIFICATIONS.
 - THIS CONNECTOR IS DESIGNED TO MATE WITH MOLEX CABLE SERIES 74548.
 - REQUIRES MOUNTING HARDWARE : (4) M2 X 8MM CAP SCREWS OR EQUIV.
 MAX. TORQUE 2.3 in/lbs.

ADD LEAD-FREE #'s EC NO. UCP2012-1003 DRWNS:SRIGIEL CHKD: APPR:RBANKS REV DESCRIPTION 2011/10/20	QUALITY SYMBOLS	GENERAL TOLERANCES (UNLESS SPECIFIED)	DIMENSION STYLE	SCALE	DESIGN UNITS	THIRD ANGLE PROJECTION
	∇=0 ∇=0 ∇=0	4 PLACES ± --- INCH 3 PLACES ± --- INCH 2 PLACES ± 0.25 INCH 1 PLACE ± 0.25 INCH ANGULAR ±1/2°	mm INCH	MM ONLY	2:1	METRIC
DRAFT WHERE APPLICABLE MUST REMAIN WITHIN DIMENSIONS		MATERIAL NO. 75758-000*		DOCUMENT NO. SD-75758-001		TITLE: IPASS STACKED 26/26 CIRCUIT CONNECTOR W/LIGHT PIPES MOLEX INCORPORATED SHEET NO. 1 OF 3



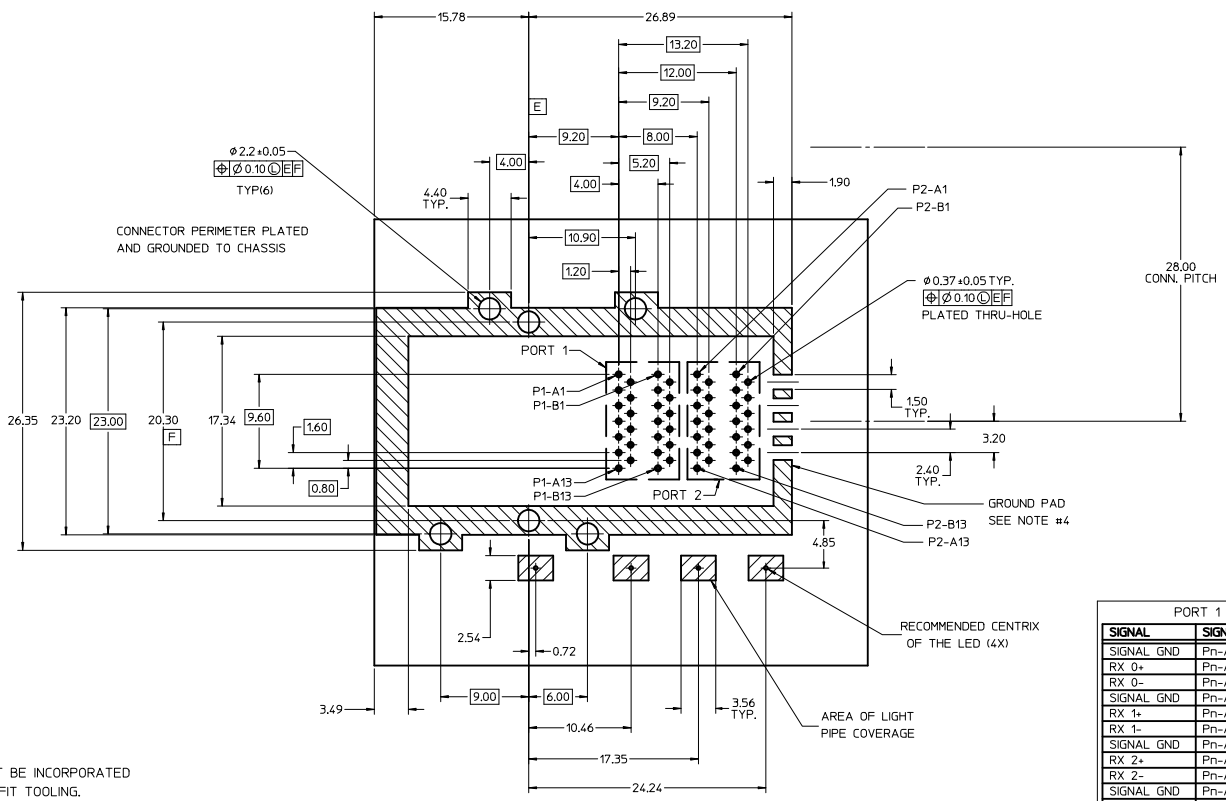
PANEL CUT-OUT

MAXIMUM THICKNESS = 1.50
(NOT SUPPLIED)



ASSEMBLY VIEW

SEE SHEET 1 EIC NO: UCP2012-1063 DRAWN: SROGIEL 2011/10/13 CHKD: APPR: HBANKIS 2011/10/20 REV DESCRIPTION	QUALITY SYMBOLS ▽=0 ▽=0 ▽=0		GENERAL TOLERANCES (UNLESS SPECIFIED) <table border="1"> <thead> <tr> <th></th> <th>mm</th> <th>INCH</th> </tr> </thead> <tbody> <tr> <td>4 PLACES</td> <td>±---</td> <td>±---</td> </tr> <tr> <td>3 PLACES</td> <td>±---</td> <td>±---</td> </tr> <tr> <td>2 PLACES</td> <td>±0.25</td> <td>±---</td> </tr> <tr> <td>1 PLACE</td> <td>±0.25</td> <td>±---</td> </tr> <tr> <td colspan="3">ANGULAR ±1/2°</td> </tr> </tbody> </table>			mm	INCH	4 PLACES	±---	±---	3 PLACES	±---	±---	2 PLACES	±0.25	±---	1 PLACE	±0.25	±---	ANGULAR ±1/2°			DIMENSION STYLE MM ONLY	SCALE 3:1	DESIGN UNITS METRIC	THIRD ANGLE PROJECTION
		mm	INCH																							
	4 PLACES	±---	±---																							
	3 PLACES	±---	±---																							
2 PLACES	±0.25	±---																								
1 PLACE	±0.25	±---																								
ANGULAR ±1/2°																										
DRAFT WHERE APPLICABLE MUST REMAIN WITHIN DIMENSIONS			MATERIAL NO. 75758-000*	DATE 02/05/2008	DATE 02/05/2008	TITLE IPASS STACKED 26/26 CIRCUIT CONNECTOR W/LIGHT PIPES																				
			SIZE D	THIS DRAWING CONTAINS INFORMATION THAT IS PROPRIETARY TO MOLEX INCORPORATED AND SHOULD NOT BE USED WITHOUT WRITTEN PERMISSION			MOLEX INCORPORATED																			
			DOCUMENT NO. SD-75758-001		SHEET NO. 2 OF 3																					



PORT 1		PORT 2	
SIGNAL	SIGNAL PIN	SIGNAL	SIGNAL PIN
SIGNAL GND	Pn-A1	SIGNAL GND	Pn-B1
RX 0+	Pn-A2	TX 0+	Pn-B2
RX 0-	Pn-A3	TX 0-	Pn-B3
SIGNAL GND	Pn-A4	SIGNAL GND	Pn-B4
RX 1+	Pn-A5	TX 1+	Pn-B5
RX 1-	Pn-A6	TX 1-	Pn-B6
SIGNAL GND	Pn-A7	SIGNAL GND	Pn-B7
RX 2+	Pn-A8	TX 2+	Pn-B8
RX 2-	Pn-A9	TX 2-	Pn-B9
SIGNAL GND	Pn-A10	SIGNAL GND	Pn-B10
RX 3+	Pn-A11	TX 3+	Pn-B11
RX 3-	Pn-A12	TX 3-	Pn-B12
SIGNAL GND	Pn-A13	SIGNAL GND	Pn-B13

PIN ASSIGNMENT

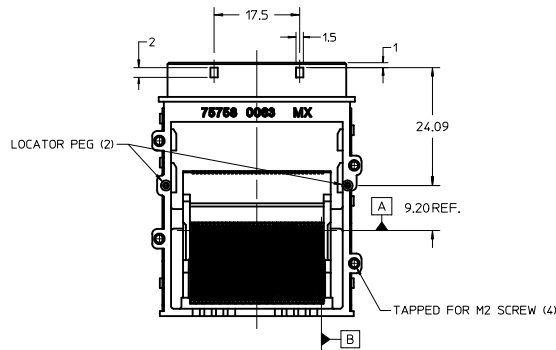
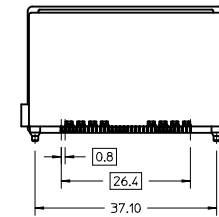
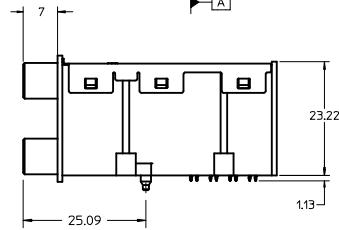
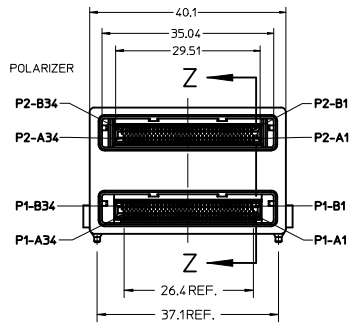
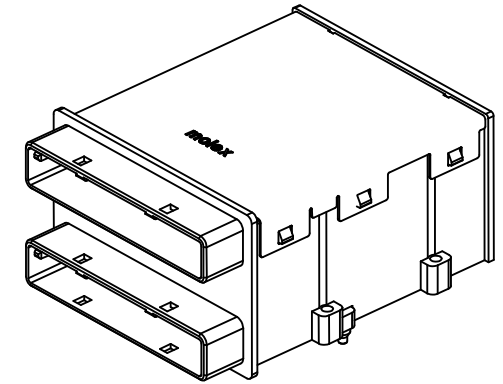
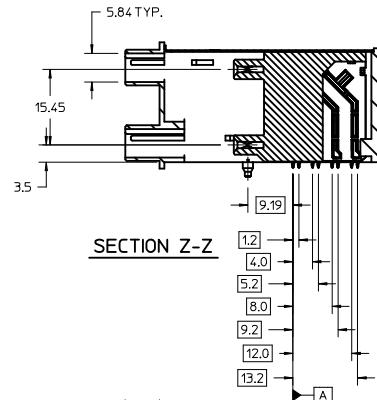
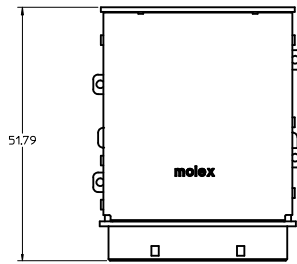
NOTES:

- CROSS-HATCHED AREA MUST BE INCORPORATED IN THE FLAT ROCK PRESS-FIT TOOLING.
- RECOMMENDED LED'S INCLUDE THE FOLLOWING :
DIALIGHT : 597-77x1-5xx SERIES
CHICAGO MINIATURE : 7016 SERIES
KINGBRIGHT : APBL3025 SERIES (BICOLOR)
APL3015 SERIES (SINGLE COLOR)
- LED'S MUST HAVE A MAXIMUM HEIGHT OF 1.4mm AND A MINIMUM HEIGHT OF 0.7mm
- PLATE GROUND PAD WITH EMERSON SILVER OR GOLD.
- RECOMMENDED DRILL SIZE FOR 0.37 ϕ FINISHED PTH IS 0.457 ϕ (#77 DRILL)
- RECOMMENDED ANNULAR RING AROUND 0.37 ϕ FINISHED PTH IS 0.73 ϕ

RECOMMENDED PCB LAYOUT

THICKNESS = 1.35mm MIN.

SEE SHEET 1 EIC NO: UCP2012-1063 DRAWN BY: DRWNSB06EL CHKD: APPR:BNANKIS DATE: 2011/10/20	QUALITY SYMBOLS	GENERAL TOLERANCES (UNLESS SPECIFIED)	DIMENSION STYLE	SCALE	DESIGN UNITS	THIRD ANGLE PROJECTION
	$\nabla=0$	4 PLACES \pm mm \pm INCH	MM ONLY	2:1	METRIC	
	$\nabla=0$	3 PLACES \pm mm \pm INCH				
	$\nabla=0$	2 PLACES ± 0.25 \pm INCH				
		1 PLACE ± 0.25 \pm INCH				
		ANGULAR $\pm 1/2^\circ$				
		DRAFT WHERE APPLICABLE MUST REMAIN WITHIN DIMENSIONS				
			DRAWN BY: JJANTELEZ10	DATE: 02/05/2008	TITLE: IPASS STACKED 26/26 CIRCUIT CONNECTOR W/LIGHT PIPES	
			CHECKED BY: KLANG	DATE: 02/05/2008	MOLEX INCORPORATED	
			APPROVED BY: BANAKIS	DATE: 02/05/2008	MATERIAL NO: 75758-000*	
					DOCUMENT NO: SD-75758-001	
					SHEET NO: 3 OF 3	

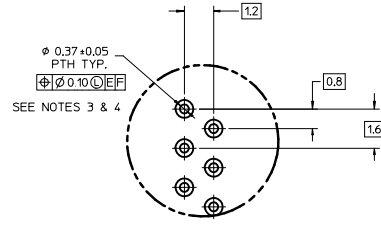


NOTES:

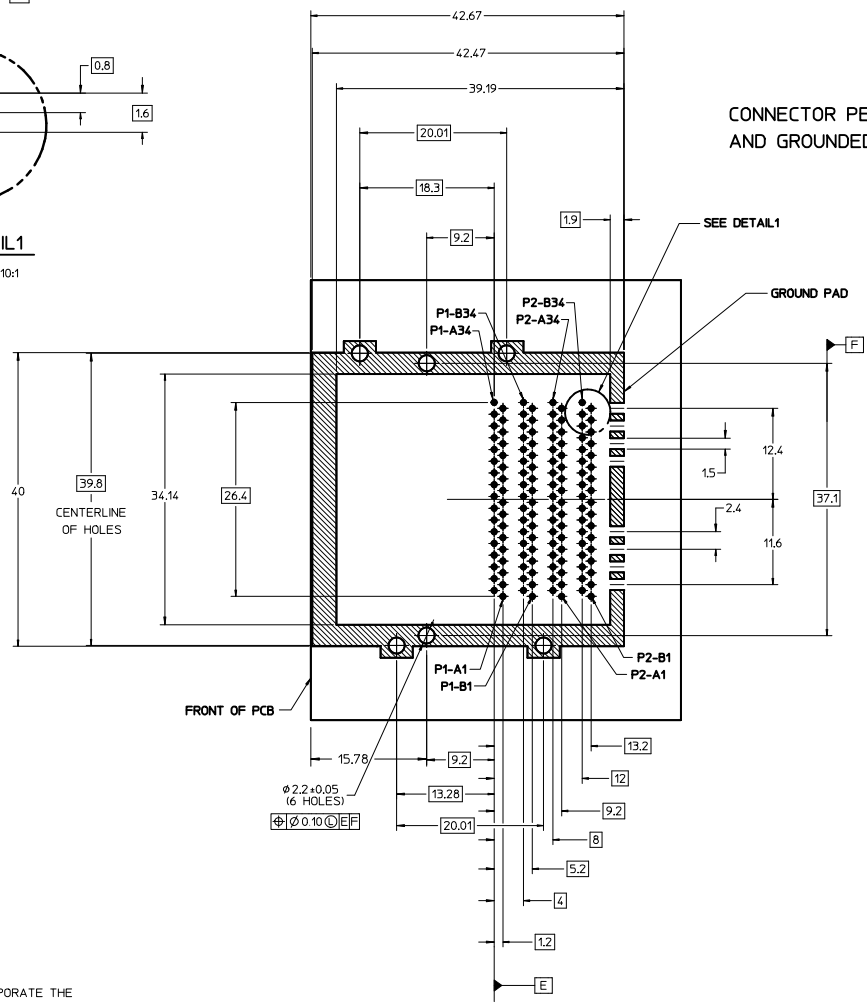
- MATERIAL:
CONNECTOR HOUSING - HIGH TEMPERATURE THERMOPLASTIC
GLASS-FILLED, UL 94V-0,
COLOR: BLACK
EMI HOUSING - DIE CAST ALLOY, NICKEL PLATED FINISH
COVER - STAINLESS STEEL ALLOY
EMI GASKET - CONDUCTIVE POLYMER
- TERMINAL PLATING:
CONTACT AREA - 0.764mm MIN. GOLD OVER 2.544mm MIN. NICKEL.
COMPLIANT TAIL AREA - 0.76-1.524mm TIN/LEAD (90/10) OVER 2.544mm MIN. NICKEL.
TIN: 0.76-1.524mm MIN. MATTE TIN OVER 0.76-1.524mm NICKEL
- PACKAGING SPECIFICATION: TRAY PACK IN CARTON PER PK-75758-9001.
- REFER TO PS-75586-001 PRODUCT SPEC FOR ALL ELECTRICAL, MECHANICAL AND ENVIRONMENTAL SPECIFICATIONS.
- CONNECTOR DESIGNED TO MATE WITH MOLEX CABLE SERIES 74579.
- MOUNTING HARDWARE REQUIRED: M2x8mm CAP SCREWS (4) OR EQUIVALENT, NOT SUPPLIED
MAX. TORQUE .26 N-m//2.3 lbf.-in.

MATERIAL	PLATING
757580303	TIN/LEAD
757580305	TIN

ADDING TIN VERSION EC NO. UCP2011-2783 DRAWN: GONZALEZ01 2011/03/30 CHYD: JANTELZ10 2011/03/30 APPR: MBANK1S 2011/04/14	QUALITY SYMBOLS	GENERAL TOLERANCES (UNLESS SPECIFIED)	DIMENSION STYLE	SCALE	DESIGN UNITS	THIRD ANGLE PROJECTION	
	▼=0 ▽=0	4 PLACES ±--- #--- 3 PLACES ±--- #--- 2 PLACES ±0.25 #--- 1 PLACE ±0.25 #--- ANGULAR ±1/2°	MM ONLY 2:1 METRIC	DRAWN BY: SBOGIEL DATE: 11/18/2008 CHECKED BY: KLANG DATE: 11/18/2008 APPROVED BY: MBANK1S DATE: 11/19/2008	TITLE: ASSEMBLY I-PASS, 8X STACKED STANDARD KEY	MATERIAL NO. SD-75758-303 DOCUMENT NO.	SHEET NO. 1 OF 2
	DRAFT WHERE APPLICABLE MUST REMAIN WITHIN DIMENSIONS						SEE CHART
	THIS DRAWING CONTAINS INFORMATION THAT IS PROPRIETARY TO MOLEX INCORPORATED AND SHOULD NOT BE USED WITHOUT WRITTEN PERMISSION						MOLEX INCORPORATED



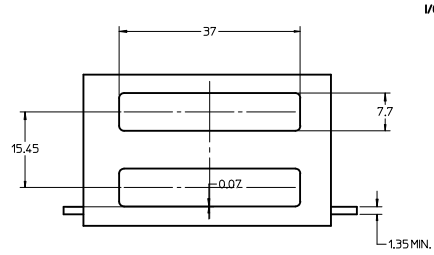
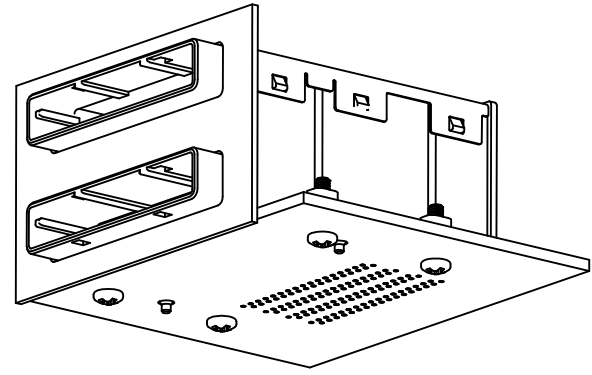
DETAIL1
SCALE: 10:1



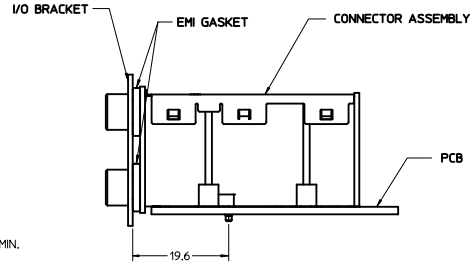
RECOMMENDED PCB LAYOUT

PCB THICKNESS = 1.57mm NOMINAL (1.35mm MIN.)

CONNECTOR PERIMETER PLATED
AND GROUNDED TO CHASSIS



I/O PANEL CUT-OUT
MAXIMUM PANEL THICKNESS: 15mm
SUPPLIED BY CUSTOMER



ASSEMBLED SIDE VIEW

- NOTES:
1. FLAT ROCK TOOLING MUST INCORPORATE THE CONNECTOR PERIMETER DURING SEATING OPERATION.
 2. PLATE GROUND PAD WITH EMERSON SILVER OR GOLD.
 3. RECOMMENDED DRILL SIZE FOR FINISHED 0.37 ϕ PTH HOLES IS 0.457 ϕ .
 4. RECOMMENDED ANNULAR RING AROUND FINISHED 0.37 ϕ PTH HOLES IS 0.73 ϕ .

SEE SHEET 1 IEC NO. UCP2011-2783 DRAWN: GONZALEZ01 2011/03/30 CHKD: JANTELZIO 2011/03/30 APPR: MBANKIS 2011/04/14	QUALITY SYMBOLS	GENERAL TOLERANCES (UNLESS SPECIFIED)	DIMENSION STYLE	SCALE	DESIGN UNITS	THIRD ANGLE PROJECTION
	▽=0 ▽=0	mm INCH 4 PLACES ± --- ± --- 3 PLACES ± --- ± --- 2 PLACES ± 0.25 ± --- 1 PLACE ± 0.25 ± --- ANGULAR ±1/2°	MM ONLY	2:1	METRIC	TITLE: ASSEMBLY I-PASS, 8X STACKED STANDARD KEY DATE: 11/18/2008 DATE: 11/18/2008
	DRAFT WHERE APPLICABLE MUST REMAIN WITHIN DIMENSIONS	APPROVED BY: MBANKIS DATE: 11/19/2008 MATERIAL NO. SEE SHEET 1 DOCUMENT NO. SD-75758-303	DRAWN BY: SBOGIEL DATE: 11/18/2008 CHECKED BY: KLANG DATE: 11/18/2008	MOLEX INCORPORATED SHEET NO. 2 OF 2		