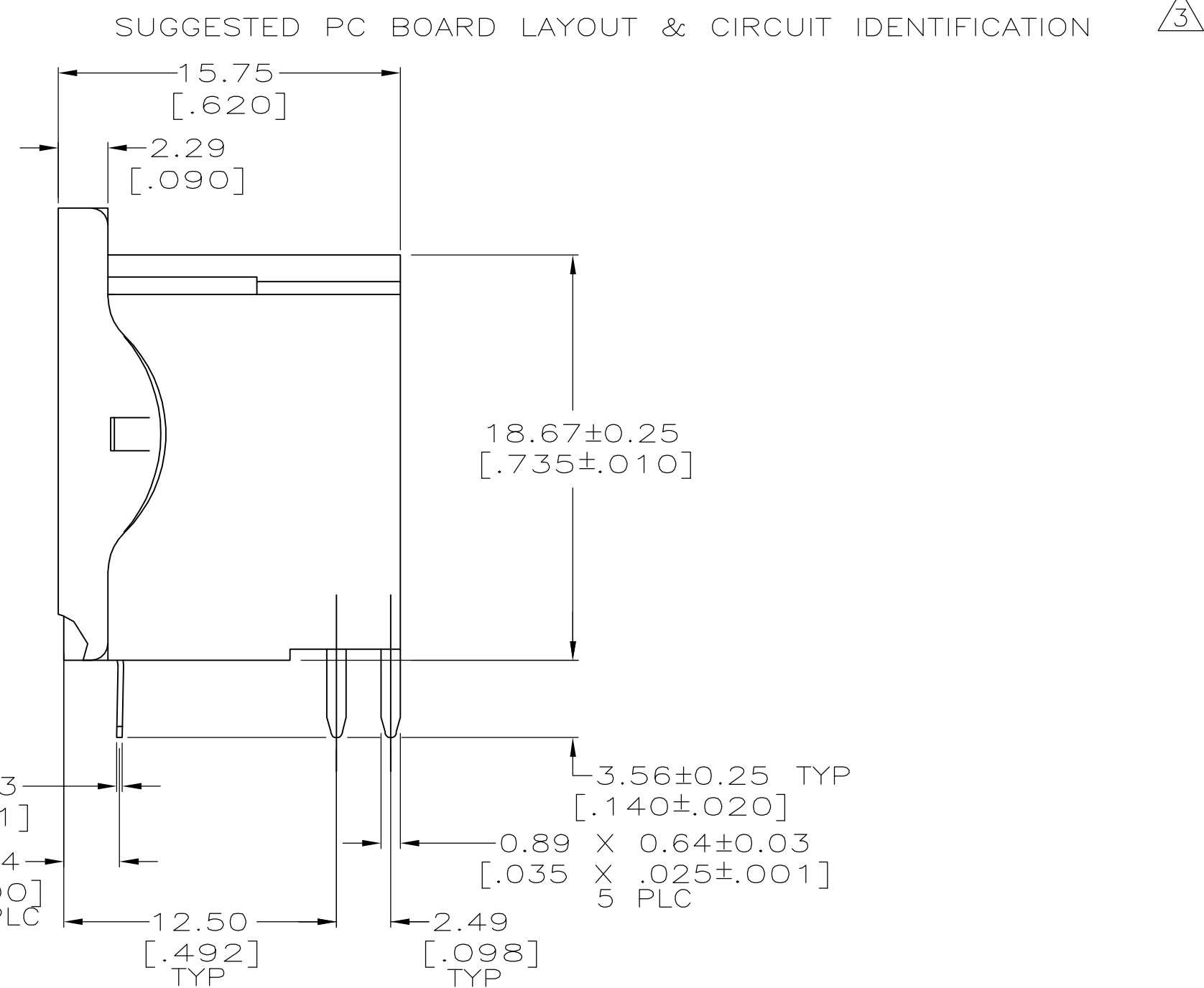
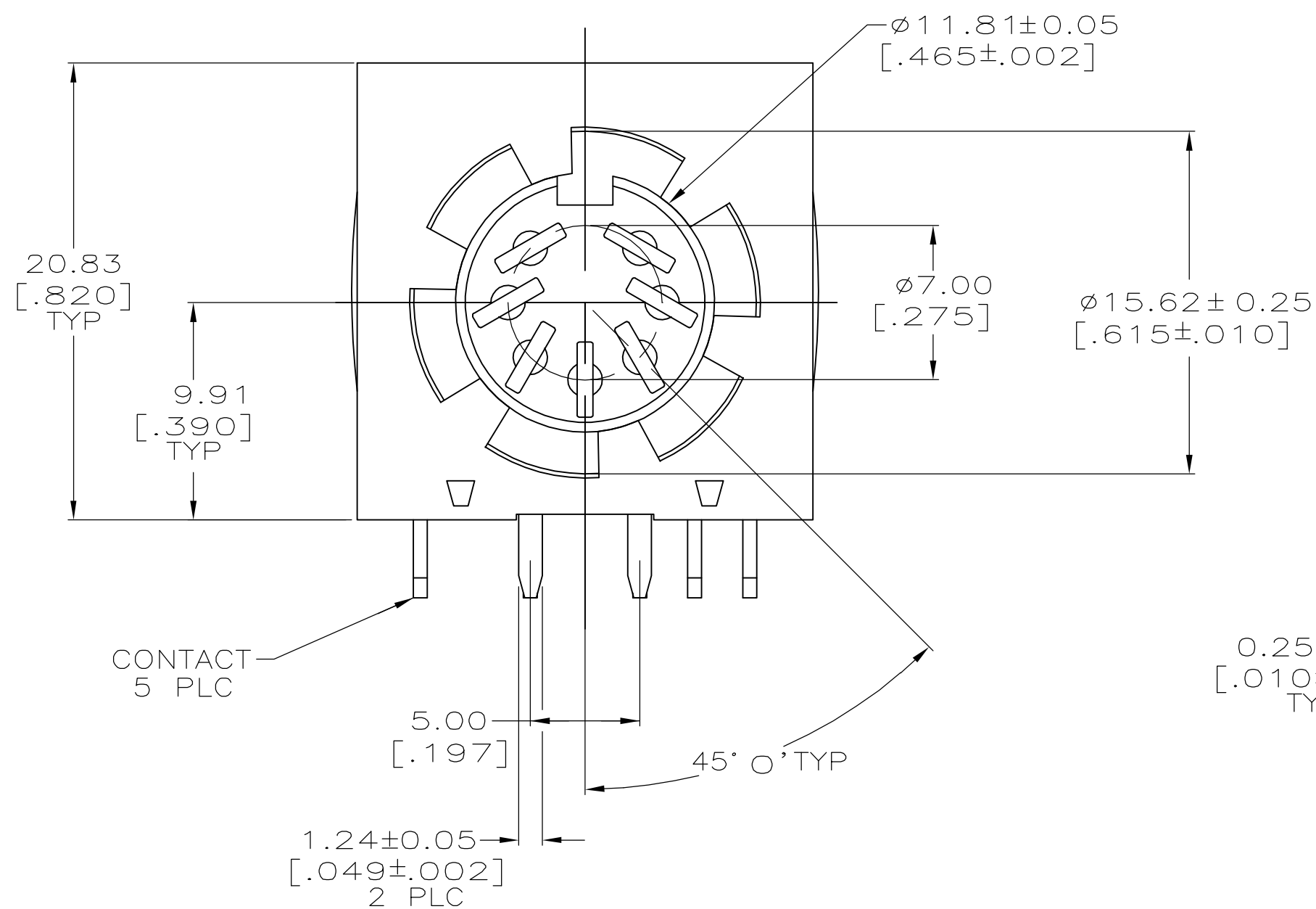
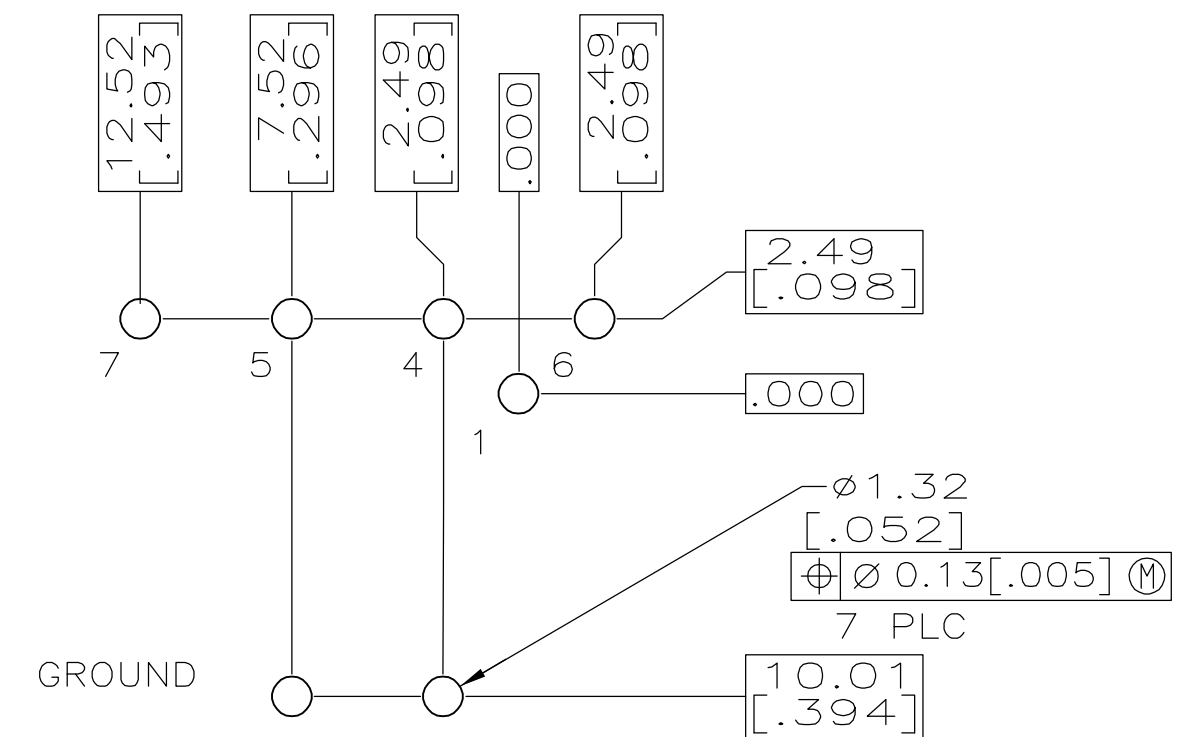
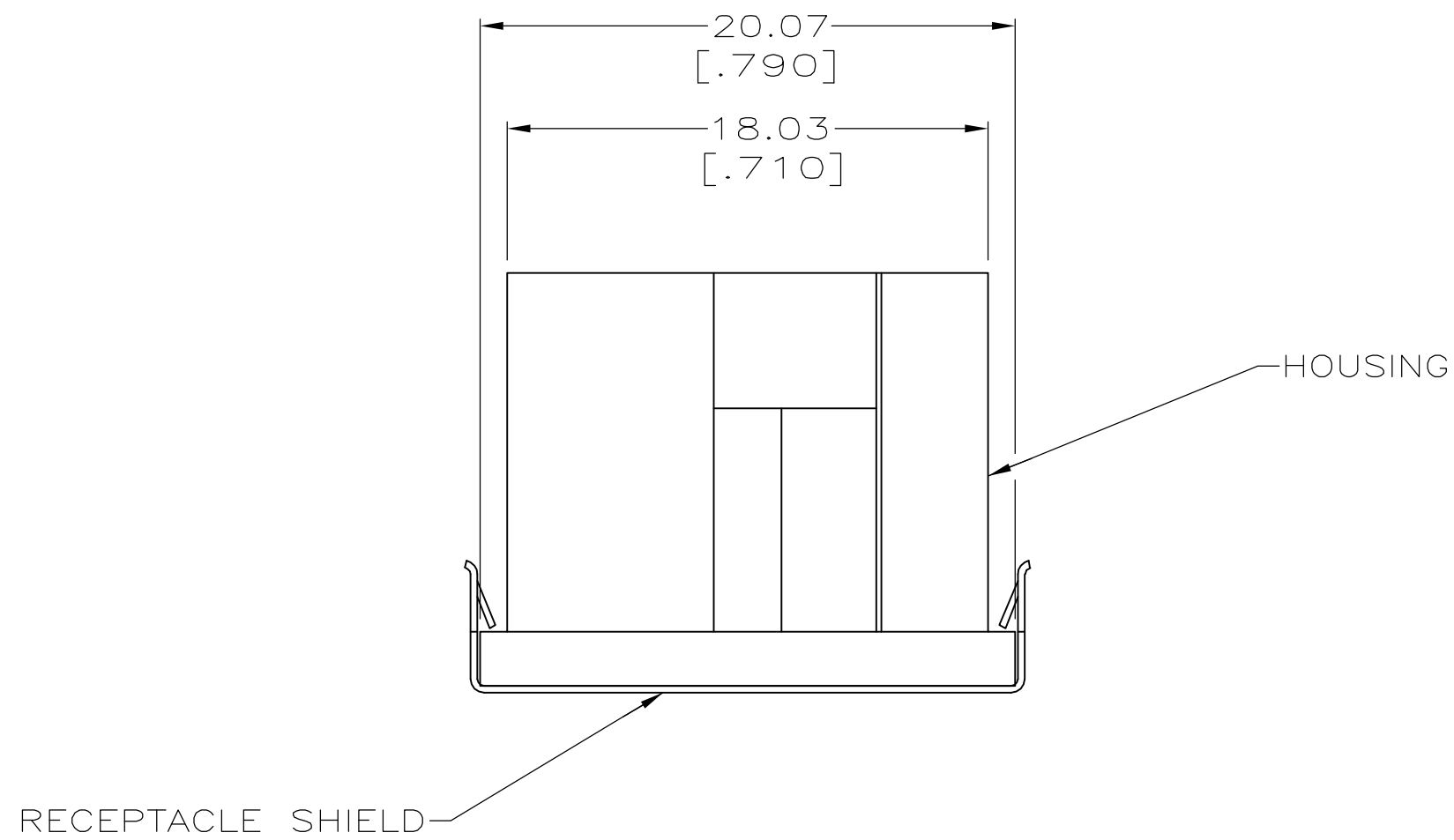


THIS DRAWING IS UNPUBLISHED. RELEASED FOR PUBLICATION  
 © COPYRIGHT BY TYCO ELECTRONICS CORPORATION. ALL RIGHTS RESERVED.

LOC		DIST		REVISIONS			
P	LTR	DESCRIPTION		DATE	DWN	APVD	
GP	00	01		REVISED PER ECO-07-008008	10APR07	JDP/CWR	



- 1 HOUSING: NYLON, UL 94V-0 RATED, BLACK.
- 2 CONTACTS & RECEPTACLE SHIELD: 2.54µm [.000100] MIN TIN OVER 1.27µm [.000050] MIN NICKEL.
- 3 CIRCUIT IDENTIFICATION IS BASED ON THE INDUSTRY STANDARD. THE VIEW OF THE COMPONENT SIDE OF THE PANEL.
- 4 CONTACTS & RECEPTACLE SHIELD: BRASS.
- 5. CIRCUITS 2 AND 3 ARE WITHOUT CONTACTS.

5520841  
 5520841-1  
 PART NUMBER

THIS DRAWING IS A CONTROLLED DOCUMENT.		DWN L. VARELA 11-12-04	 Tyco Electronics Corporation Harrisburg, PA 17105-3608
DIMENSIONS: mm [INCHES]		CHK C. ROHDE 11-12-04	
TOLERANCES UNLESS OTHERWISE SPECIFIED:		APVD M. WALMSLEY 11-12-04	NAME RECEPTACLE ASSY, RIGHT ANGLE, 7 POSITION, SELECT LOADED, SHIELDED, CIRCULAR DIN
0 PLC ± -		PRODUCT SPEC 108-10047	
1 PLC ± -		APPLICATION SPEC 114-40025	SIZE A2
2 PLC ± 0.13 [.005]		WEIGHT -	CAGE CODE 00779
3 PLC ± -		FINISH	DRAWING NO C=5520841
4 PLC ± -			RESTRICTED TO -
ANGLES ± 0° 30'			SCALE 4:1
MATERIAL			SHEET 1 of 1
FINISH			REV 01
CUSTOMER DRAWING			