

# Industrial Grade 10/100 Miniature Media Converters

IE-MiniMc



## PRODUCT FEATURES

- Value-add industrial grade extended temperature performance
- PNP, Auto Negotiation mode
- Auto-Cross feature for the twisted pair port cable
- Stand-alone unit in a small, rugged metal enclosure with a compact, external power supply
- IEEE 802.3af Compliant
- NEMA TS2 (select models)

Measuring less than 3.5 inches deep and 2 inches wide, the IE-MiniMc Series converters are some of the industry's smallest copper-to-fiber media converters, with both data connections on the same side. The IE-MiniMc family of media converters are a fraction of the cost of other industrial grade alternatives. These products provide the ease and convenience of plug-and-play operation with features including Auto Negotiation and Auto-Cross.

Multiple powering options include Power over Ethernet (PoE/PD), AC wall adapter and USB, which offers unsurpassed flexibility for a variety of installations.

## ACCESSORIES

- 806-39105 - DIN Rail Clip
- 806-39638 - Double-USB Power Cable, 36"/.9m
- 806-39650 - 12"/.3m Barrel-Connector Power Cable
- 850-13086 - IE-PowerTray/18-AC (-20°C to +70°C), 18-slot AC powered chassis
- 895-39229 - Wall Mount Bracket
- 806-39753 - IE-Power/5V Module, AC to DC DIN Rail Power Adapter

## ORDERING INFORMATION

MODEL NUMBER	FIBER	FIBER PORTS	RANGE	ETHERNET PORTS	ETHERNET CONNECTOR
<b>IE-MiniMc TP-TX/FX</b>					
855-19720	MM850-ST	1	2 km	1	RJ45
855-19721	MM850-SC	1	2 km	1	RJ45
855-19722	MM1300-ST	1	5 km	1	RJ45
855-19723	MM1300-SC	1	5 km	1	RJ45
855-19724	SM1310/PLUS-ST	1	30 km	1	RJ45
855-19725	SM1310/PLUS-SC	1	30 km	1	RJ45
855-19726	SM1310/LONG-ST	1	80 km	1	RJ45
855-19730	SM1550/LONG-SC	1	80km	1	RJ45
<b>IE-MiniMc TP-TX/FX - NEMA TS2 rated; modular versions without AC adapter</b>					
854-19722	MM1300-ST	1	5 km	1	RJ45
854-19723	MM1300-SC	1	5 km	1	RJ45
854-19724	SM1310/PLUS-ST	1	30 km	1	RJ45
854-19725	SM1310/PLUS-SC	1	30 km	1	RJ45
<b>SINGLE STRAND FIBER *</b>					
855-19750	SSFx-MM1310-SC	1	2 km	1	RJ45
855-19751	SSFx-MM1550-SC	1	2 km	1	RJ45
855-19752	SSFx-SM1310-SC	1	20 km	1	RJ45
855-19753	SSFx-SM1550-SC	1	20 km	1	RJ45
855-19754	SSFx-SM1310/ PLUS-SC	1	40 km	1	RJ45
855-19755	SSFx-SM1550/ PLUS-SC	1	40 km	1	RJ45
855-19756	SSFx-SM1310/ LONG-SC	1	60 km	1	RJ45
855-19757	SSFx-SM1550/ LONG-SC	1	60 km	1	RJ45

\* These products have single-strand fiber technology. Deploy in pairs or connect another compatible B&B IMC LLC single-strand fiber product.

**IE-MiniMc also available in CWDM Fiber. Call for details.**



## IN THE FIELD

### Long Distance Connections in Airport Concourse

Industry: Transaction Management – Retail & Banking  
Product: IE-MiniMc Fiber/Copper Media Converter



[www.bb-elec.com/  
Airport](http://www.bb-elec.com/Airport)

Carrier data charges may apply.

# Industrial Grade 10/100 Miniature Media Converters

IE-MiniMc



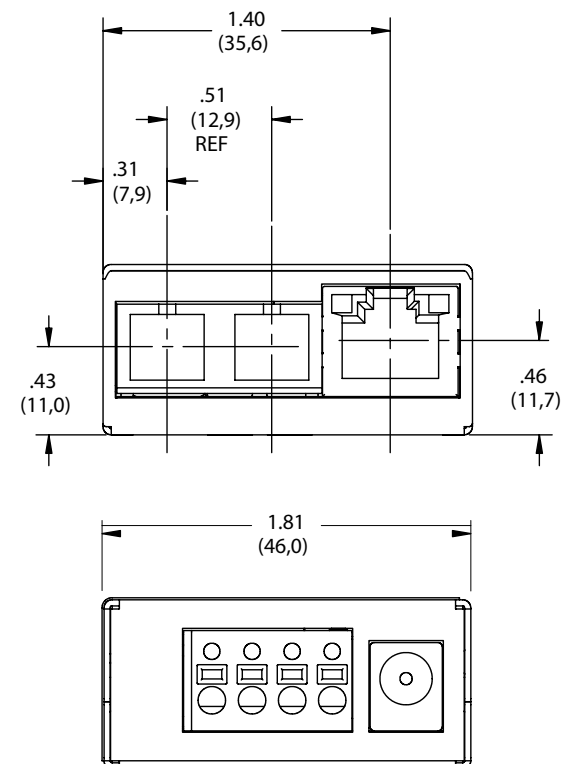
## SPECIFICATIONS

### TECHNICAL

IEEE 802.3 10Base-T twisted pair
IEEE 802.3u 100Base-TX twisted pair
IEEE 802.3u 100Base-FX fiber
IEEE 802.3af Power Over Ethernet
Supports jumbo packets up to 1916 bytes
Plug-and-play operation
RJ45 and ST or SC ports available
50/125µm or 62.5/125µm multi-mode fiber
9/125µm single-mode fiber
Available with single-strand fiber support
Includes terminal DC power block
Country-specific, high-reliability power adapter
Auto Negotiation
Auto-Cross for MDI/MDIX
Layer 2 packet switching, store and forward (forwarding rate: 14,881 pps for 10 Mbps, 148,100 pps for 100 Mbps)
Status LEDs

## MECHANICAL DIAGRAM

(dimensions in inches & millimeters)



### MECHANICAL

Dimensions	0.83"H x 1.80"W x 3.35"D (2.11 x 4.57 x 8.51 cm)
Shipping Weight	0.7 lbs (.317 kg)

### INPUT SPECIFICATIONS

DC Terminal: 7 - 50 VDC, 1A - 0.1A
Barrel Connector: 5 VDC
PoE: Maximum supply voltage is 50V

### ENVIRONMENTAL

Operating Temperature: DC or PoE (PD)	-13° F to 185° F (-25° C to +85° C)
Operating Temperature: AC wall adapter	+14° F to +122° F (-10° C to +50° C)
Storage Temperature:	-31° F to +167° F (-35° C to +75° C)
Operating Humidity	5% to 95% (non-condensing)

### REGULATORY APPROVALS

FCC Class A (using DC terminal or PoE power)
FCC Class B (using any DC jack, optional)
UL/cUL, CSA, CE
NEMA TS2 (select models)

