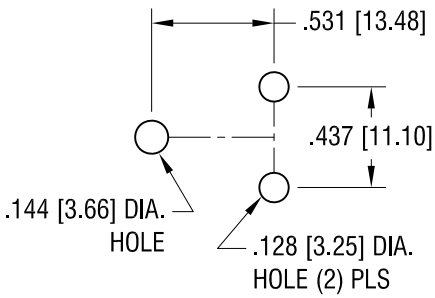
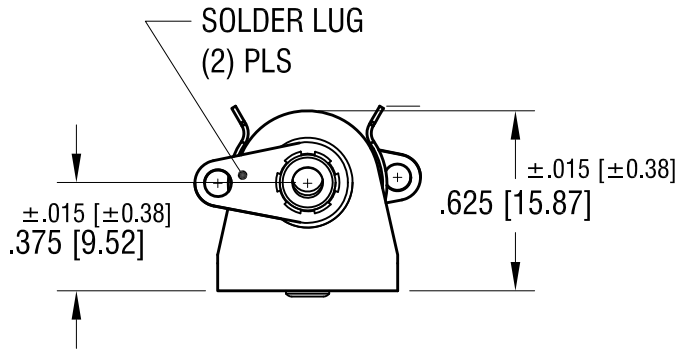
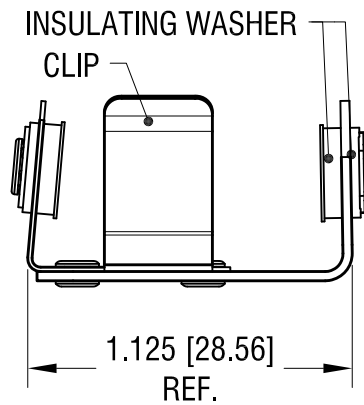
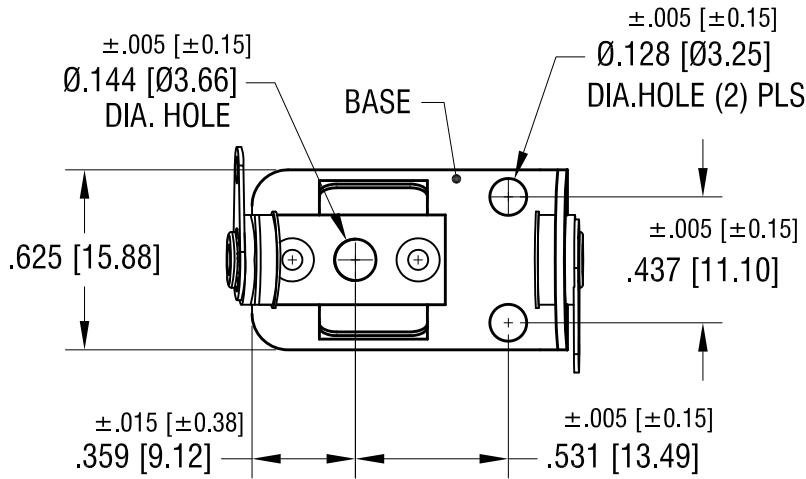
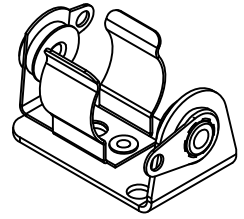


THIS DOCUMENT IS THE PROPERTY OF KEYSTONE ELECTRONICS CORP. AND SHALL NOT BE REPRODUCED, DISTRIBUTED OR USED AS A BASIS FOR MANUFACTURE WITHOUT PRIOR WRITTEN PERMISSION FROM KEYSTONE ELECTRONICS CORP.

**MOUNTING DETAIL**



**ACTUAL SIZE**



**NOTES:**

- 1. BASE: MAT'L - .032 [.81] TH'K STEEL  
FINISH - NICKEL PLATE
- CLIP: MAT'L - .015 [.38] TH'K STEEL  
FINISH - NICKEL PLATE
- TERMINAL LUG: MAT'L - .016 [.41] TH'K BRASS  
FINISH - TIN PLATE

**KEYSTONE ELECTRONICS CORP.**

www.keyelco.com • ASTORIA, N.Y. 11105-2017 • Tel (718) 956-8900

PART NAME  
**INSULATED BATTERY HOLDER, '1/2AA'**

MATERIAL  
**AS NOTED**

FINISH <b>AS NOTED</b>	DRN BY	BOONE	DATE	6.4.07
	APP'D	LN	SCALE	1.5X

TOLERANCES	INCH	[MM]	CODE	DWG NO.
DECIMAL	± .010	[± 0.25 ]	C	1103
ANGULAR	± 1°	UNLESS OTHERWISE SPECIFIED		

12.10.13	CHANGE AS PER ECN 13-112	B
7.20.10	CHANGE AS PER ECN 10-055	A
DATE	DESCRIPTION	REV.