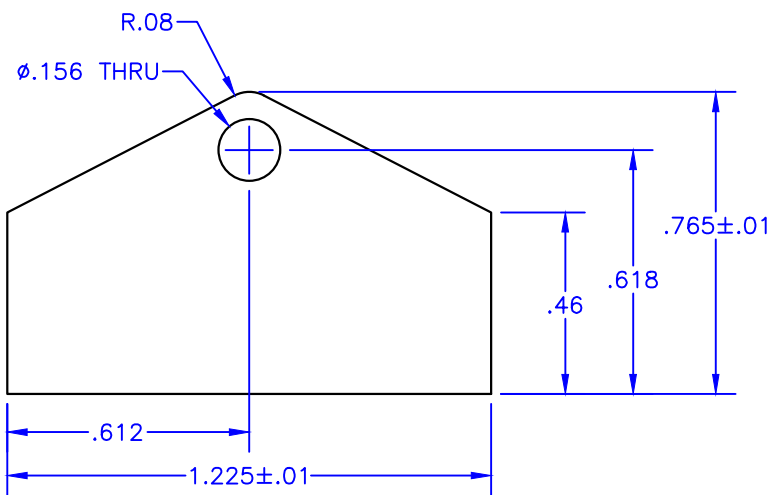


4

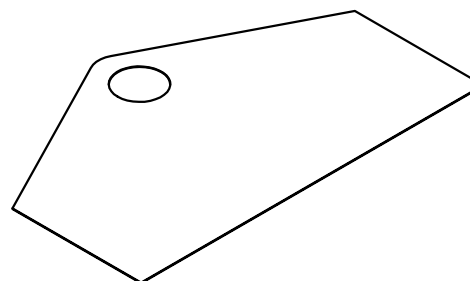
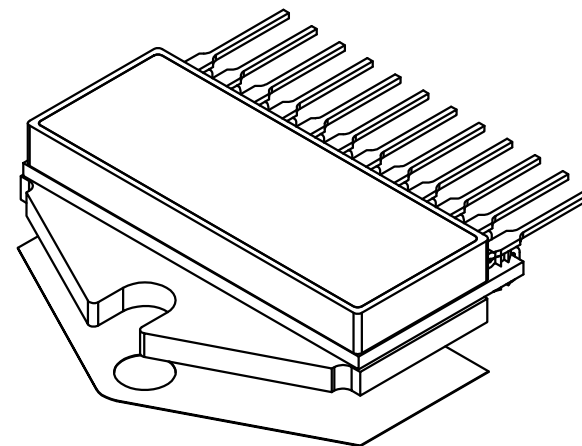
3

2

1



.003
See Notes 2 & 3.



NOTES:

1. Unless otherwise noted, all dimensions are in inches.
2. Foil Material: .002 thick 1145 aluminum
3. Interface Material: .0005 thick phase-change thermal compound, both sides.
Maximum shipping & storage temperature - 40°C
Reflow temperature - 60°C
Maximum recommended service temperature - 200°C
4. Thermal impedance: .030 °C/W-in² (.194 °C/W-cm²) @ 20psi
5. Used with 12-pin PSIP packages (Apex designators: DP, ED, EE & EQ).

| |
|---|
| TOLERANCES - UNLESS OTHERWISE SPECIFIED |
| .XX = ±.01 [.254] |
| .XXX = ±.005 [.127] |
| ANG. = ±5° |



| | | | | | | | |
|-----------|----------------------|------|-------|-----|-----------|---------|-------|
| TITLE: | THERMAL WASHER, PSIP | | | | MODEL: | TW07 | |
| SUBJECT: | MECHANICAL DRAWING | | | | ENGINEER: | K.GOPP | DATE: |
| ENGINEER: | J.FAY | DCA: | 16270 | SH: | 1 | OF: | 1 |
| FILENAME: | TW07 | | REV: | I | DATE: | 11JUL16 | |

4

3

2

1

D

D

C

C

B

B

A

A