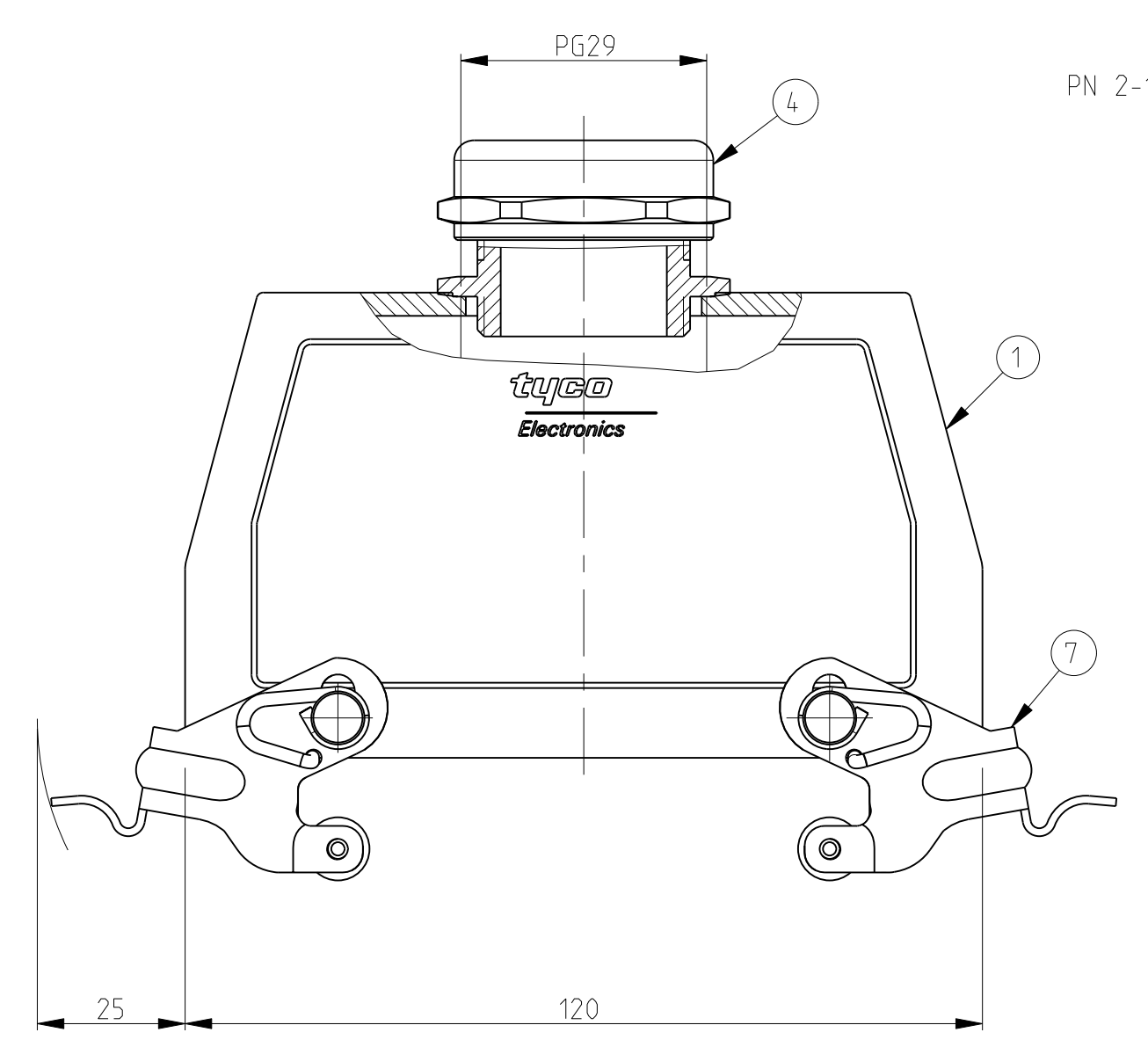
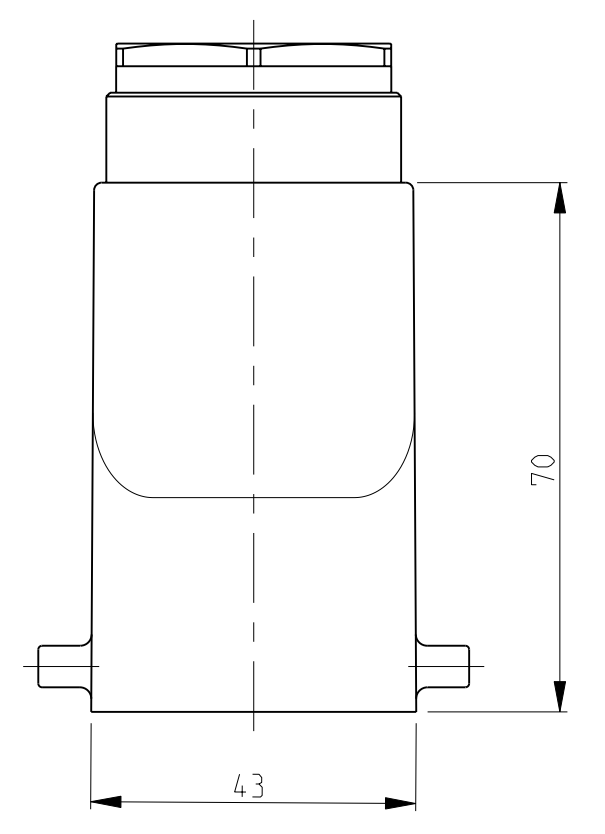
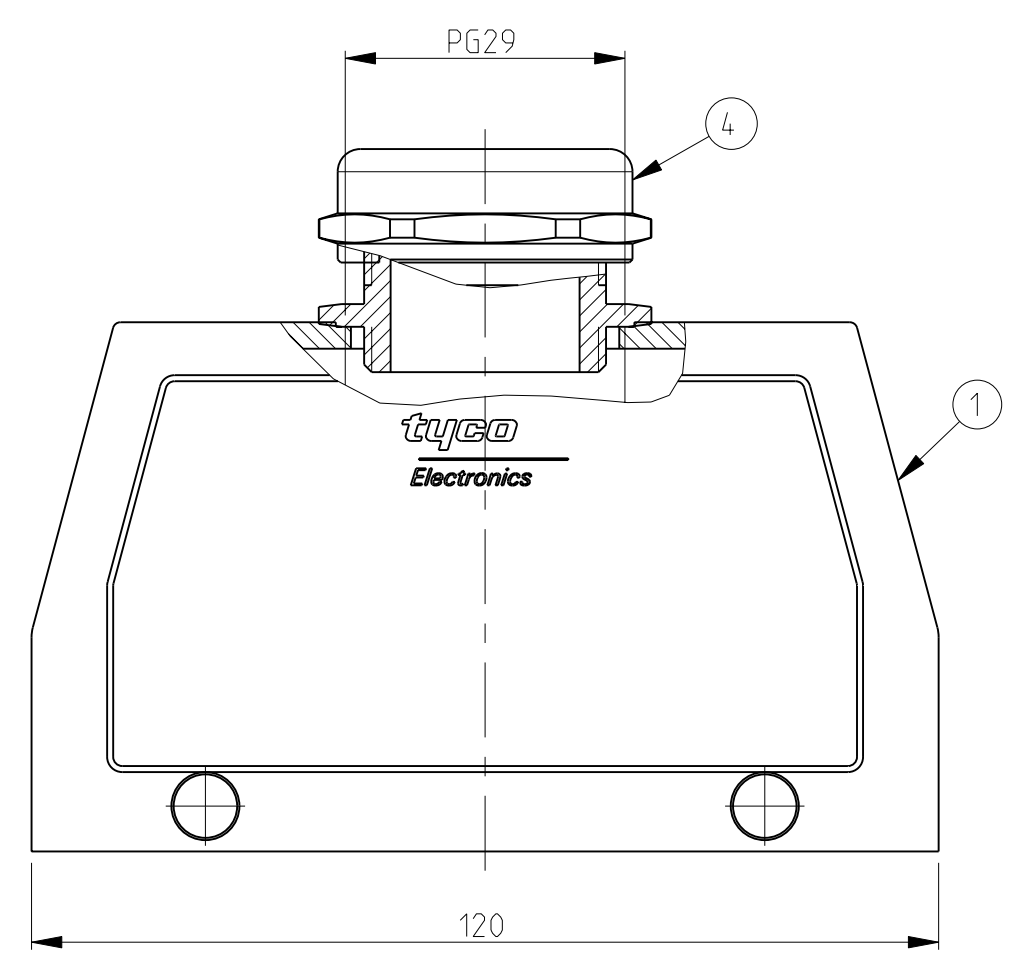
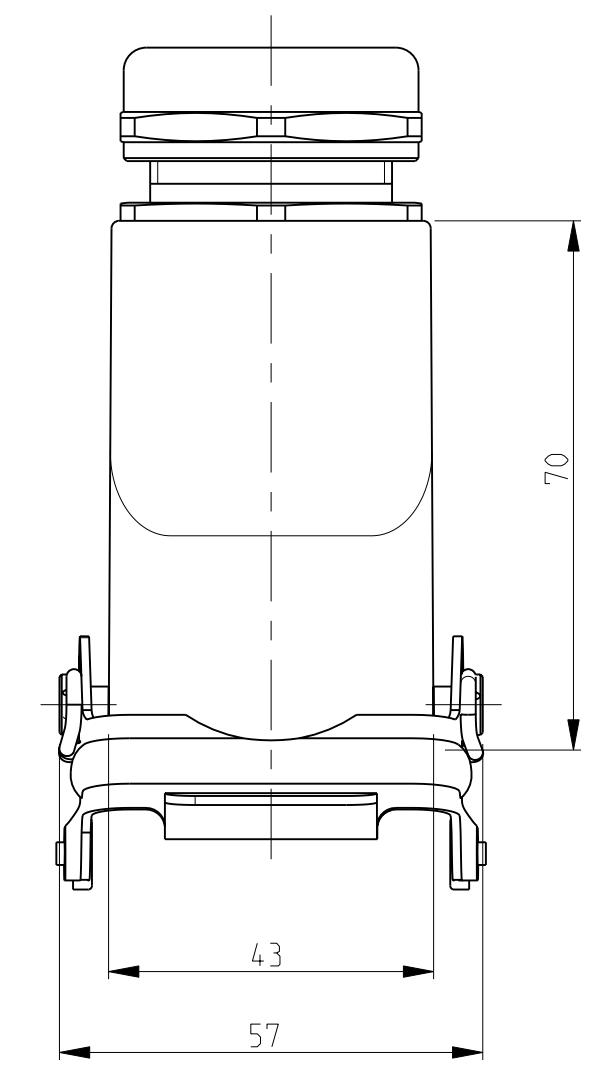


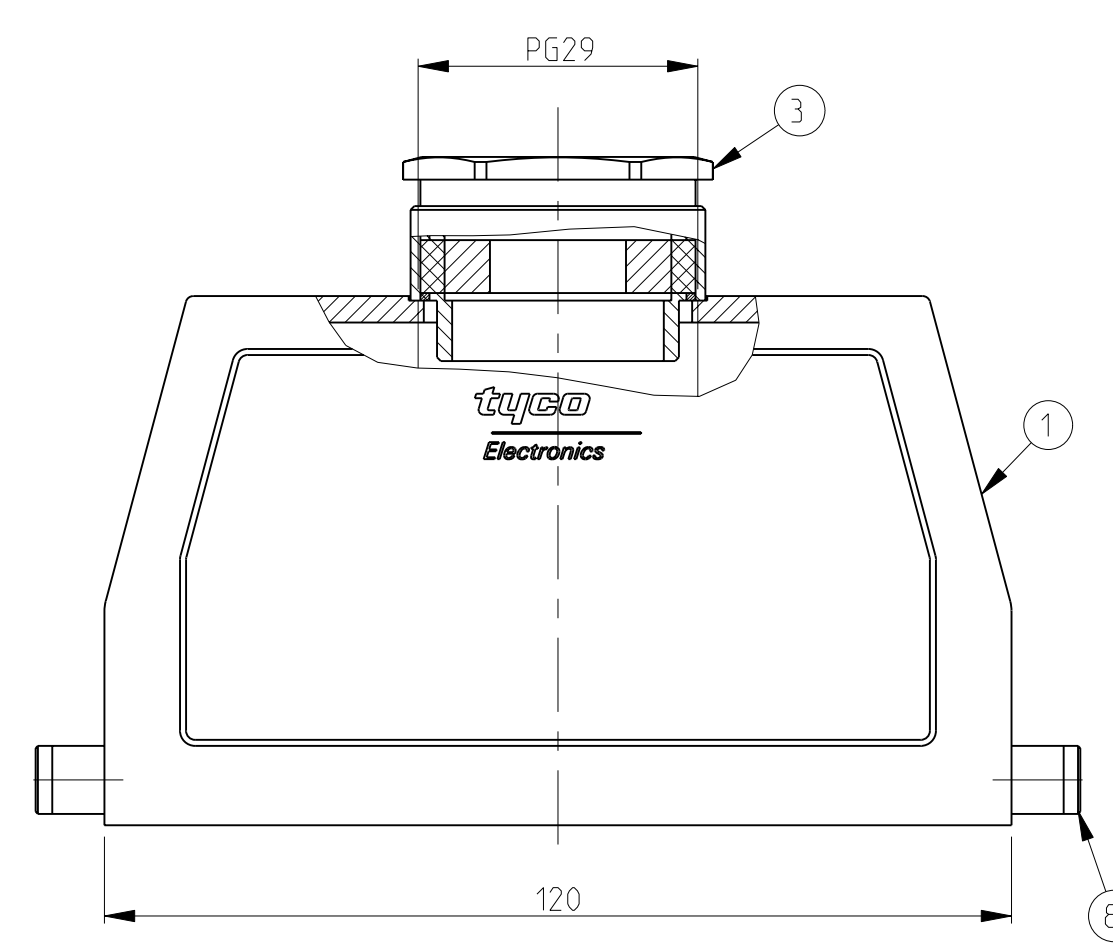
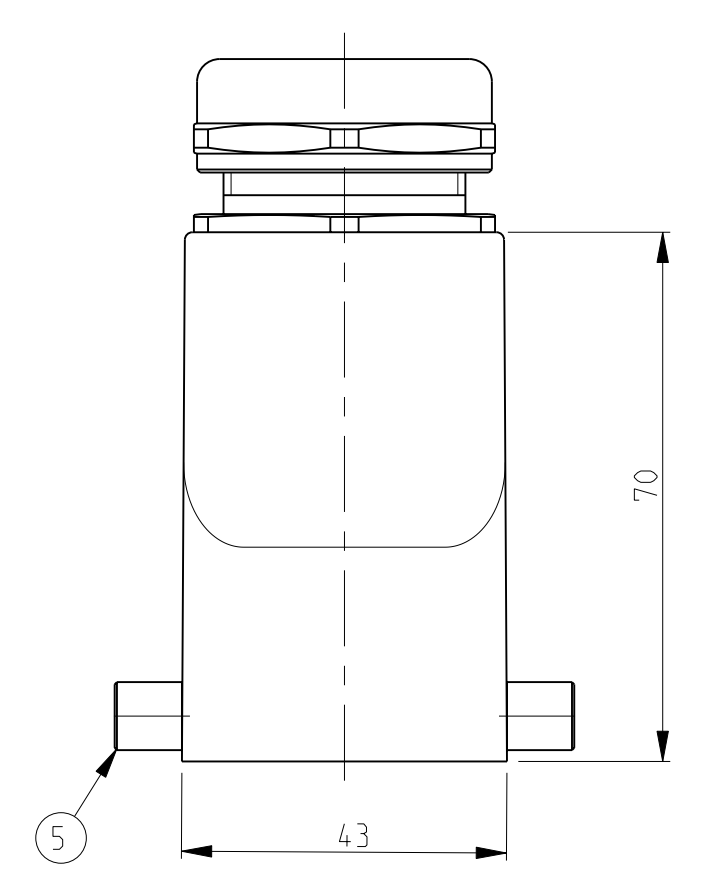
PN 1-6



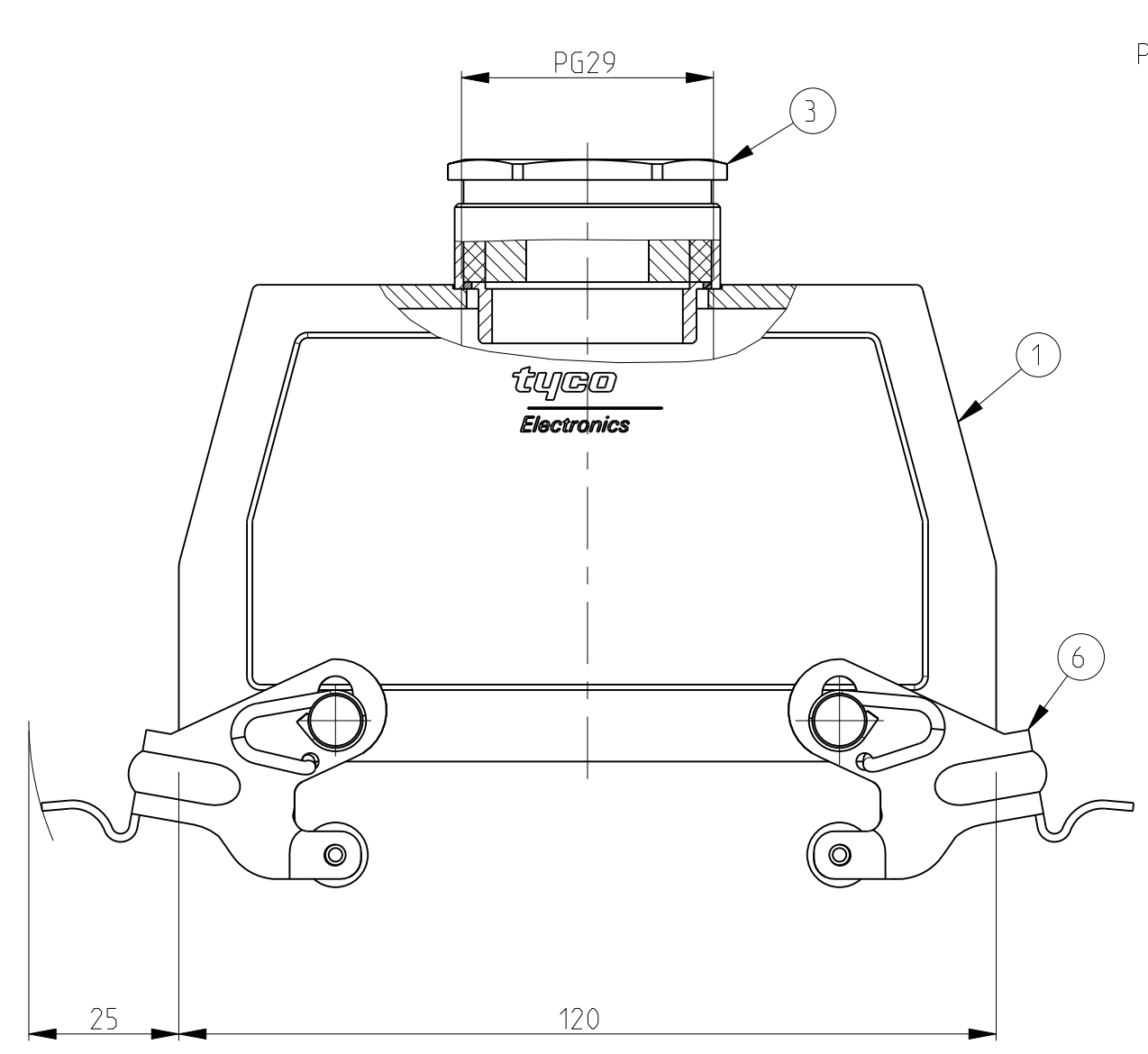
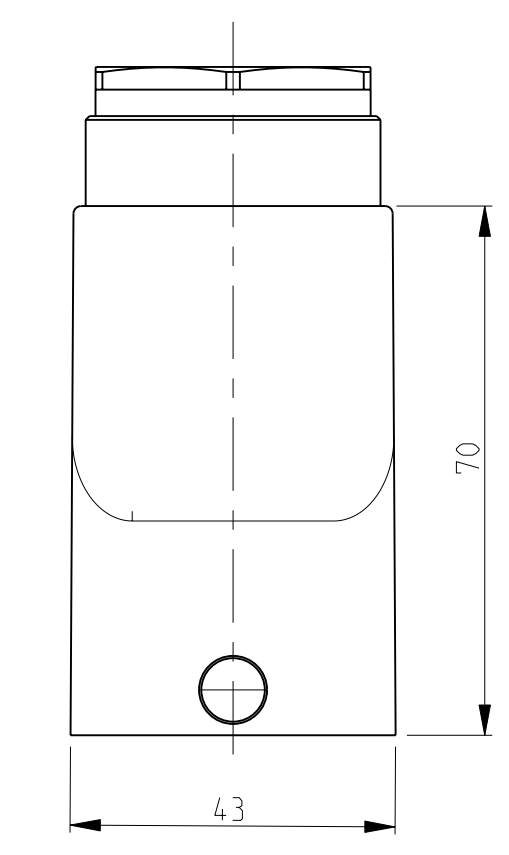
PN 2-1



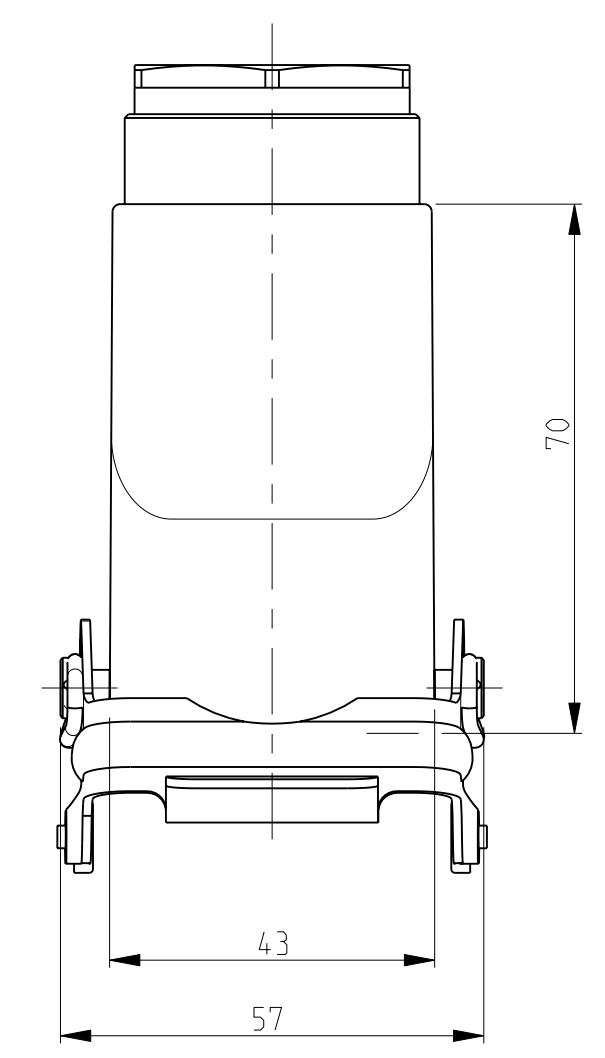
PN 2-6



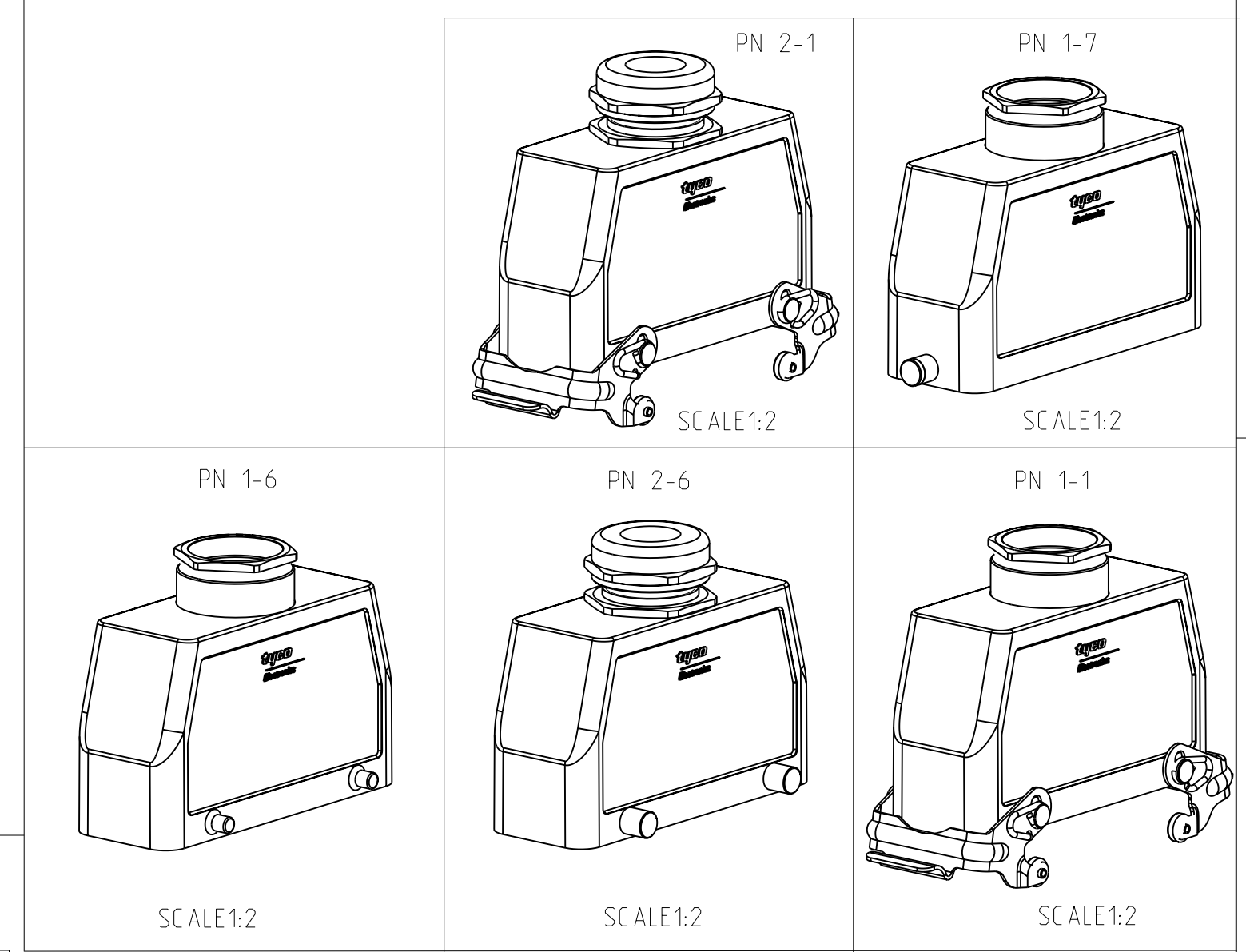
PN 1-7



PN 1-1



- NOTES.
- 1 Material:Housing:Aluminium Diecasting Alloy
 - 2 Surface:Varnish grey
 - 3 Varnish on the inside not necessary
 - 4 Packaging Quantity 5 Pieces in a box



QTY	DESCRIPTION	MATERIAL	SURFACE	COLOR	ITEM NO	REMARKS
1	ZB-Central clip	Stainless steel	-	Blue	11	
1	ZB-Central clip	Steel	Zinc plated	Blue	10	
2	LB-Clip bolt	Stainless steel	-	Blue	9	
2	LB-Clip bolt	Steel	Zinc plated	Blue	8	
2	VS-Side clip	Stainless steel	-	Blue	7	
2	VS-Side clip	Steel	Zinc plated	Blue	6	
4	VS-Clip bolt	Stainless steel	-	Blue	5	
1	HUT-Gland fitting Pg29	Brass	Nickel plated		4	
1	PG-Gland fitting Pg29	Brass	Nickel plated		3	
1	Hood HB.24.Pg.1.29	Aluminium	Aluminium oxide	Black	2	
1	Hood HB.24.Pg.1.29	Aluminium	-	Grey	1	
2-3	DESCRIPTION	MATERIAL	SURFACE	COLOR	ITEM NO	REMARKS
ORDERING TEXT						
HB.24.Sto.1.29						
HB.-K.24.Sto.1.29						
HB24.Sto-VS.1.29						
HB.-K.24.Sto-VS.1.29						
HB.24.Sto-GR.1.29						
HB-K.24.Sto-GR.1.29						
HB-Z.24.Sto-ZB.1.29						

THIS DRAWING IS UNPUBLISHED. RELEASED FOR PUBLICATION 1997. BY TYCO ELECTRONICS CORPORATION, ALL RIGHTS RESERVED.

DIMENSIONS: mm

TOLERANCES UNLESS OTHERWISE SPECIFIED:
 0 DIM 90-100 ±0.10
 1 PLC ±0.15
 2 PLC ±0.20
 3 PLC ±0.25
 4 PLC ±0.30
 ANGLES ±0.5

MATERIAL: - FINISH: -

DWN: Schwieger 17.07.1997
 CHK: Schnutfeil 17.07.1997
 APVD: -

PRODUCT SPEC: 108-74001
 108-74003
 APPLICATION SPEC: 114-74001
 114-74004

WEIGHT: -

CUSTOMER DRAWING

NAME: Hood HB.24

SIZE: A CAGE CODE: 00779 DRAWING NO: C=1102326

RESTRICTED TO: -

SCALE: 1:1 SHEET: 1 OF 1 REV: B4