

PART NAME

HAND HAND BOX (STYLE N)

PART No.

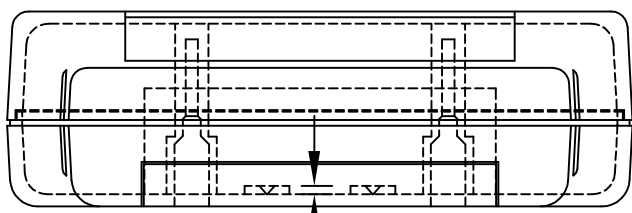
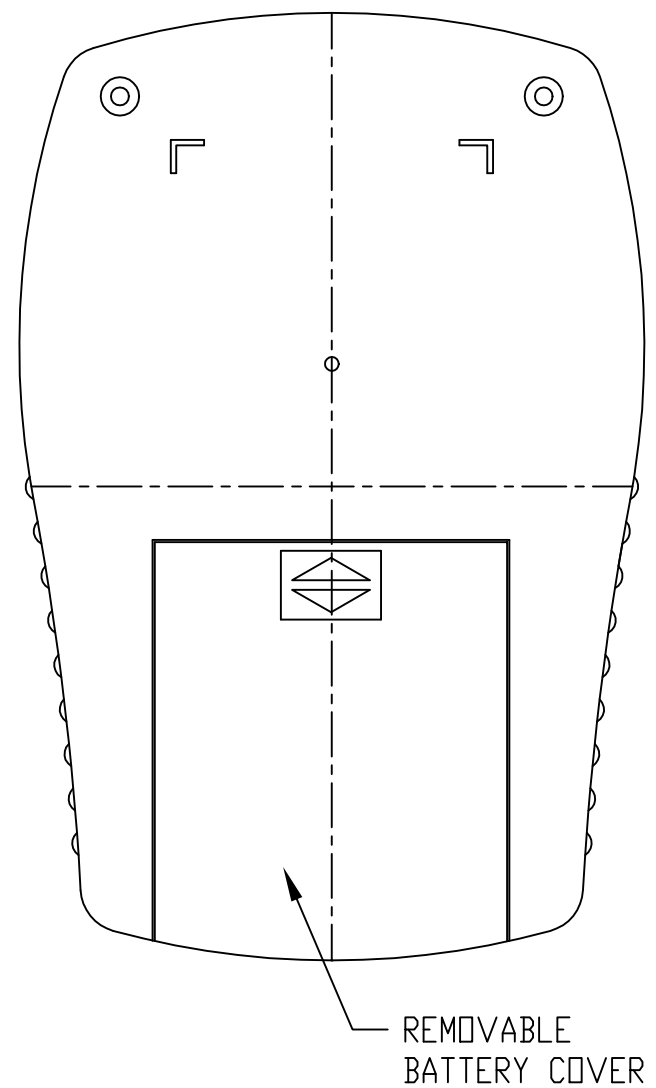
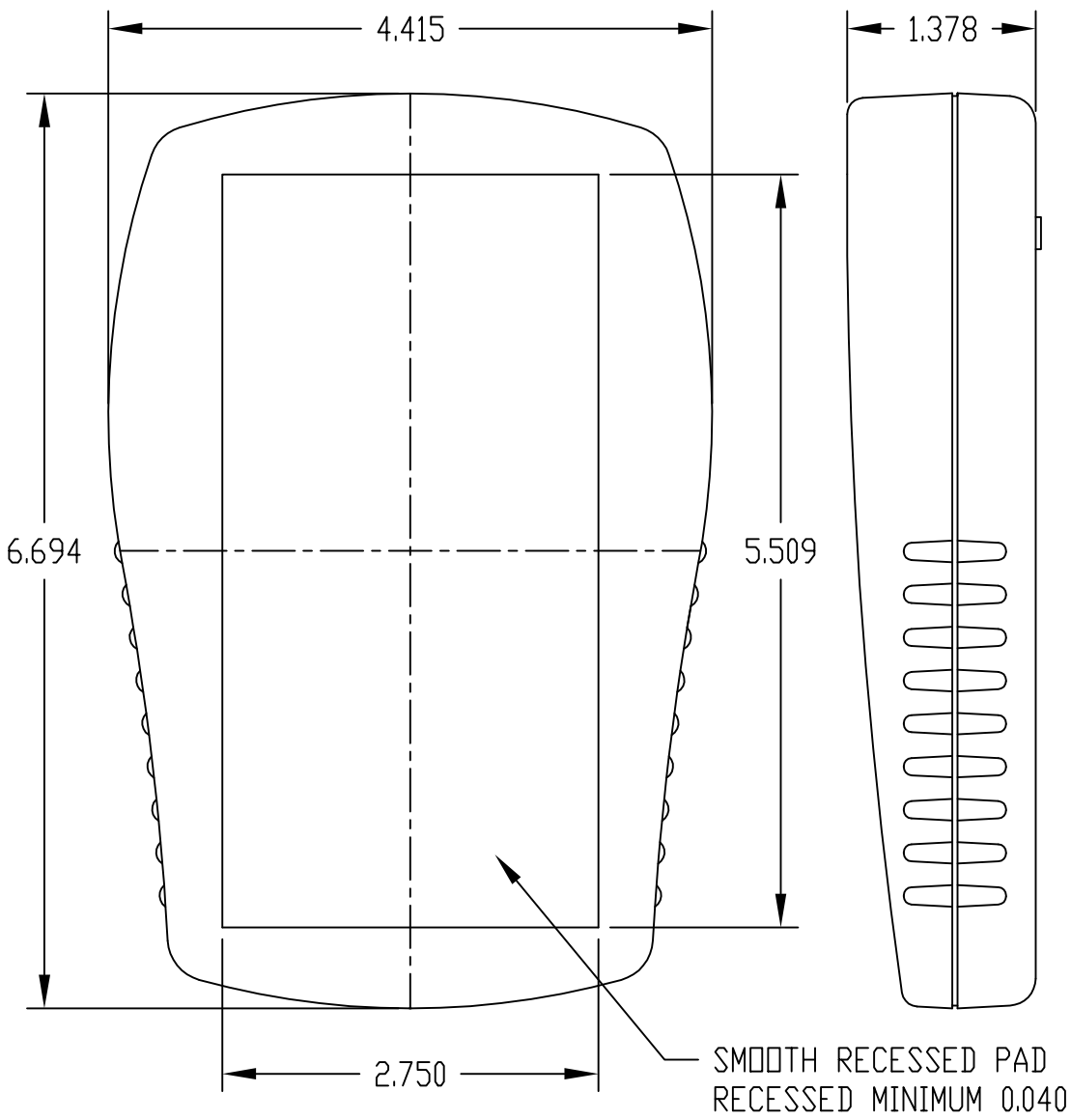
HH-3610-BC

REV. DATE

8-27-08

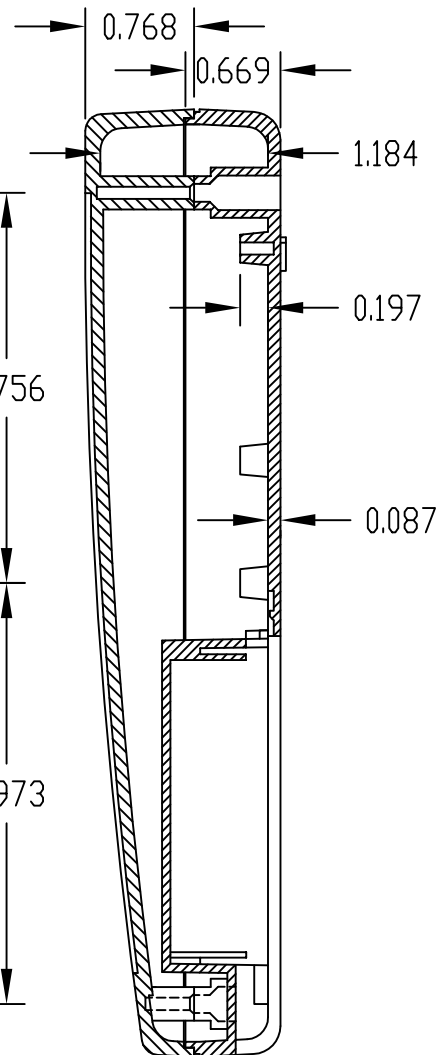
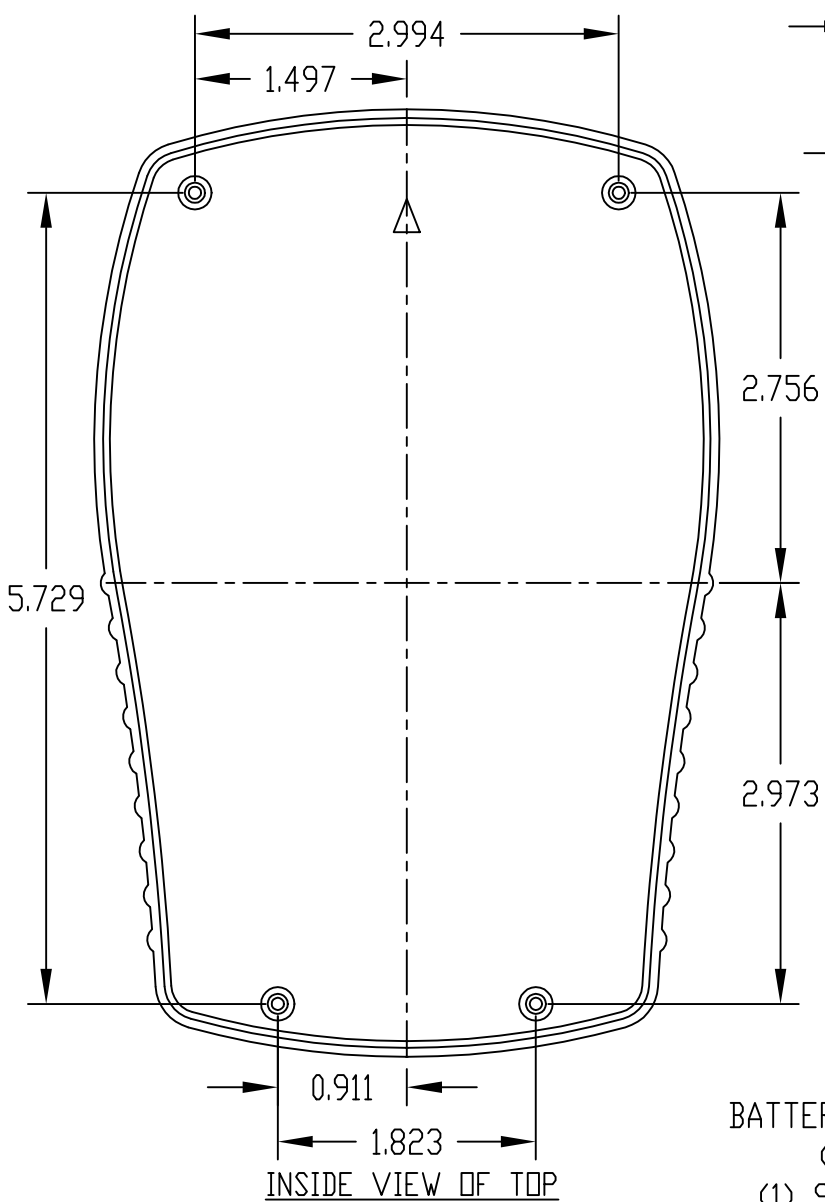
MATERIAL: HIGH IMPACT ABS WITH UL94V-0 FLAMMABILITY RATING  
FINISH: TEXTURED BLACK

ALL DIMENSIONS HAVE ±0.015 TOLERANCE  
FOUR (4) M3 x 1/2" LG. FLAT HD. STAINLESS STEEL SCREWS SUPPLIED FOR ASSEMBLY



0.236 DIA. BOSS WITH 0.087 DIA. HOLE (4) PLACES

NOTE: MOUNTING BOSSES USE EITHER M2.5 METRIC OR #4 STD. SHEET METAL SCREWS x 3/16" LG. (NOT SUPPLIED)



BATTERY COMPARTMENT ACCEPTS (2) OR (4) AA, (1) 9V, OR (1) 9V AND (2) AA BATTERIES

